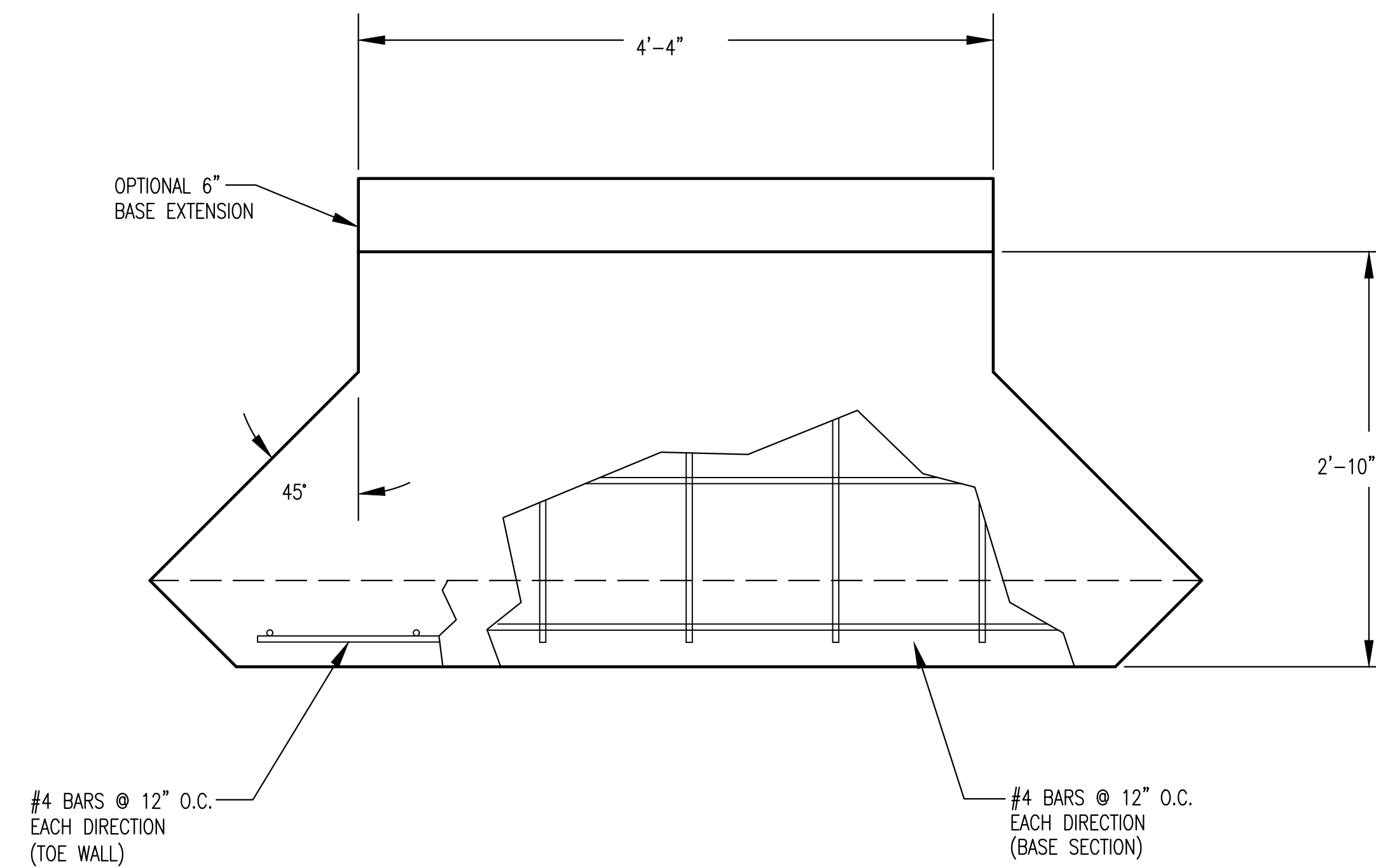
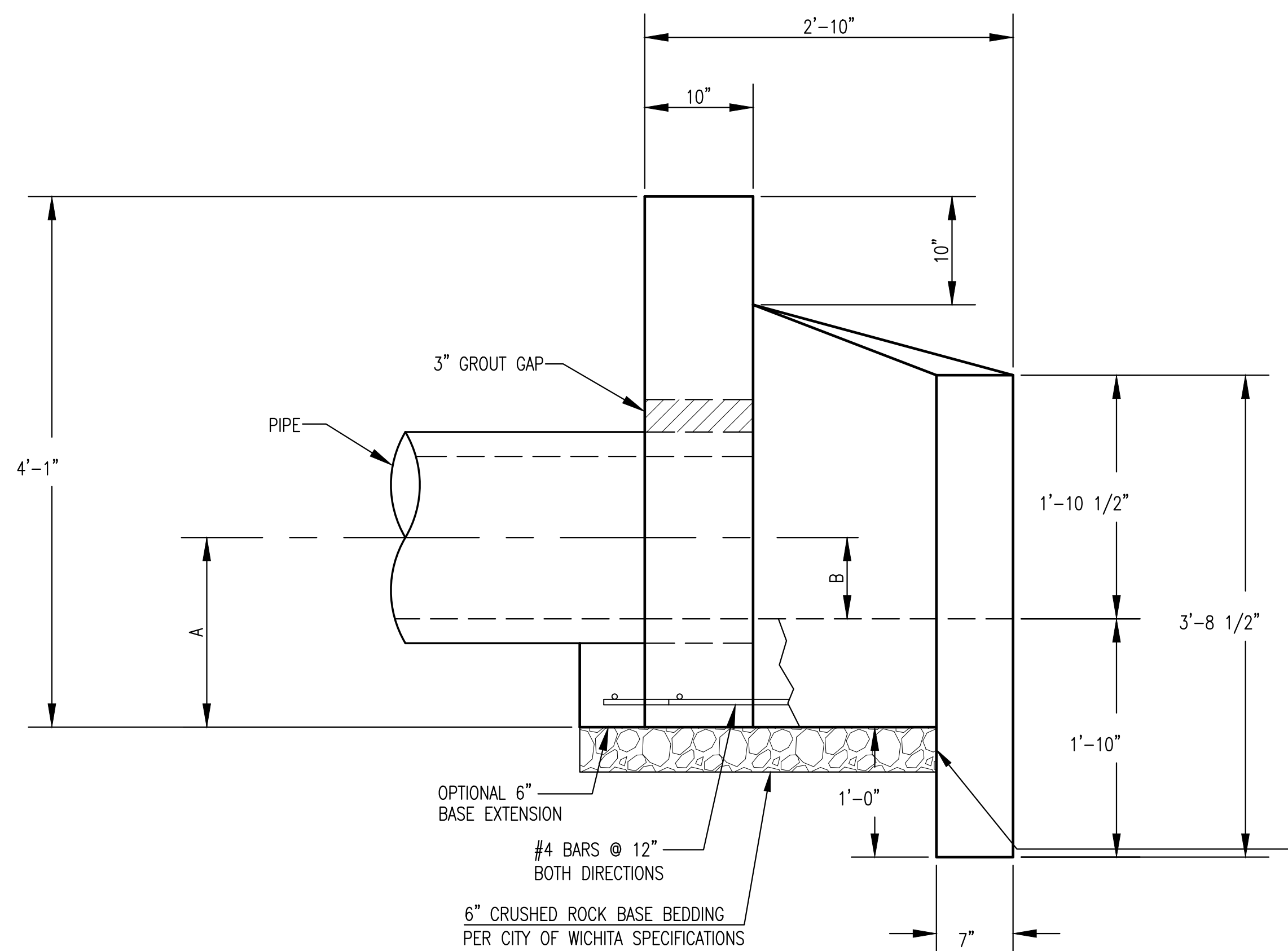


PLAN VIEW

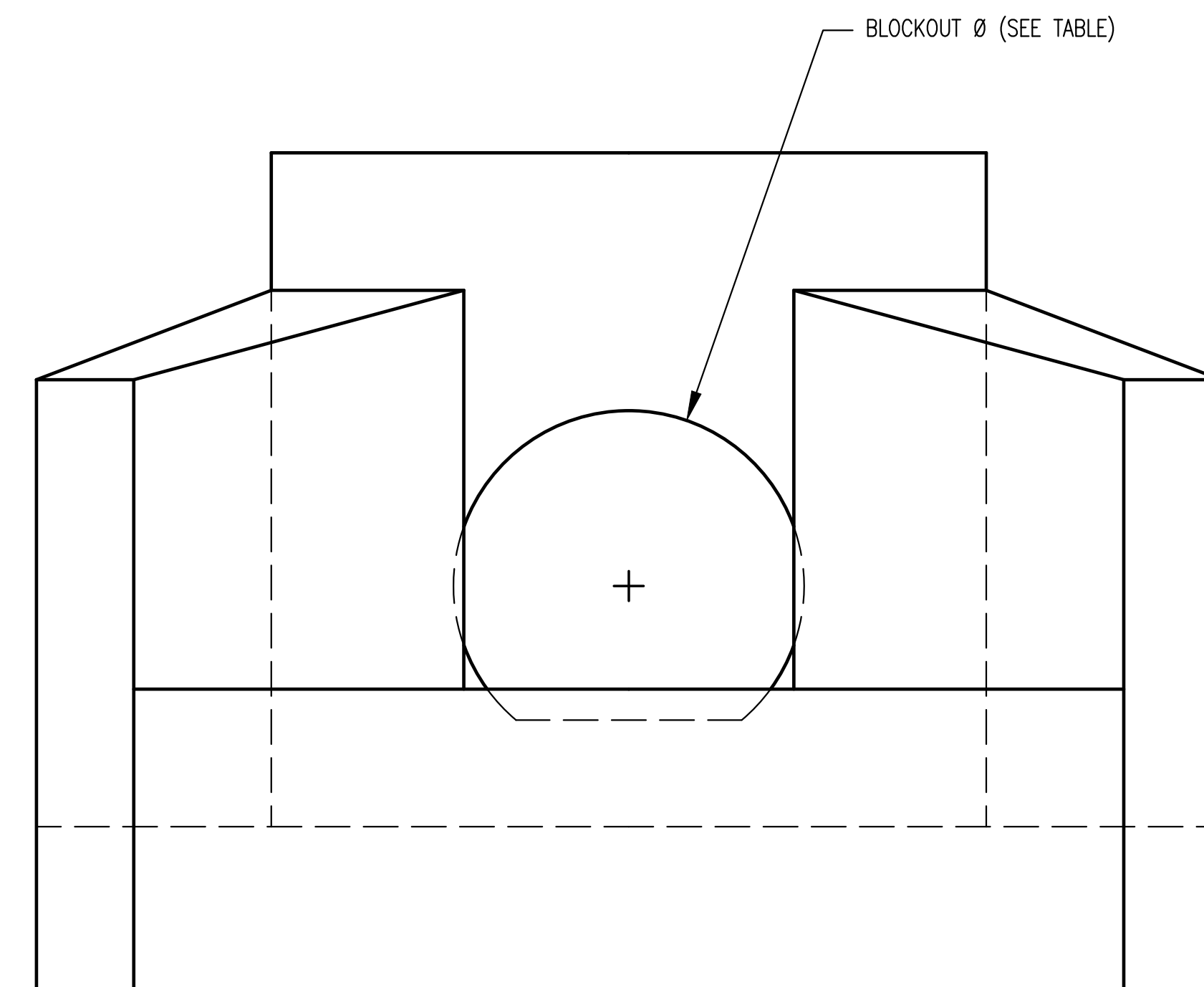


PLAN VIEW
BASE

PIPE Ø	A	B	BLOCKOUT Ø
15"	1'-5 1/2"	7 1/2"	2'-1 1/2"
18"	1'-7"	9"	2'-5"
24"	1'-10"	1'-0"	3'-0"



ELEVATION



FRONT VIEW

HEADWALLS, AS SHOWN, WILL NOT SUPPORT FLAP GATE.



HEADWALL DETAILS FOR 15", 18", AND 24" PIPE		
CITY ENGINEER GARY L. JANZEN, P.E.		
PROJECT NUMBER 482-11034	OCA NUMBER	DATE JULY 2021
CITY ENGINEER'S OFFICE CITY HALL - SEVENTH FLOOR 455 NORTH MAIN STREET WICHITA, KANSAS 67202-1620 (316) 268-4501		SHEET 15 OF 31