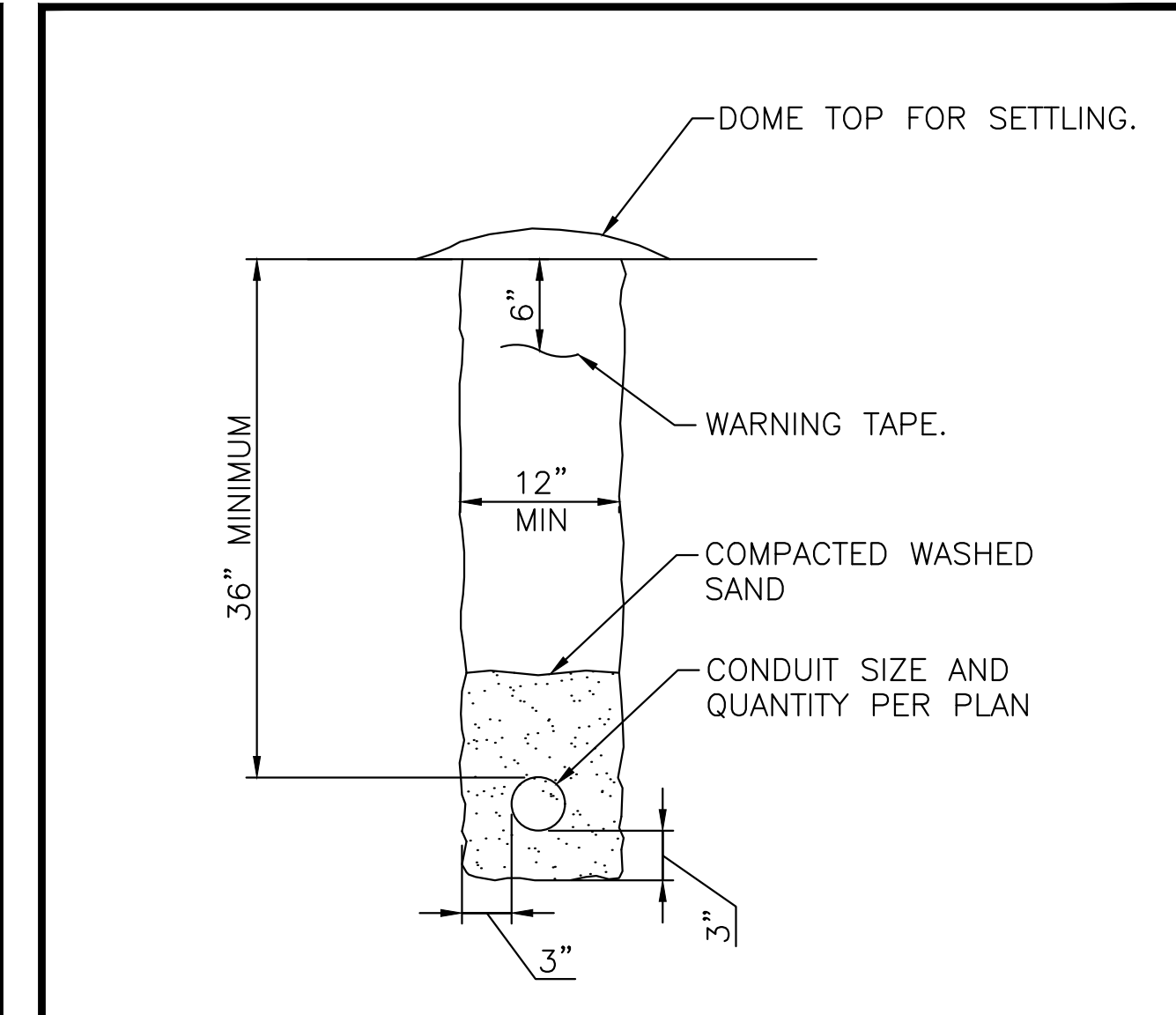


1
NO SCALE
CONDUIT MARKER DETAIL



2
NO SCALE
TYPICAL TRENCH CROSS SECTION

PAVING & DRAINAGE FOR
BOTANICA GARDENS PARKING LOT
WICHITA, KANSAS

©2021
MKEC Engineering
All Rights Reserved
www.mkec.com
These drawings and their contents, including, but not limited to, all concepts, designs, & ideas are the exclusive property of MKEC Engineering (MKEC), and may not be used or reproduced in any way without the express consent of MKEC.

**ELECTRICAL
DETAILS AND
SCHEDULES**

| | | |
|-------------|-----------|---------|
| PROJECT NO. | 482-11034 | |
| DATE | JULY 2021 | |
| SCALE | NTS | |
| DESIGNED | DRAWN | CHECKED |
| JRBW | KKL | JRBW |

| NO. | REVISION | DATE |
|-----|----------|------|
| | | |
| | | |
| | | |