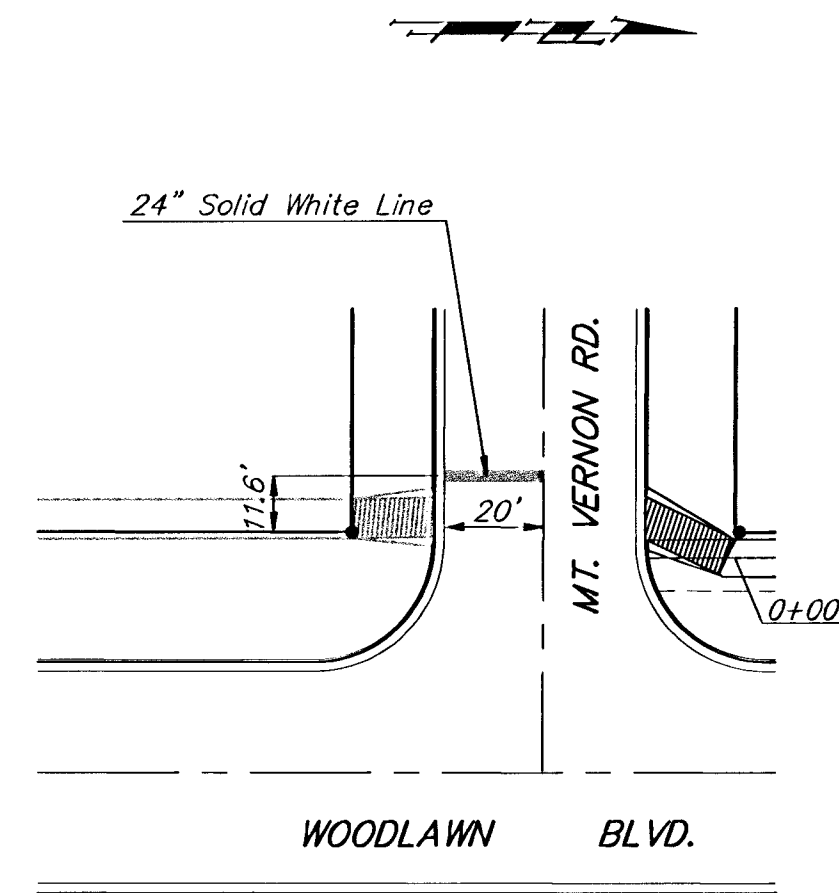
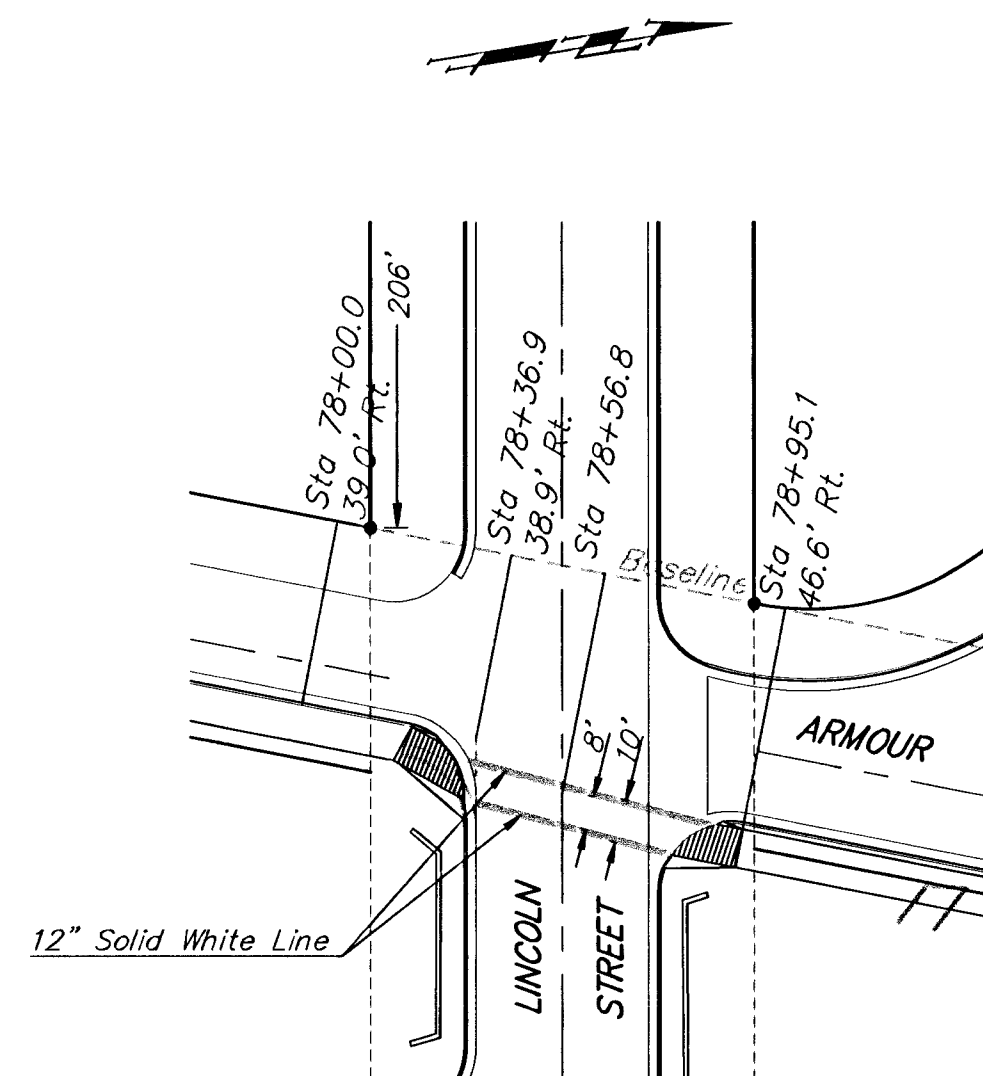


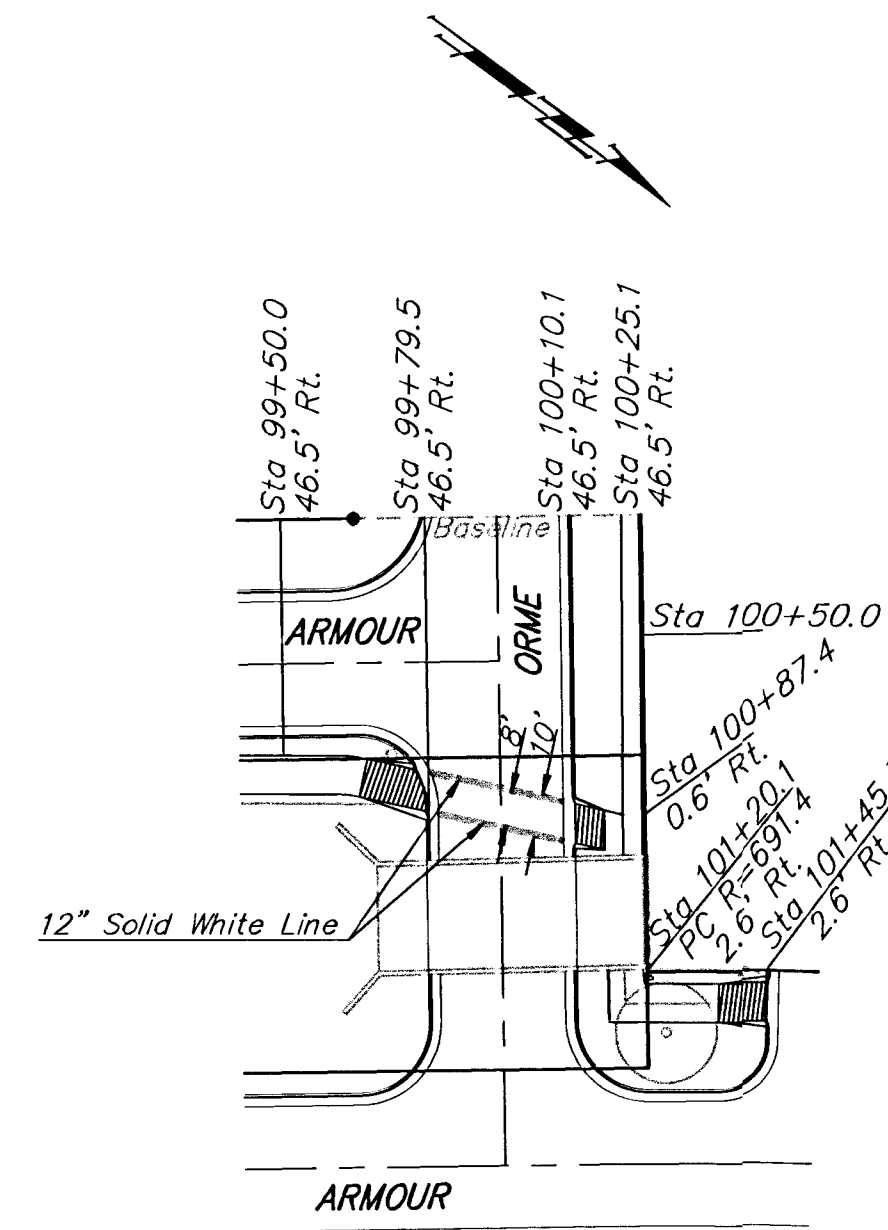
FHWA REGION NO.	STATE	PROJECT NO.	FISCAL YEAR	SHEET NO.	TOTAL SHEETS
7	KANSAS	87TE-0040-01	1997	23	33



MT. VERNON AND WOODLAWN BLVD.

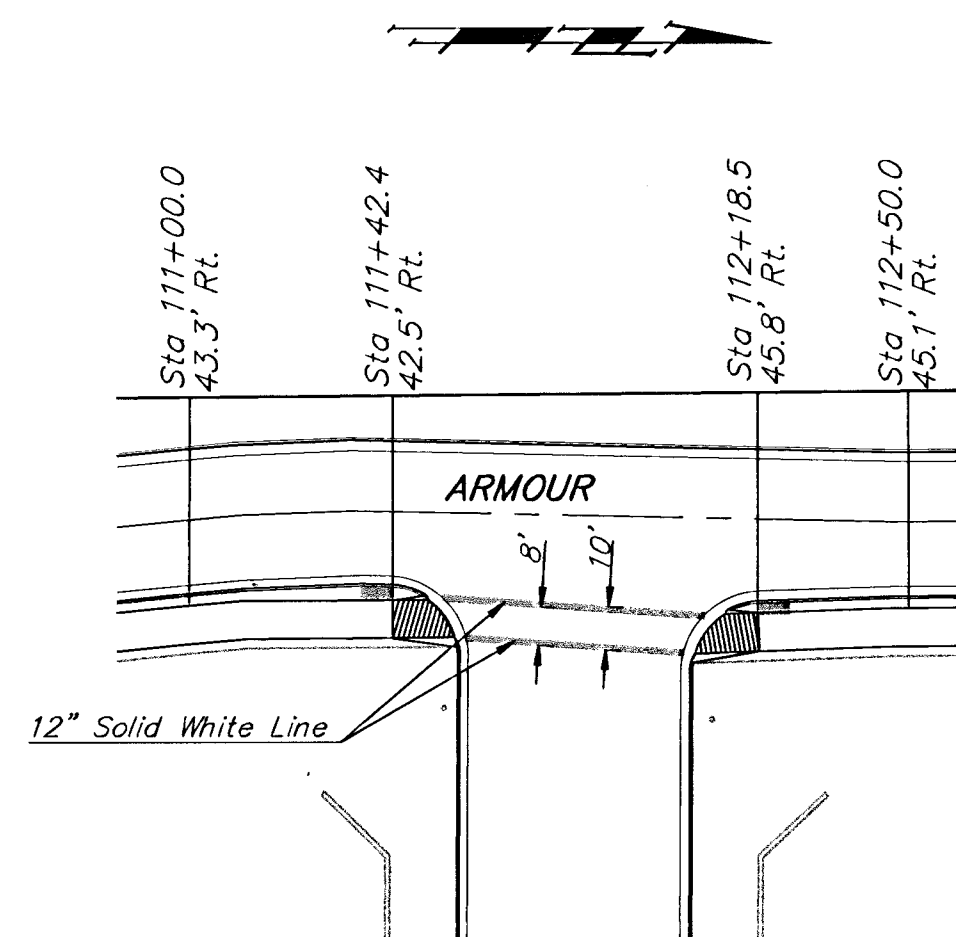


LINCOLN AND ARMOUR STREET

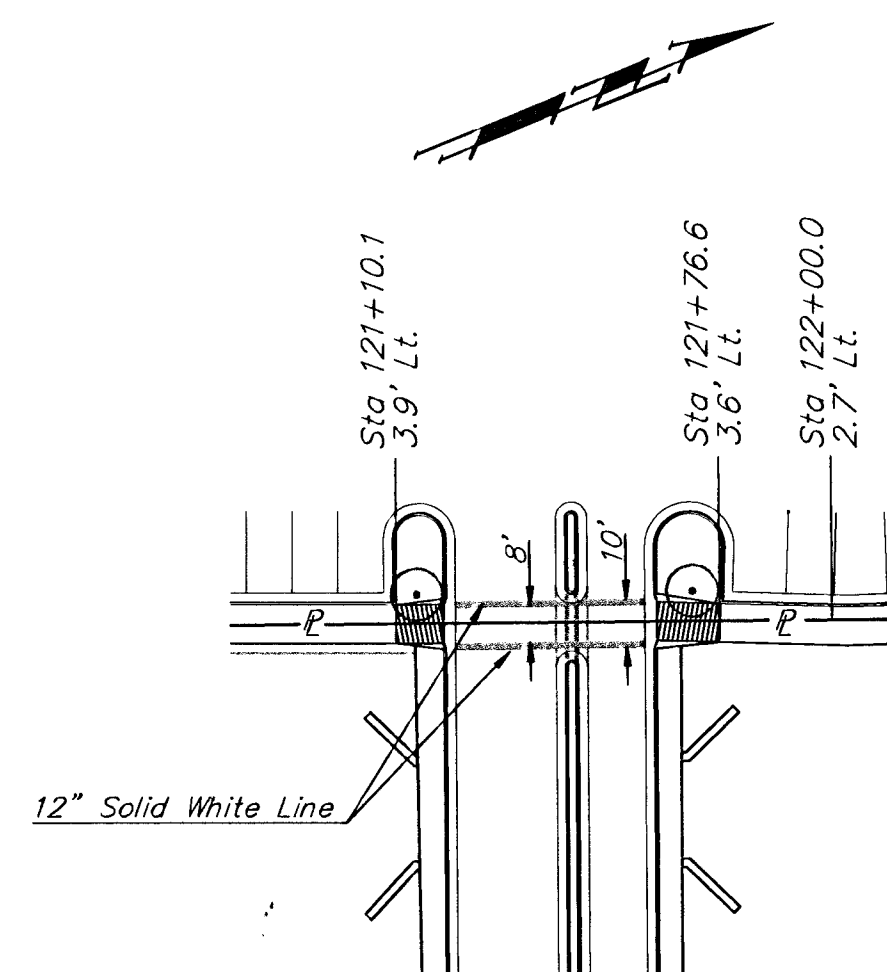


ORME AND ARMOUR STREET

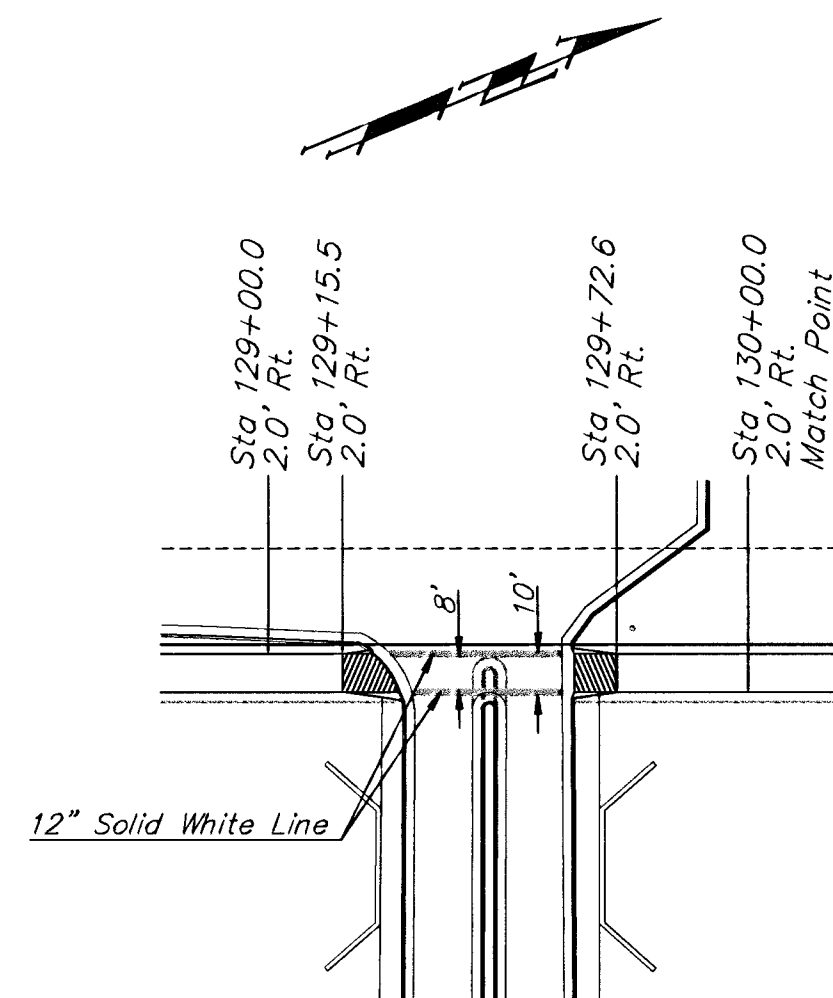
BILL OF MATERIALS		
ITEM	TOTAL	UNITS
12" COLD PLASTIC MARKING (WHITE)	475	L.F.
24" COLD PLASTIC MARKING (WHITE)	20	L.F.



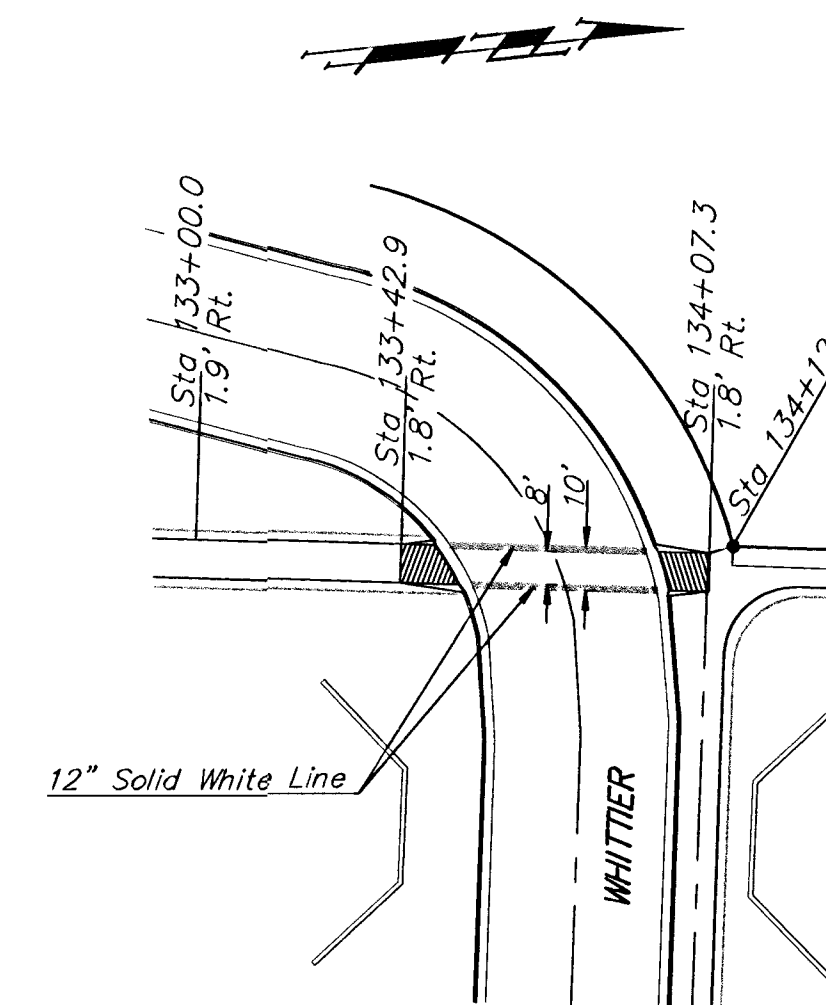
ARMOUR DRIVE



TARGET ENTRANCE AT ARMOUR DRIVE



ARMOUR DRIVE



WHITTIER STREET

Revised 5/8/97 DMV

**GYPHUM CREEK BICYCLE PATH
PAVEMENT MARKING**



BAUGHMAN COMPANY P. A.
ENGINEERING & SURVEYING
316/262-7271 • 315 ELLIS • WCHITA, KANSAS 67211

PROJECT NUMBER
472-82573

DESIGN TA/DMV DRAWN DMV UTIL CHECK'D DATE 11-16-95 SCALE None

SHEET
OF
23
OF
33

33-10-EGSD
CIP/PAV/MAK