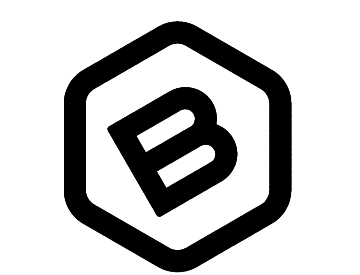
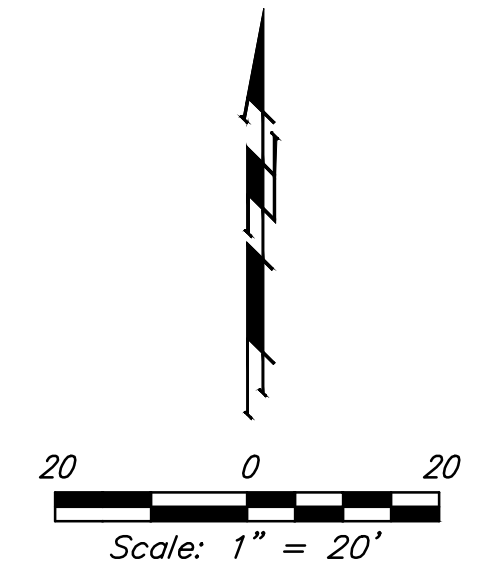
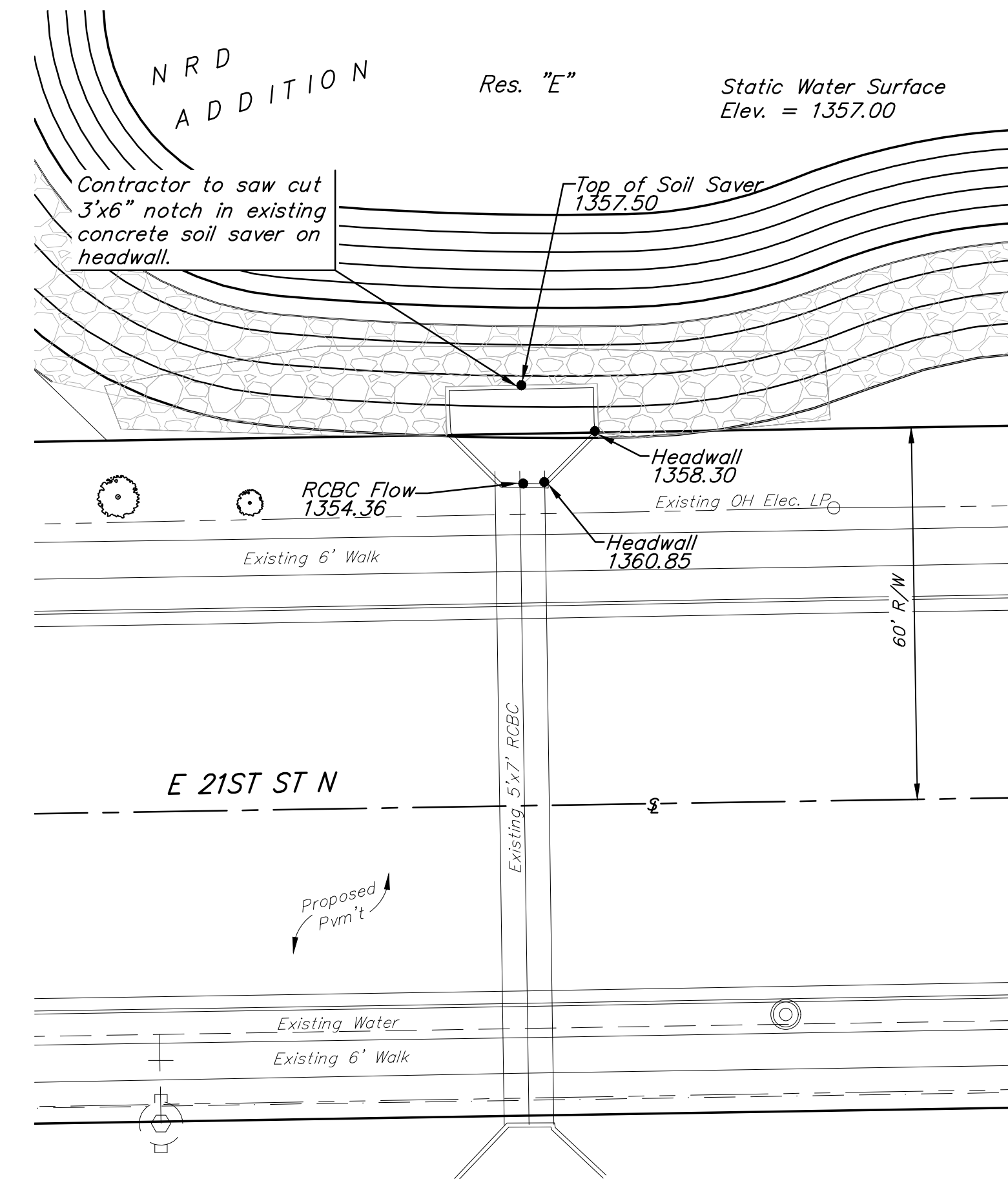
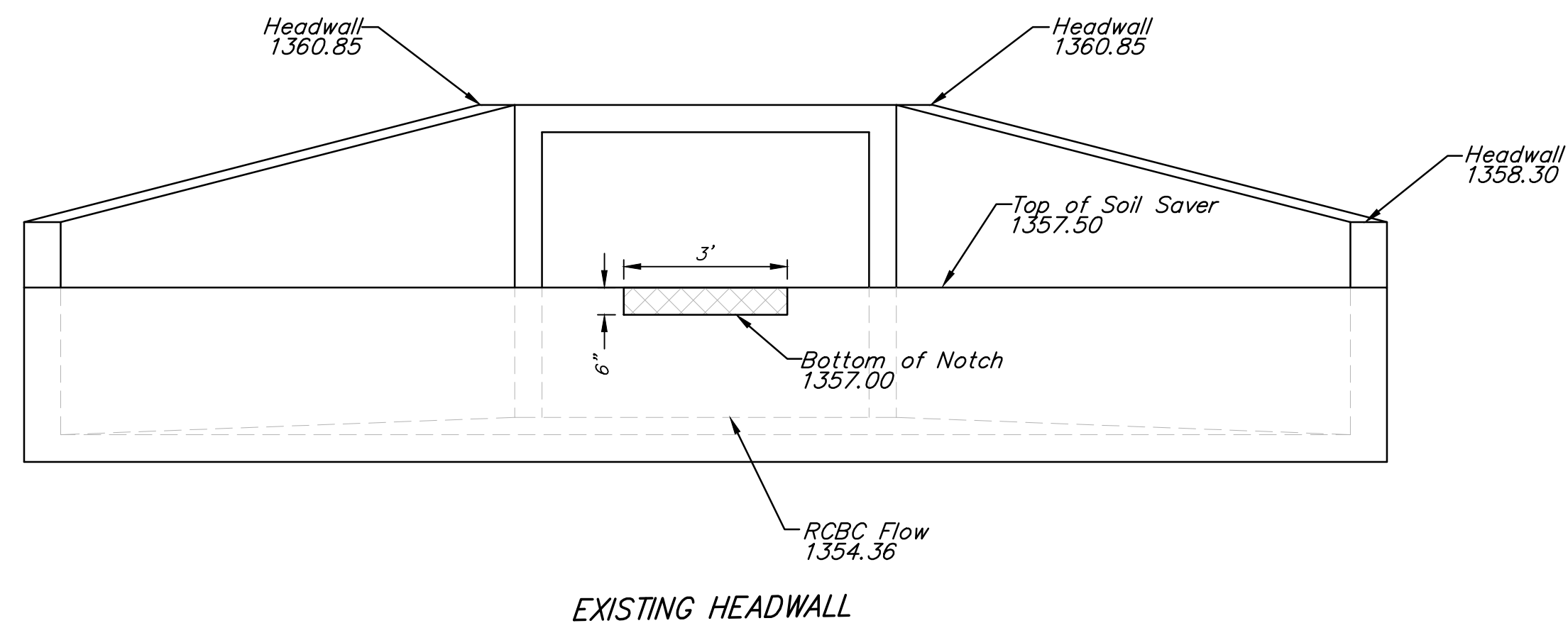


**BENCHMARKS:**  
 BM #1: Chiseled square on NW corner of catch basin, 262.2' W. & 35.9' N. of S1/4 Cor., Sec. 1, TWP. 27-S, R-2-E.  
 Elev. = 1361.76 NAVD88

BM #2: Chiseled square on NW corner of catch basin, 962.0' W. & 35.8' N. of S1/4 Cor., Sec. 1, TWP. 27-S, R-2-E.  
 Elev. = 1363.84 NAVD88

BM #3: Chiseled square on NW corner of catch basin, 160.0' E. & 24.3' S. of SW Cor., Lot 13, Block A, NRD Addition.  
 Elev. = 1369.05 NAVD88



**BAUGHMAN COMPANY**  
 315 Ellis St.  
 Wichita, KS 67211  
 316-262-7271  
 BaughmanCo.com

NRD ADDITION

**RCBC MODIFICATION**

STORM WATER DRAIN IMPROVEMENTS

PROJECT NUMBER:  
21-03-E867

DESIGN: NBW DRAWN: TMS

DATE: August 5, 2021

SHEET **20** OF **46**

File: E:\Projects\NRD Addition\_19-04-P448\Engineering\Phase 1\SWD 21-03-E867\SWD.dwg