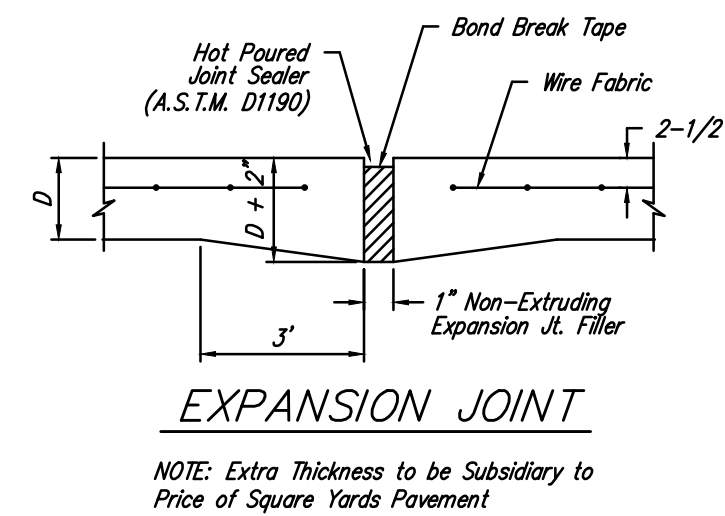
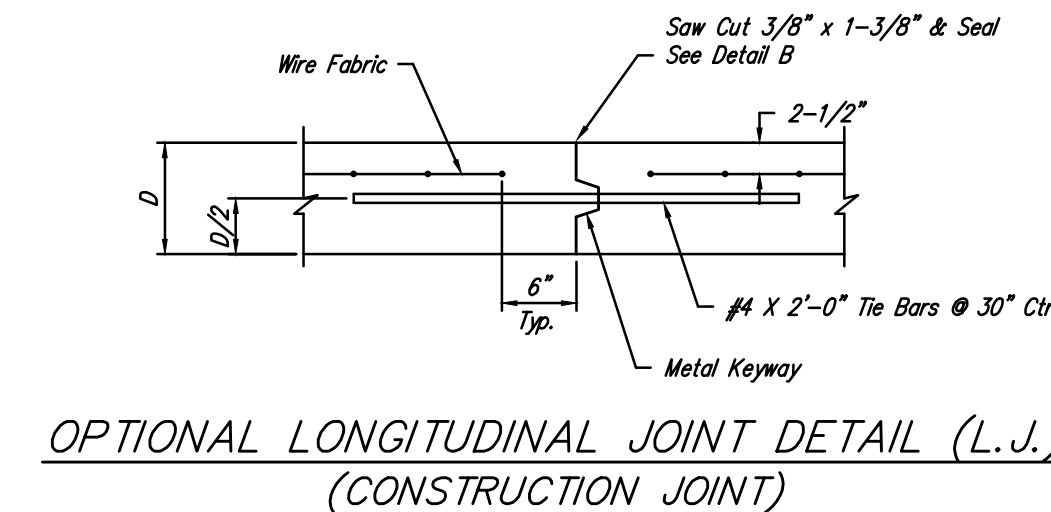
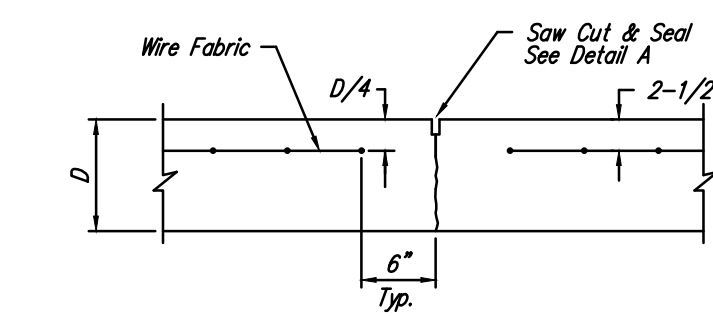
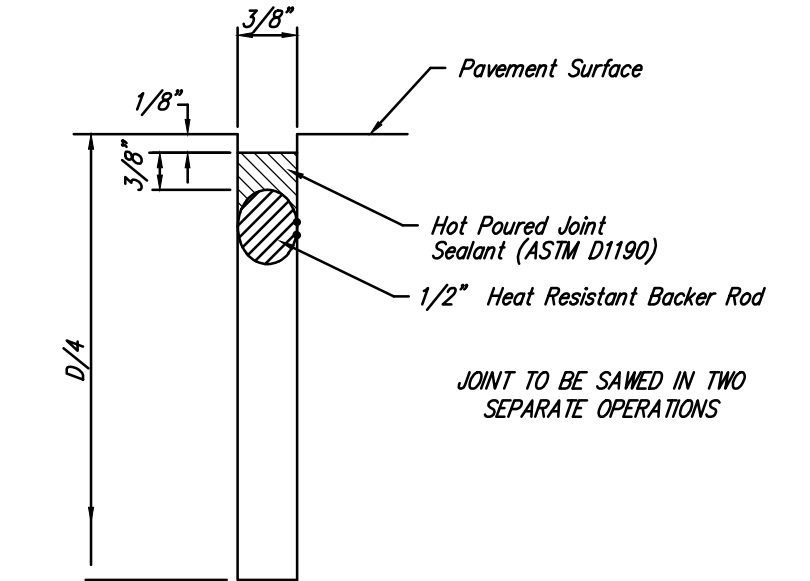
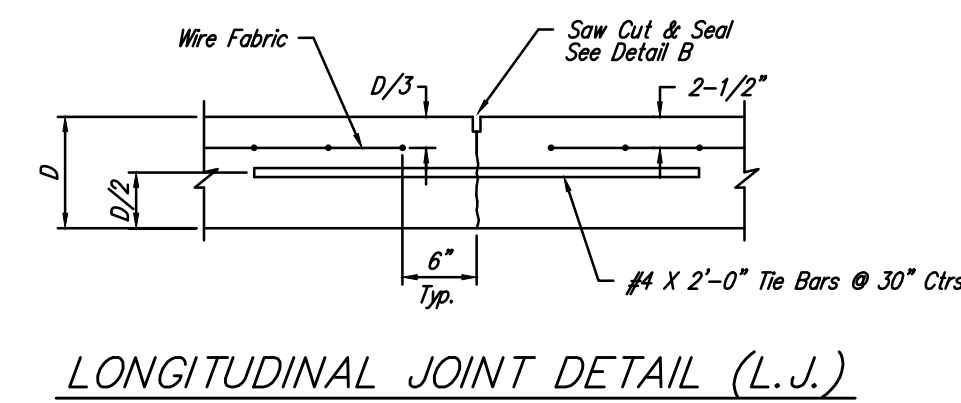
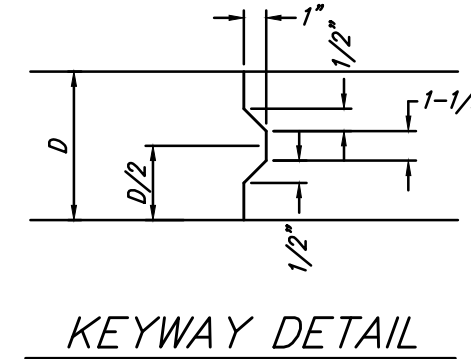
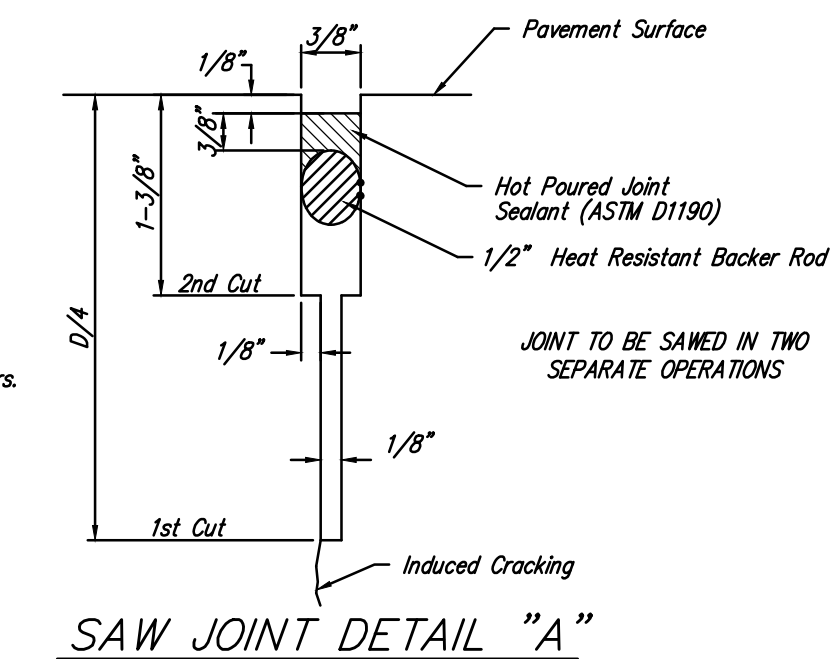
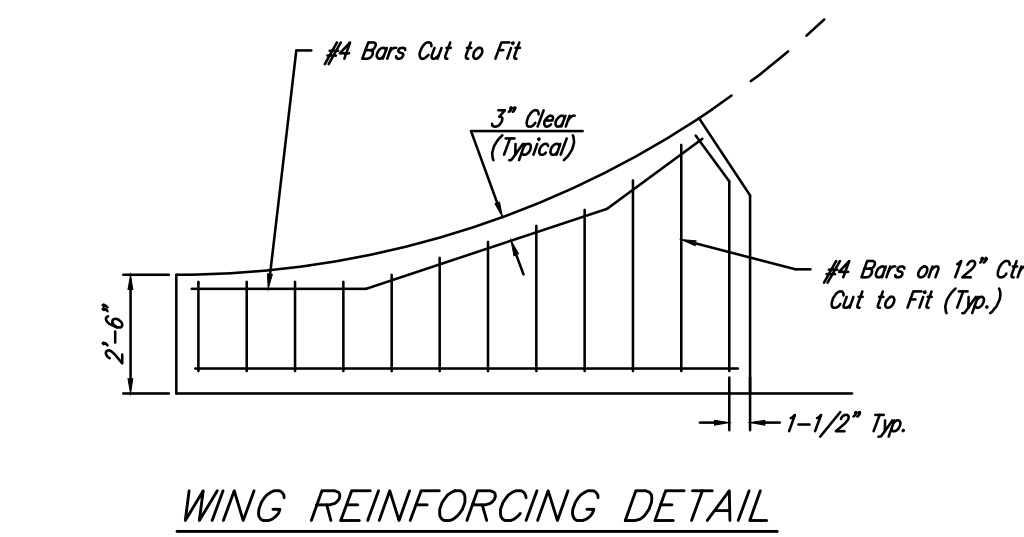


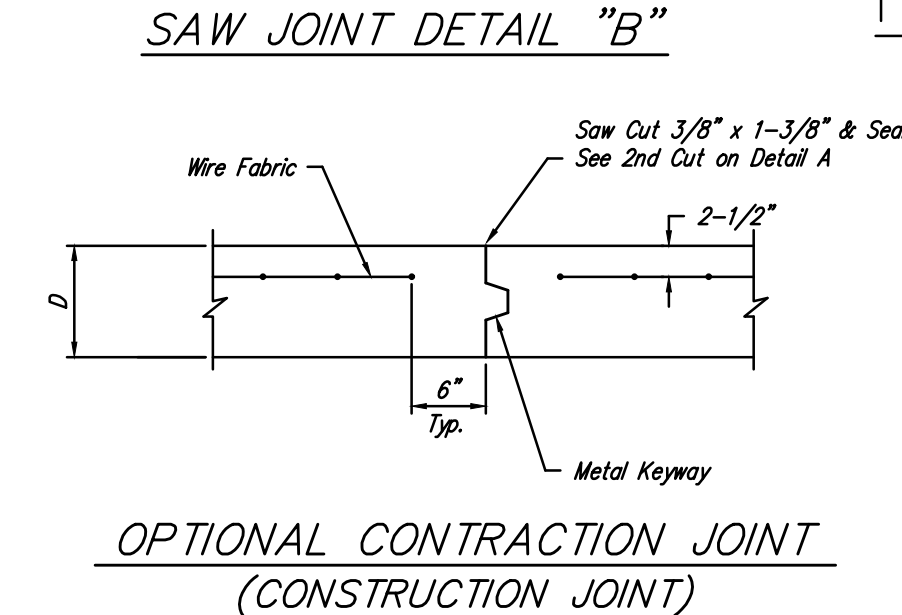
Δ BM-2 PG 64-22(Base) PG 70-28(Surface)



NOTE: Extra Thickness to be Subsidiary to Price of Square Yards Pavement

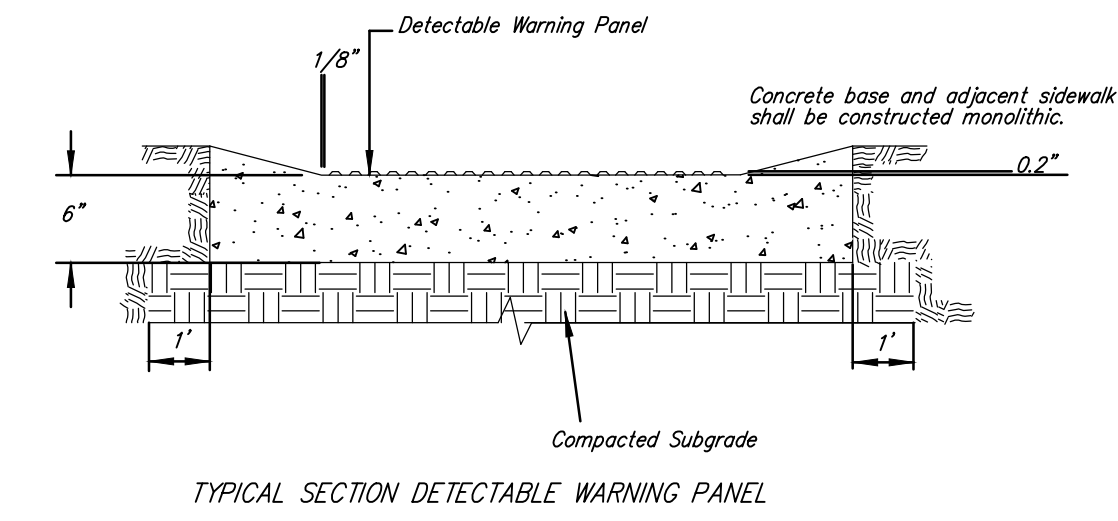
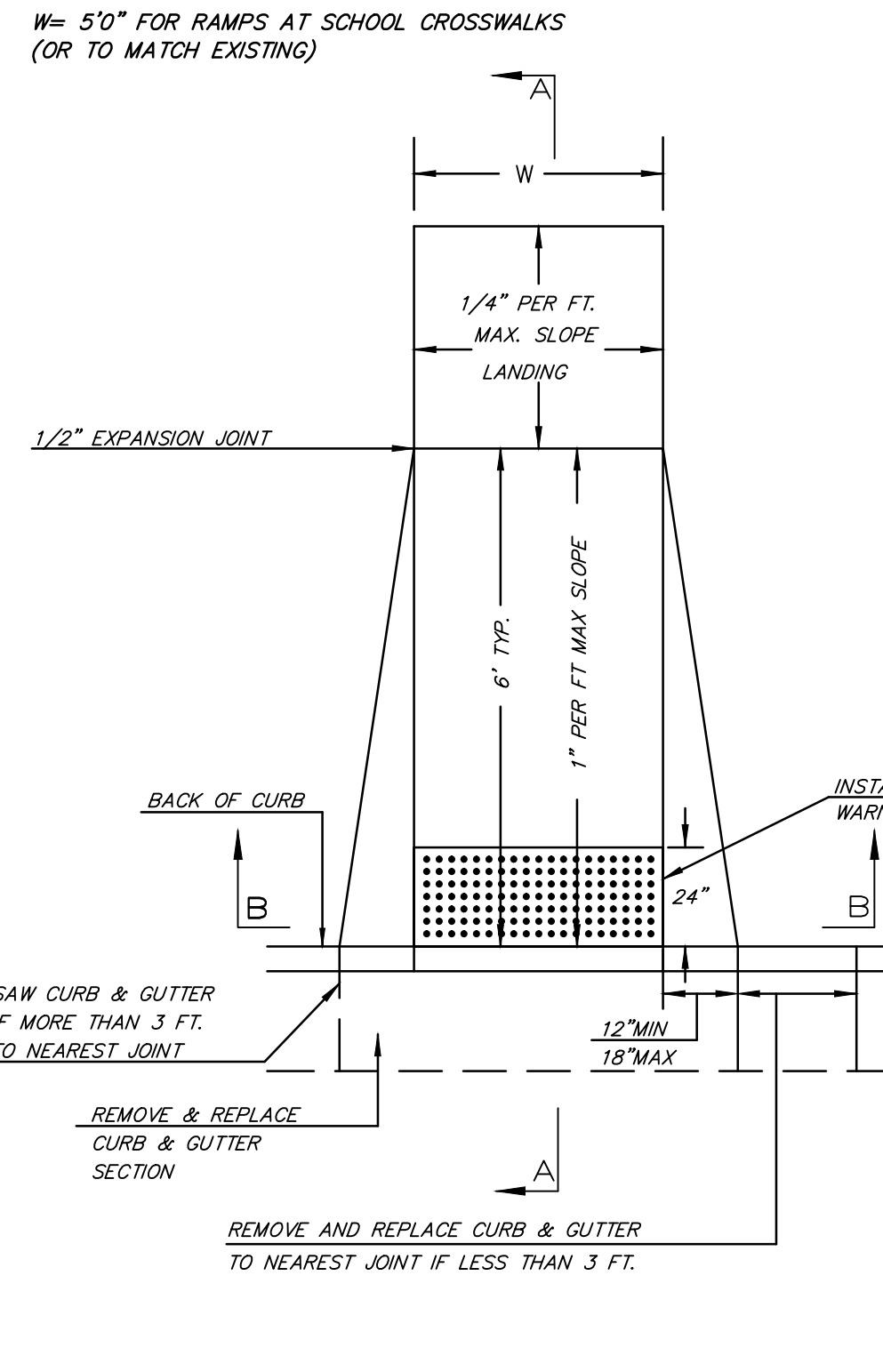


NOTE: 6" X 12" W4XW4 Wire Fabric Reinforcing Shall Be Placed So That The Wires With The 6" Spacing Will Run Parallel With The Longitudinal Joints.



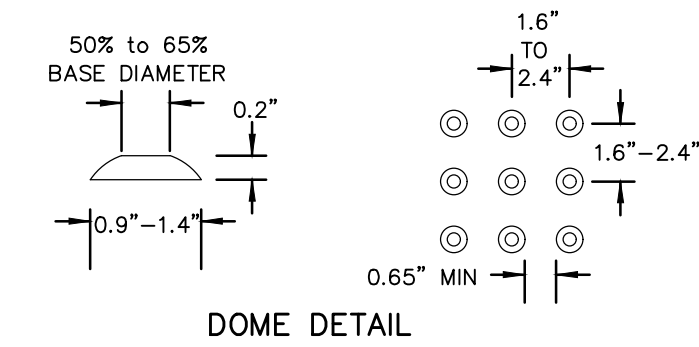
(TYPE A)
STANDARD WHEELCHAIR RAMP WITH
DETECTABLE WARNING
CONSTRUCTION DETAIL FOR STREETS
WITH COMBINED CURB & GUTTER

W= 5'0" FOR RAMPS AT SCHOOL CROSSWALKS
(OR TO MATCH EXISTING)



NOTE: RAMPS TO COMPLY WITH LATEST ADAAG GUIDELINES. CAST-IN-TACT DETECTABLE WARNING PANELS (OR AN APPROVED EQUAL) SHALL BE USED IN ALL WHEELCHAIR RAMPS. THE RED PAVEMENT SHALL BE IN ALL WHEELCHAIR RAMPS. THE PANELS SHALL BE INSTALLED DURING RAMP CONSTRUCTION.

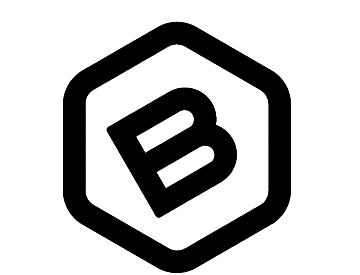
SECTION B-B



SECTION A-A

- * APPROVED PANELS:
- CAST-IN-TACT PRECAST DETECTABLE WARNING PANEL. CONCRETE ACCESSORIES, 263-7251
 - DETECTABLE WARNING PANEL AS MANUFACTURED BY STEPS PLUS, INC. STEPS-PLUS.COM, 315-432-0885
 - DETECTABLE WARNING PANEL INTERLOCK SAN DIEGO, CA 760-434-5586

AUGUST 4, 2003



BAUGHMAN COMPANY
315 Ellis St.
Wichita, KS 67211
316-262-7271
BaughmanCo.com

NEWSPRING COMMERCIAL ADDITION

TYPICAL SECTIONS & PAVEMENT DETAILS
SIDEWALK & TURN LANE IMPROVEMENTS

PROJECT NUMBER:
20-10-E760

DESIGN: SRS DRAWN: SRS

DATE: August 20, 2021

SHEET 4 OF 21

File: E:\Projects\NewSpring Commercial Addition\Engineering\Phase 1\STR\NSA STR Rev1.dwg