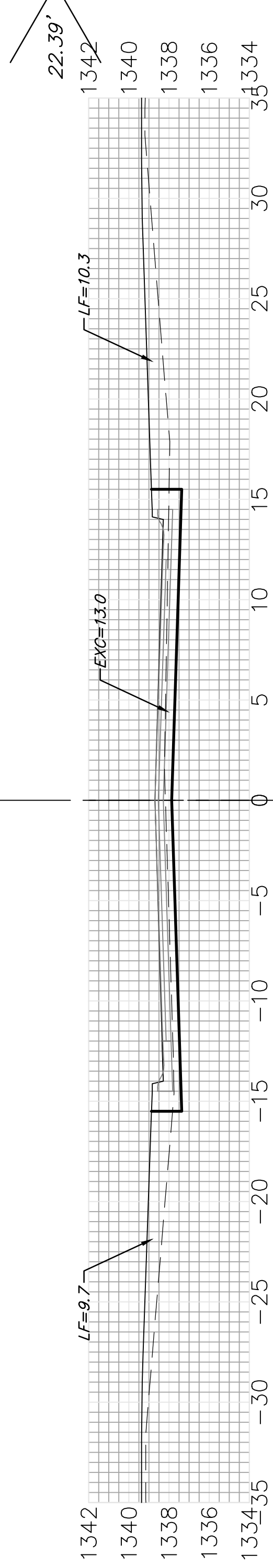
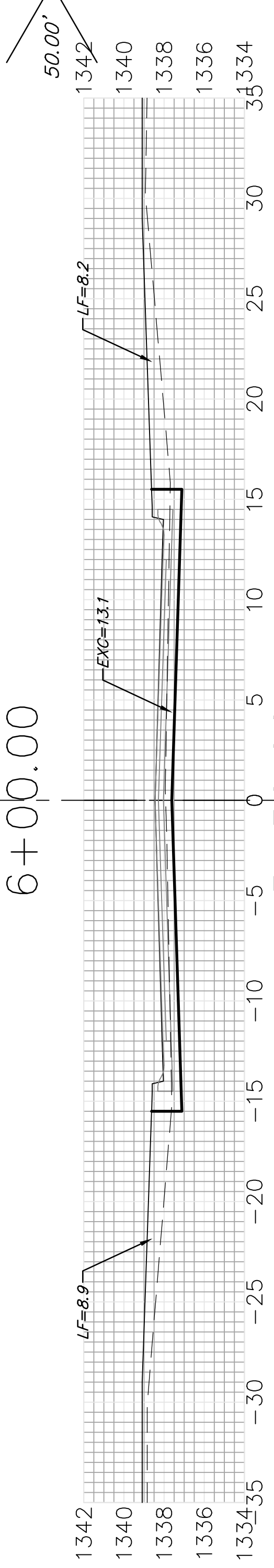


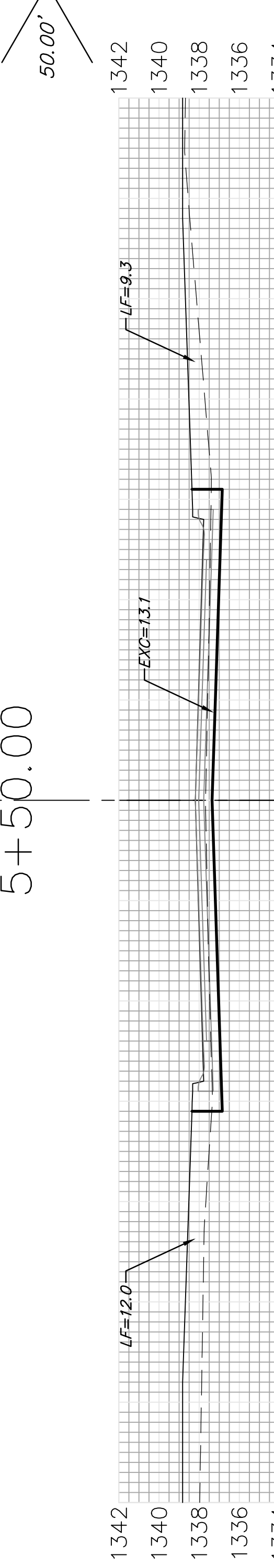
EXC = 13.6
LF = 17.7
CF = 0.0



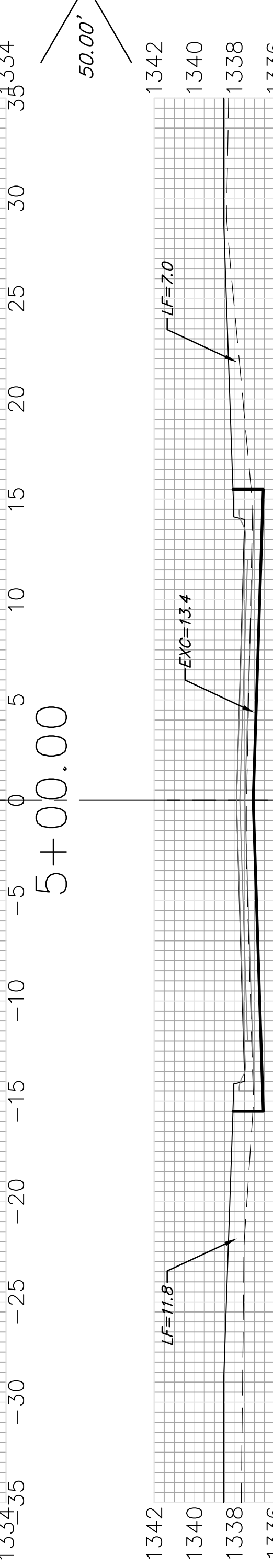
EXC = 24.2
LF = 34.4
CF = 0.0



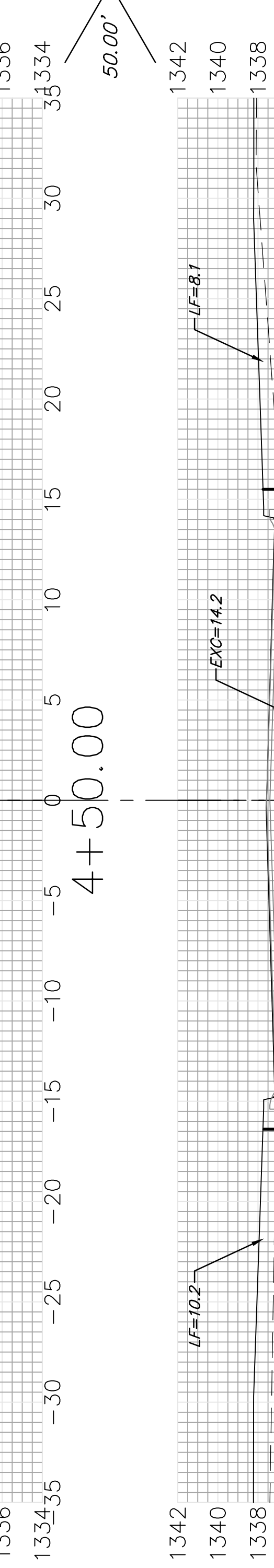
EXC = 24.3
LF = 35.6
CF = 0.0



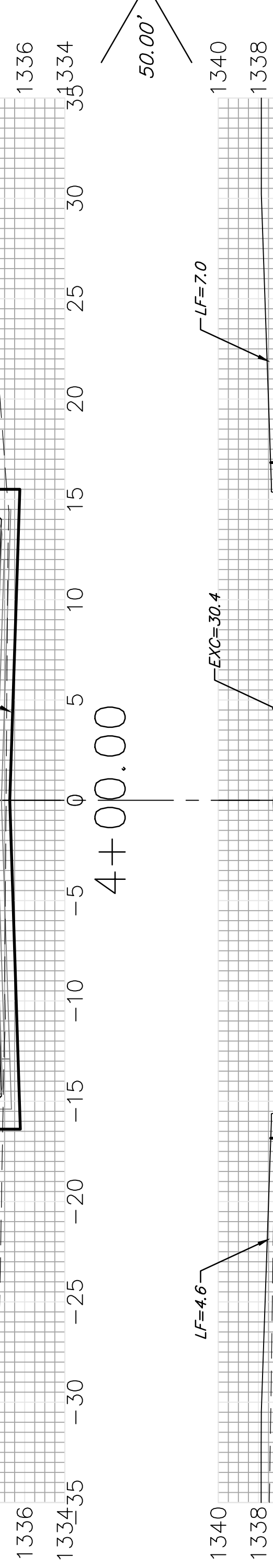
EXC = 24.5
LF = 37.1
CF = 0.0



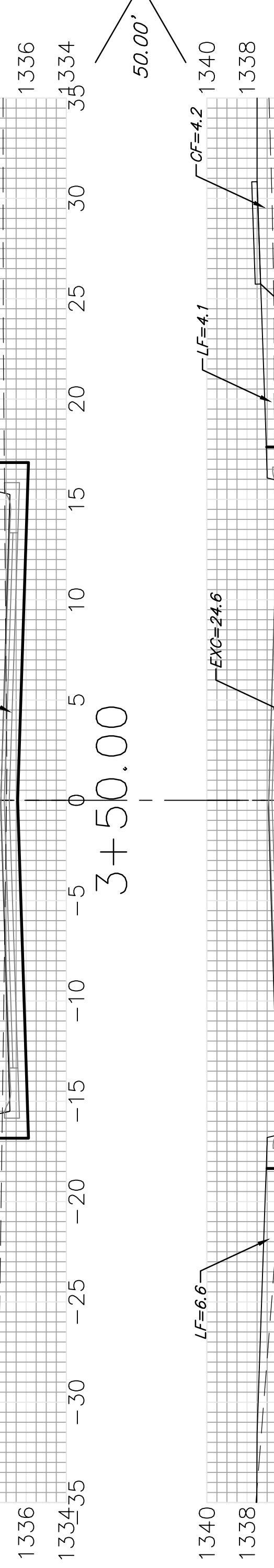
EXC = 25.6
LF = 34.4
CF = 0.0



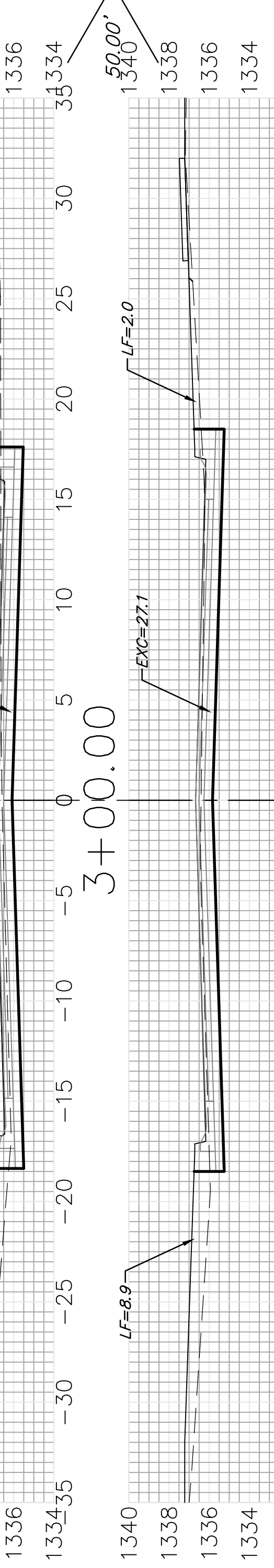
EXC = 41.3
LF = 27.7
CF = 0.0



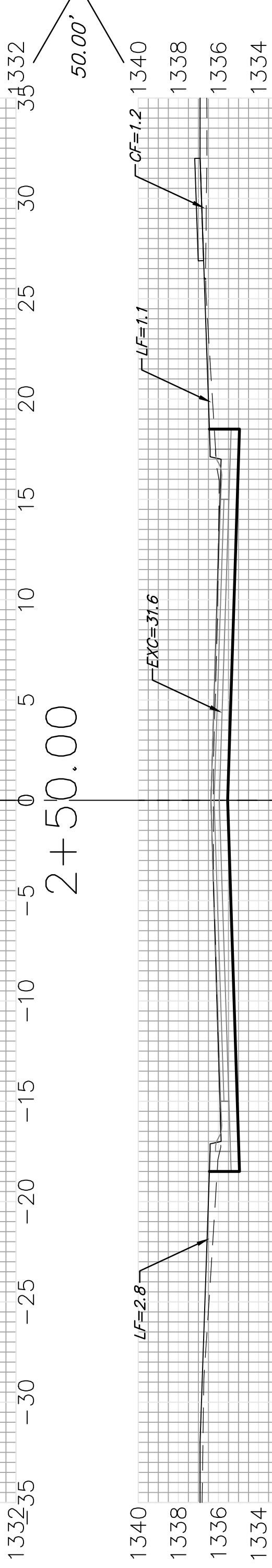
EXC = 50.9
LF = 20.6
CF = 3.9



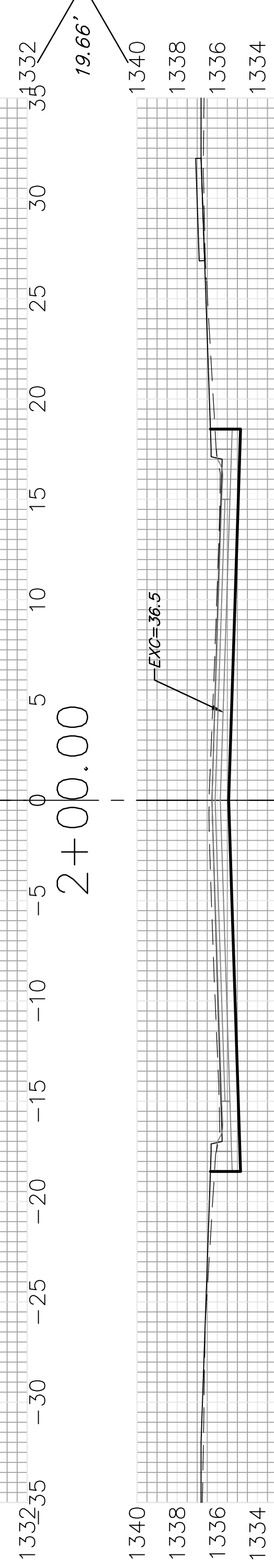
EXC = 47.9
LF = 20.0
CF = 3.9



EXC = 54.4
LF = 13.7
CF = 1.1



EXC = 24.8
LF = 1.4
CF = 0.4



Sheet Totals
 Excavation = 331.5 C.Y.
 Loose Fill = 242.6 C.Y.
 Compacted Fill = 9.3 C.Y.



BAUGHMAN COMPANY
 315 Ellis St.
 Wichita, KS 67211
 316-262-7271
 BaughmanCo.com

NORTHGATE ADDITION
 Phase 4B

CROSS SECTIONS

STREET IMPROVEMENTS
 PROJECT NUMBER:

DESIGN: AEG DRAWN: TMS
 DATE: August 9, 2021

SHEET **14** OF **18**