

# GENERAL NOTES:

- The Contractor shall comply with all applicable safety regulations. All construction shall be completed following current City Standard Specifications and Special Provisions.
- Contractor will be required to provide notice to utility companies a minimum of seventy-two (72) hours prior to any excavation, as follows:  
Kansas One-Call 687-2470  
The Contractor must notify the following in case of an emergency:  
AT&T 1-800-246-8464  
Black Hills Energy 1-800-694-8989  
City of Wichita Water & Sewer 1-316-219-8921  
City of Wichita Stormwater 1-316-268-4090  
City of Wichita Traffic 1-316-268-4034  
Cox Communications 1-888-249-3530  
Kansas Gas Service 1-888-482-4950  
Evergy 1-800-544-4857
- Utility service lines, poles, etc. are to be adjusted as necessary by others prior to construction unless the plans specifically call for their adjustment by the Contractor or unless the plans specifically identify a utility to be adjusted by its owner during construction. Existing utilities and their location, as shown on the plans, represent the best information obtainable for design. The Contractor will be required to work around existing utilities within the right-of-way which do not conflict with proposed construction.
- Rubble from the removal of miscellaneous structures and excess excavation which is to be wasted shall be disposed of on sites to be provided by the Contractor. These sites shall be approved by the Engineer as to suitability, appearance and site location. Locations, in the opinion of the Engineer, that will leave an unsightly appearance will not be approved. All disposal sites must be approved by the Kansas Department of Health and Environment. Material either stockpiled or disposed of in a flood plain will require a Kansas State Board of Agriculture permit. Any material dumped in waters of the United States or wetlands is subject to U.S. Corps. of Engineers permitting regulations. Any material buried or stockpiled beyond approved construction limits will require additional archaeological investigations unless buried in a previously approved borrow location.
- Trees and shrubs in public right-of-way which are in direct conflict with proposed new construction shall be removed by the Contractor with the City Engineer's approval. Trees and shrubs which are not in direct conflict with proposed new construction shall be saved and protected from damage.
- The Contractor shall give all property owners and/or tenants of developed property abutting the construction of this project a minimum of ten (10) days notice prior to start of construction.
- The Contractor shall be responsible for preserving property irons. The Contractor will be required to re-establish any property irons which are damaged or destroyed by his construction operations. Such irons shall be re-established by a licensed land surveyor in accordance with state laws.
- The Engineering Division shall field locate water valves one time during construction when requested by the Contractor. It shall be the Contractor's responsibility to preserve such field locations during the construction process. Water valves, valve boxes or fire hydrants damaged during construction shall be repaired by Contractor at his own expense. Valve boxes and water meters within the project limits shall be adjusted to match final grades by the contractor.
- The Contractor shall notify the inspecting engineer and Dawnita Reinhardt at 316-650-0740 with the City of Wichita with the anticipated construction start date and notify them of project completion. Staking and inspection for this project will be the responsibility of the Contractor.
- If traffic will be impacted by construction, a traffic control plan must be submitted and approved by the City Traffic Engineer, Mike Armour at [traffic@wichita.gov](mailto:traffic@wichita.gov) before construction can begin. The Contractor shall be responsible for all traffic control measures to facilitate construction. All construction zone markings and signage shall conform to the latest version of the Manual on Uniform Traffic Control Devices (MUTCD) as published by the US Dept. of Transportation, Federal Highway Administration. All costs associated with construction markings and signage shall be the Contractors responsibility.
- All elevations shown are NAVD 88.
- All areas disturbed during construction that will not be under proposed pavement shall be restored to match existing conditions.
- Any sidewalk, drive approach, curb, or street pavement removed to construct project must have a pavement cut permit and be replaced by the City contractor. Permits can be obtained by calling 316-268-4501 or 316-268-4480.
- All applicable fees (tap, equity, in lieu of & main benefit) must be paid before any connections can be made on this project. Quotes can be obtained on fees by calling 316-268-4555.
- City Maintenance of sanitary sewer mains ends at last structure within the easement or right-of-way.
- All stubs and capped pipes shall be located with green plastic tape in the same manner as risers.
- Connecting to Existing Manholes: Prior to laying sewer lines using existing stubs in existing manholes, the Contractor shall expose and verify the elevation, grade and alignment of existing stubs and notify the Engineer of any deviation from the plans. Where the stub is unusable due to elevation grade or alignment, the Contractor shall remove the stub and plug the hole, and reshape the existing manhole invert to provide smooth flow. Where connecting to an existing manhole that does not have an existing stub, the Contractor shall core cut into existing manhole wall to make connection using approved water stop gasket, and reshape the existing manhole invert to provide smooth flow. The cost to connecting to existing manholes is incidental to the project.
- Contractor shall limit the extent of trench open overnight and weekends to less than 50 feet.
- Contractor shall provide positive drainage away from all manhole covers.
- The Contractor shall prevent any construction debris from entering the existing sanitary sewer during construction.
- The Contractor shall be responsible for maintaining continuous flow of sewage through construction. Contractors proposed method for maintaining sewage flow shall be submitted and approved by the Sewer Maintenance Division (316-268-4073) prior to starting and by-passing of sewage flows.
- Any over excavation from manhole and pipe removal shall be backfilled with AB-3 compacted to 90-95% ASTM D698.
- The Contractor shall protect from damage and support existing utilities through construction as approved by the utility owner and the Engineer at the contractors expense.

## BENCHMARKS

BM 1  
Chiseled on Top of Curb  
Elevation = 1296.57 (NAVD 88)  
BM 2  
Chiseled on Top of Curb  
Elevation = 1302.14 (NAVD 88)

# SANITARY SEWER to serve

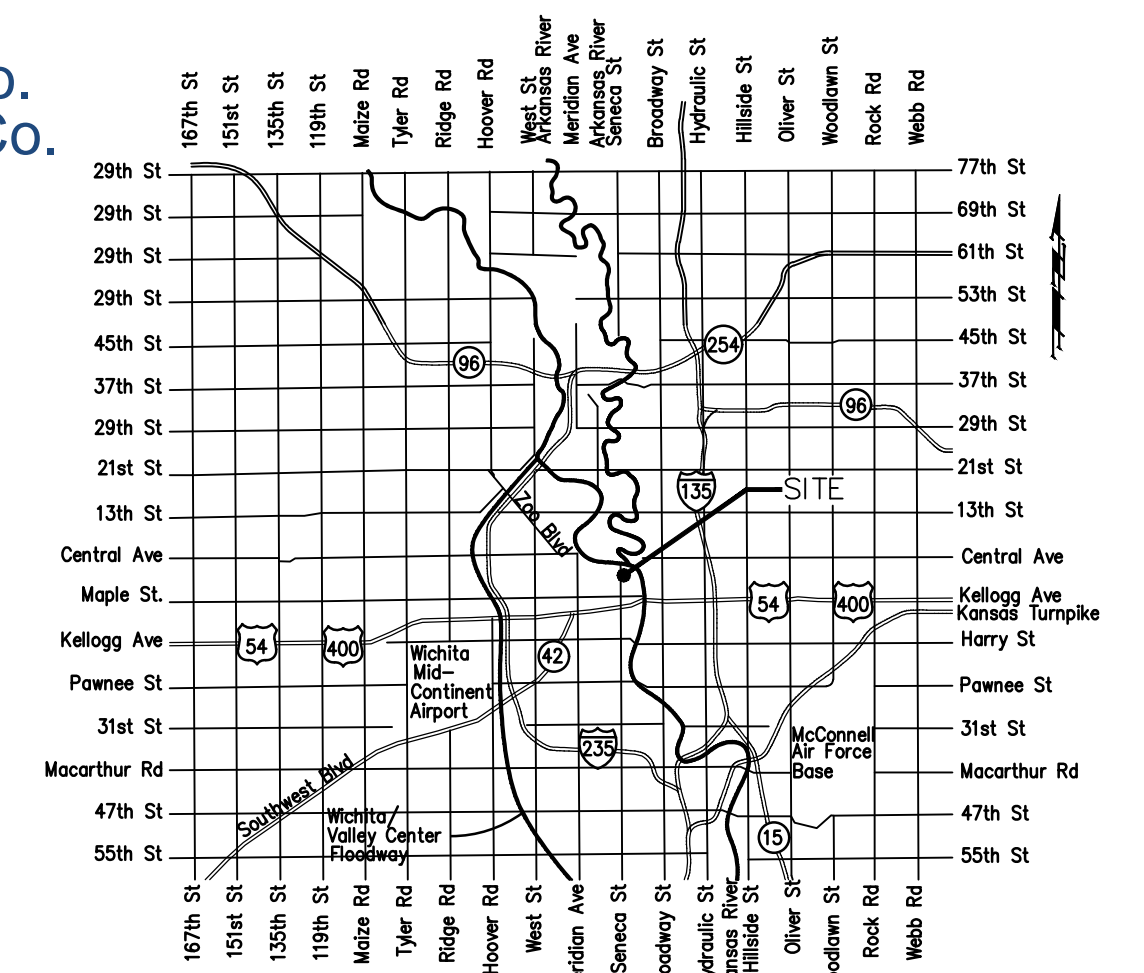
# 740 BUILDING ADAPTIVE REUSE PROJECT

740 W. 2nd St. N.  
Gary Janzen, P.E. City Engineer  
PPS-2021-014973PPS  
53030982

## AS BUILT PLANS

Contractor: Wildcat Construction Co.  
Inspector: Larry Powell, Baughman Co.  
As Builts by: KEK, 9/7/21

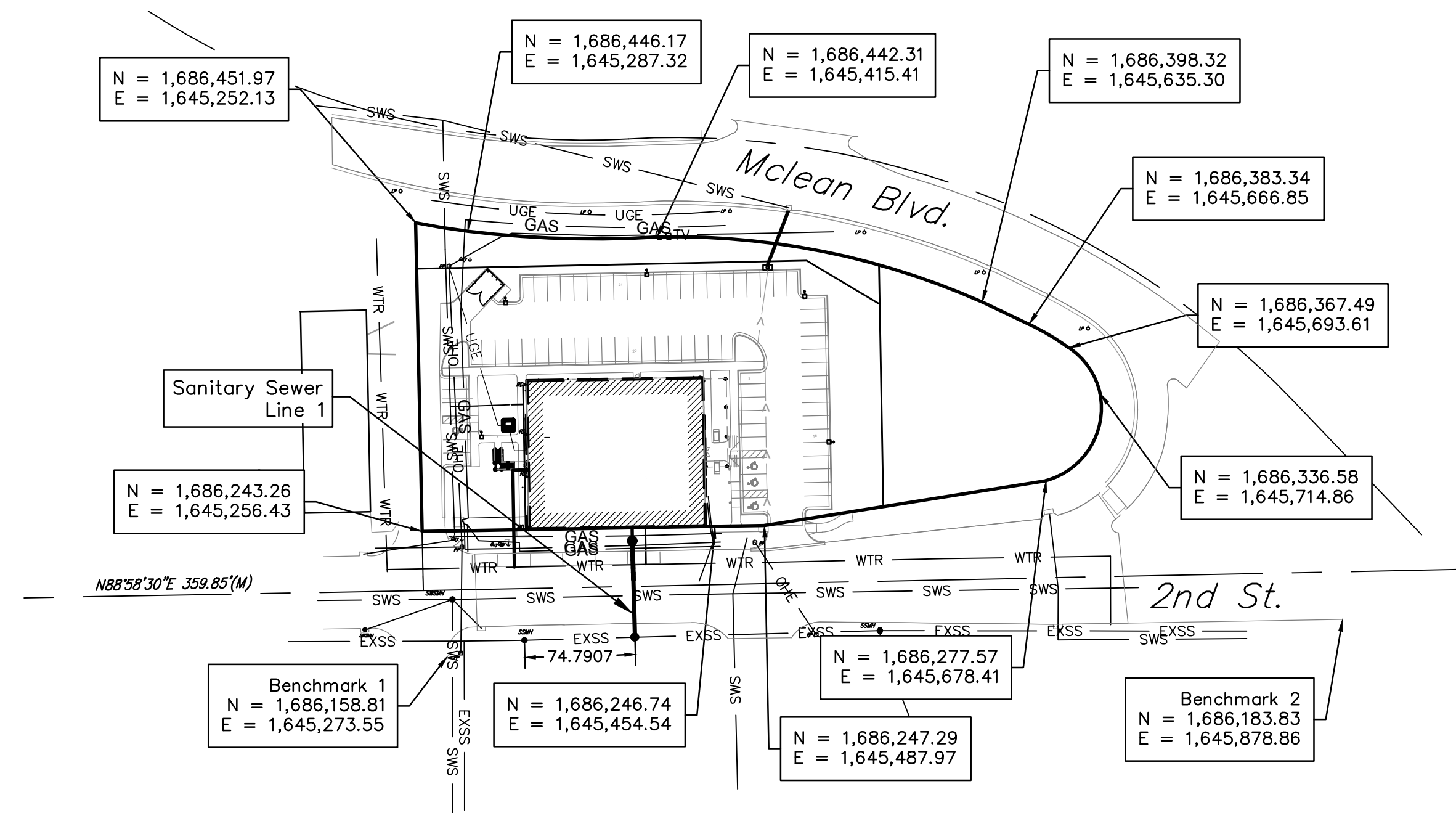
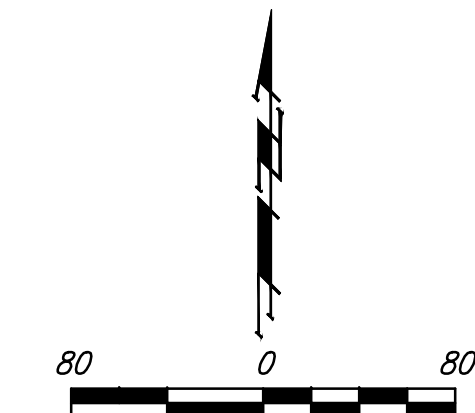
D. Reinhardt - City of Wichita, Inspector  
Stub  
Release Date: 9/10/2021  
: apr 9/14/2021



## Vicinity Map

## Sheet Index

Title Sheet	1
Line 1	2
Manhole Detail	3
Manhole Lid Detail	4
Vertical Riser Detail	5
Erosion Details	6-8
Street Improvement Plans	9-10
Copy of Plat	11



APPROVED AS NOTED  
BY WICHITA PUBLIC WORKS  
ENGINEERING DIVISION

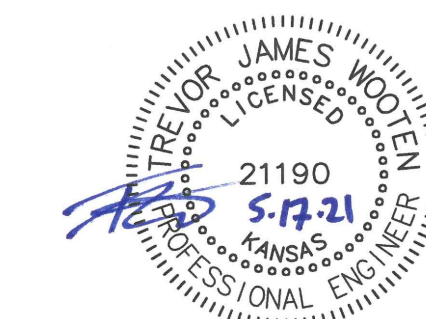
Engineering approved by Shawn Mellies on 05.18.21

Utilities approved by LaDonna Lawrenz on 05.18.21

NOTE TO CONTRACTORS

Inspection and testing for this project is to be provided by a Licensed Consulting Engineering Firm under contract with the Owner/Developer. Said Inspection to be in accordance with the City of Wichita standard construction engineering practices and certified by a Licensed Professional Engineer in the state of Kansas. No work shall be performed by the Contractor without such inspection nor shall any work be commenced without written authorization by City Engineering. All Construction and Materials shall comply with the current City of Wichita Specifications and Standards and Special Provisions (on file and available at Wichita.gov).

An approved copy of these plans signed by City staff are required on-site.



E:\Projects\Niederlanders Reserve C (20-10-ETZ6)\Engineering\Phase 1\PPS\Niederlanders Reserve C - PPS.dwg

