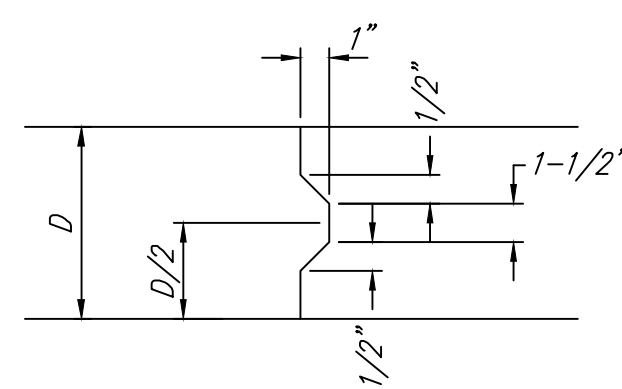
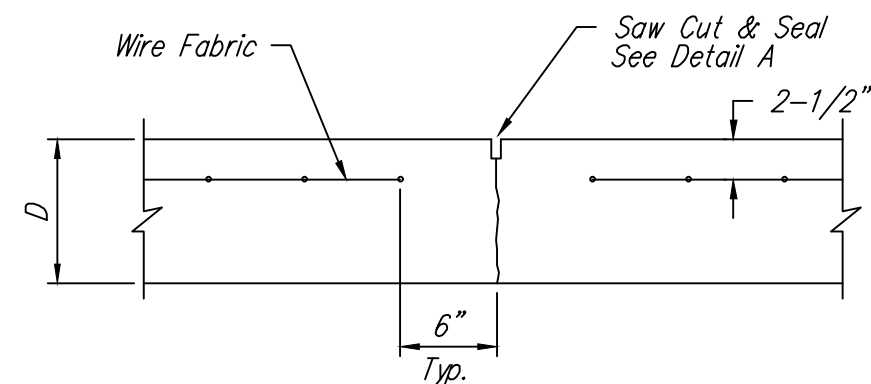


EXPANSION JOINT

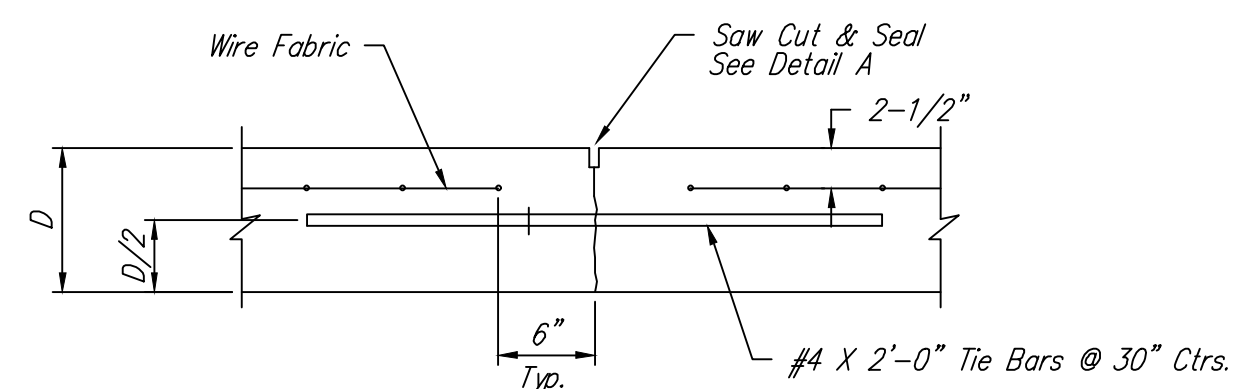
NOTE: Extra Thickness to be Subsidiary to Price of Square Yards Pavement



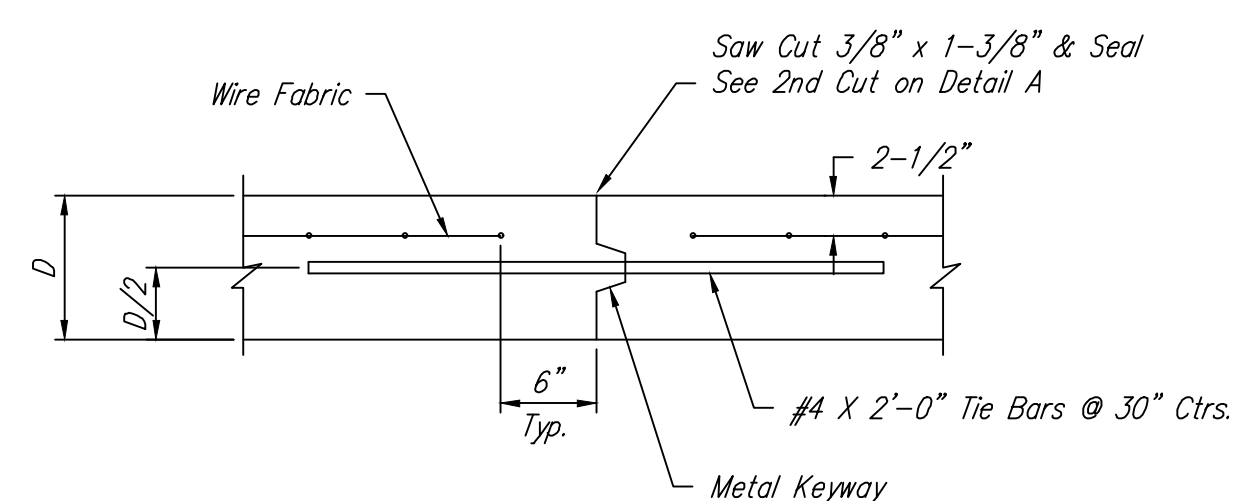
KEYWAY DETAIL



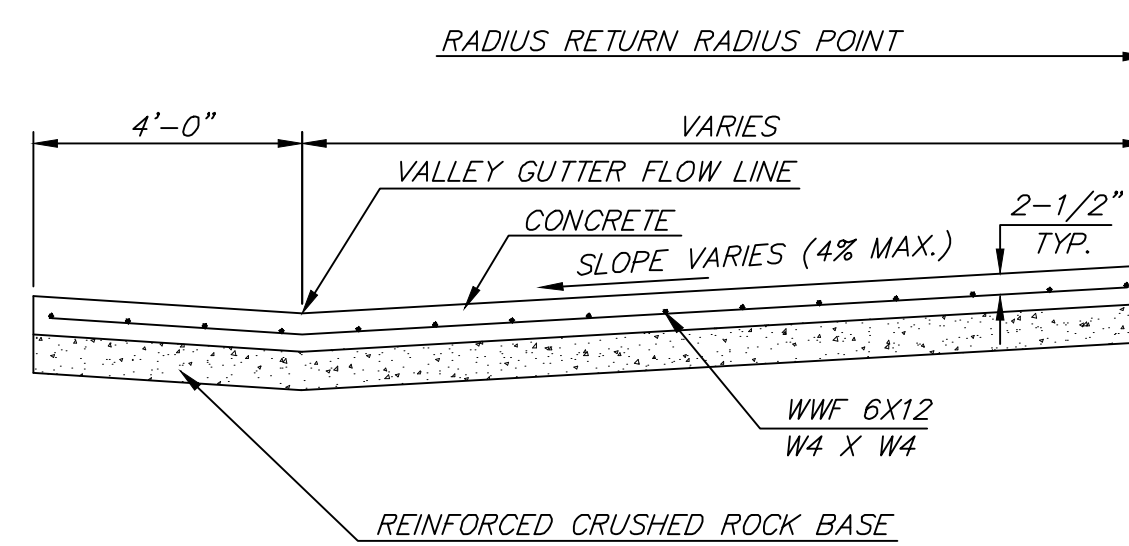
CONTRACTION JOINT DETAIL (C.J.)



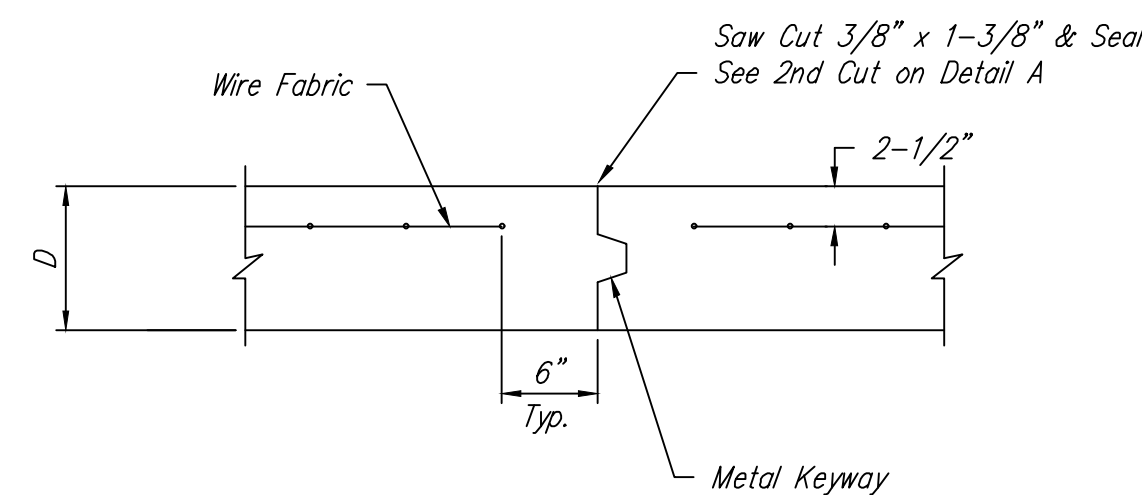
LONGITUDINAL JOINT DETAIL (L.J.)



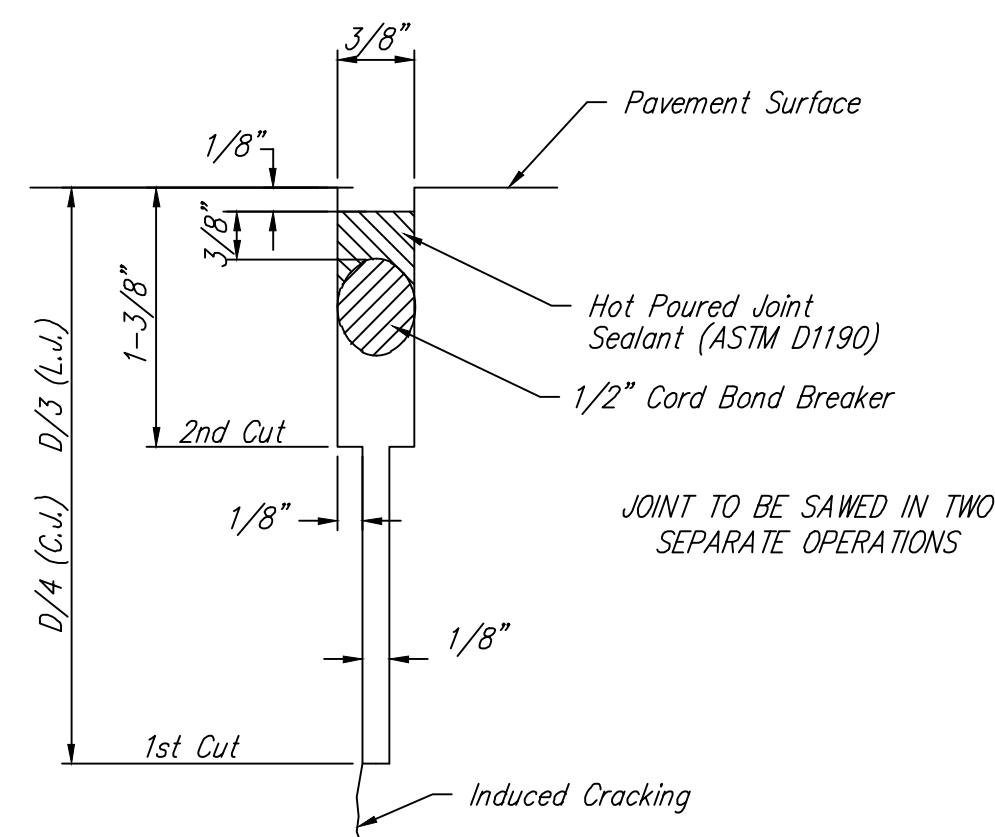
OPTIONAL LONGITUDINAL JOINT DETAIL (L.J.)



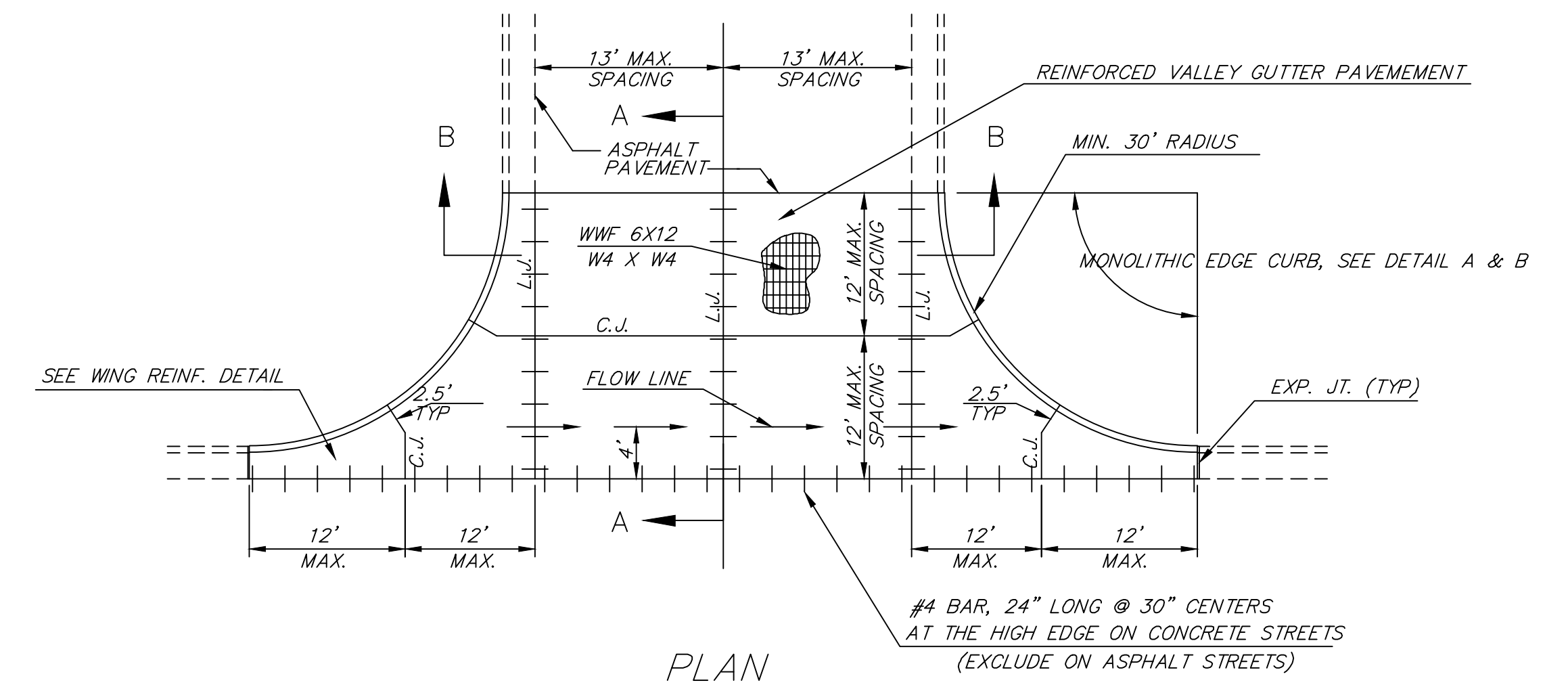
SECTION A-A



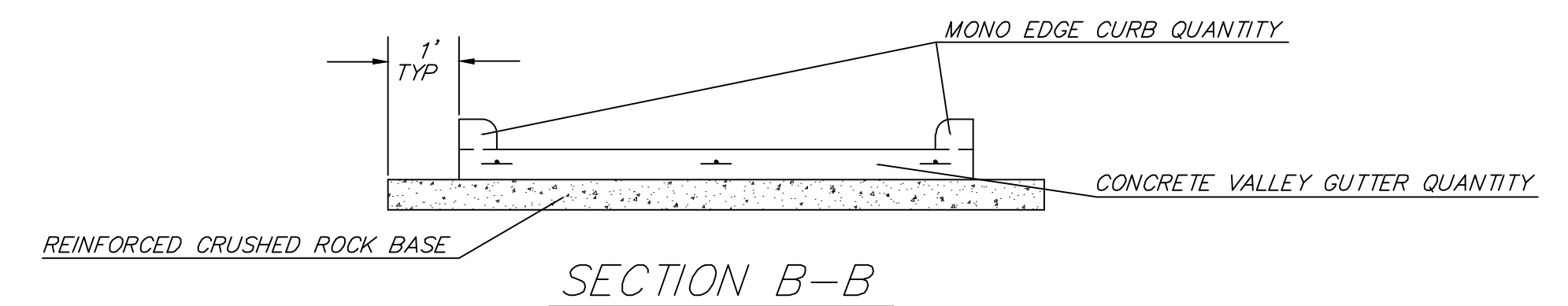
OPTIONAL CONTRACTION JOINT



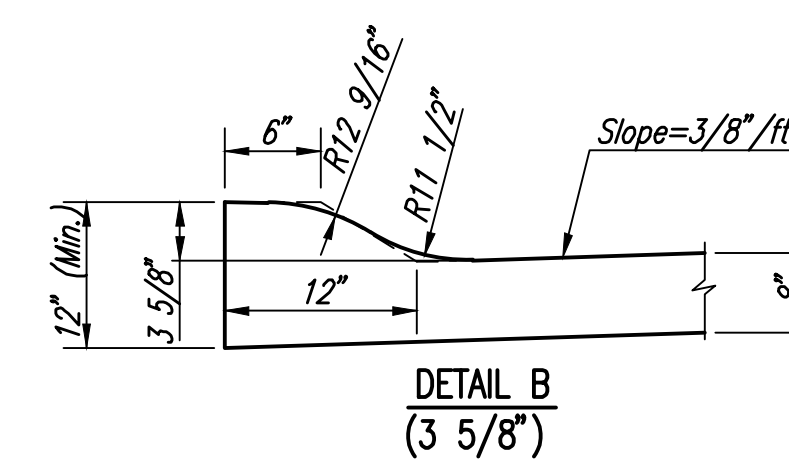
SAW JOINT DETAIL (DETAIL A)



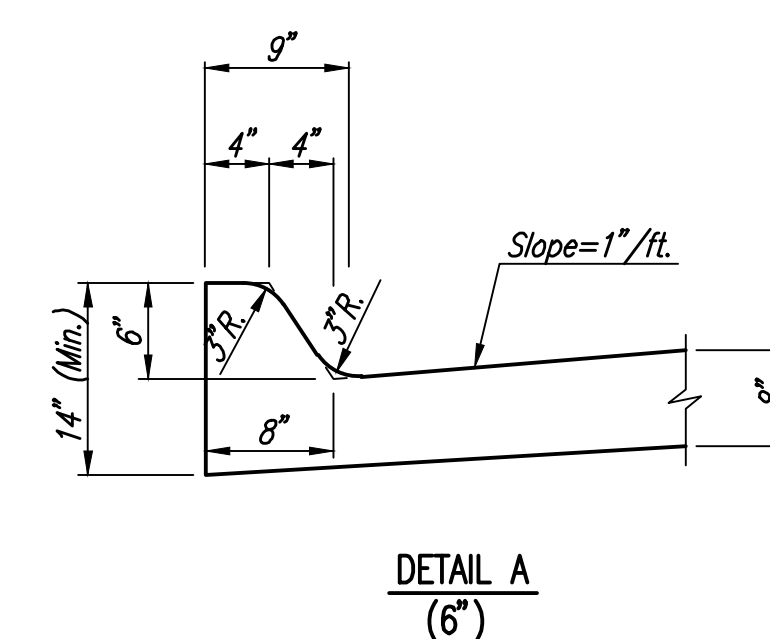
PLAN



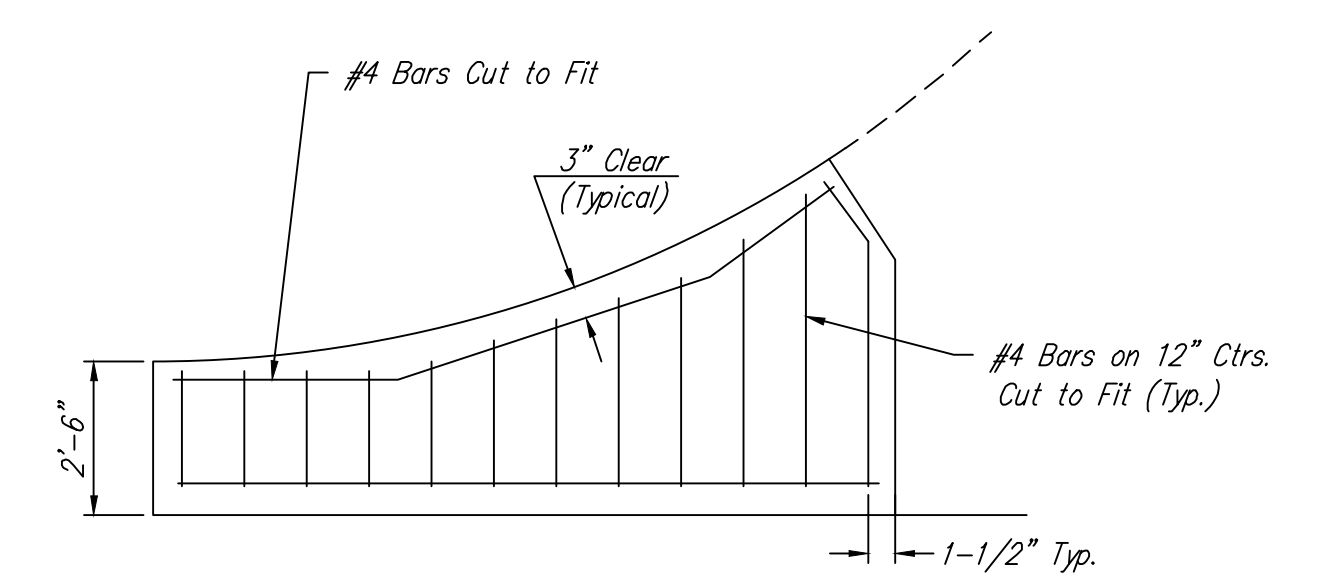
REINFORCED VALLEY GUTTER DETAIL




MONOLITHIC EDGE CURB



MONOLITHIC EDGE CURB



WING REINFORCING DETAIL

REVISION MAY 2017		SECTION B-B, ROCK EXTENDED ONE FOOT BEYOND PAVEMENT	
 CITY OF WICHITA			
VALLEY GUTTER DETAILS CITY ENGINEER GARY JANZEN, P.E.			
PROJECT NUMBER	OCA NUMBER	DATE	
472-85434	707140		
CITY ENGINEER'S OFFICE			SHEET
CITY HALL - SEVENTH FLOOR 455 NORTH MAIN STREET WICHITA, KANSAS 67202-1620 (316) 268-4501			20 of 134

Sheet: 01-20-2021, 12:56:51 PM by: BILL SEASON
 Plot Date: 11-07-2021, 2:16:00 PM by: BRS
 U:\wchita-civil\2017\171395\001\Drawings\171395-001-200-VALLEY GUTTER DETAILS