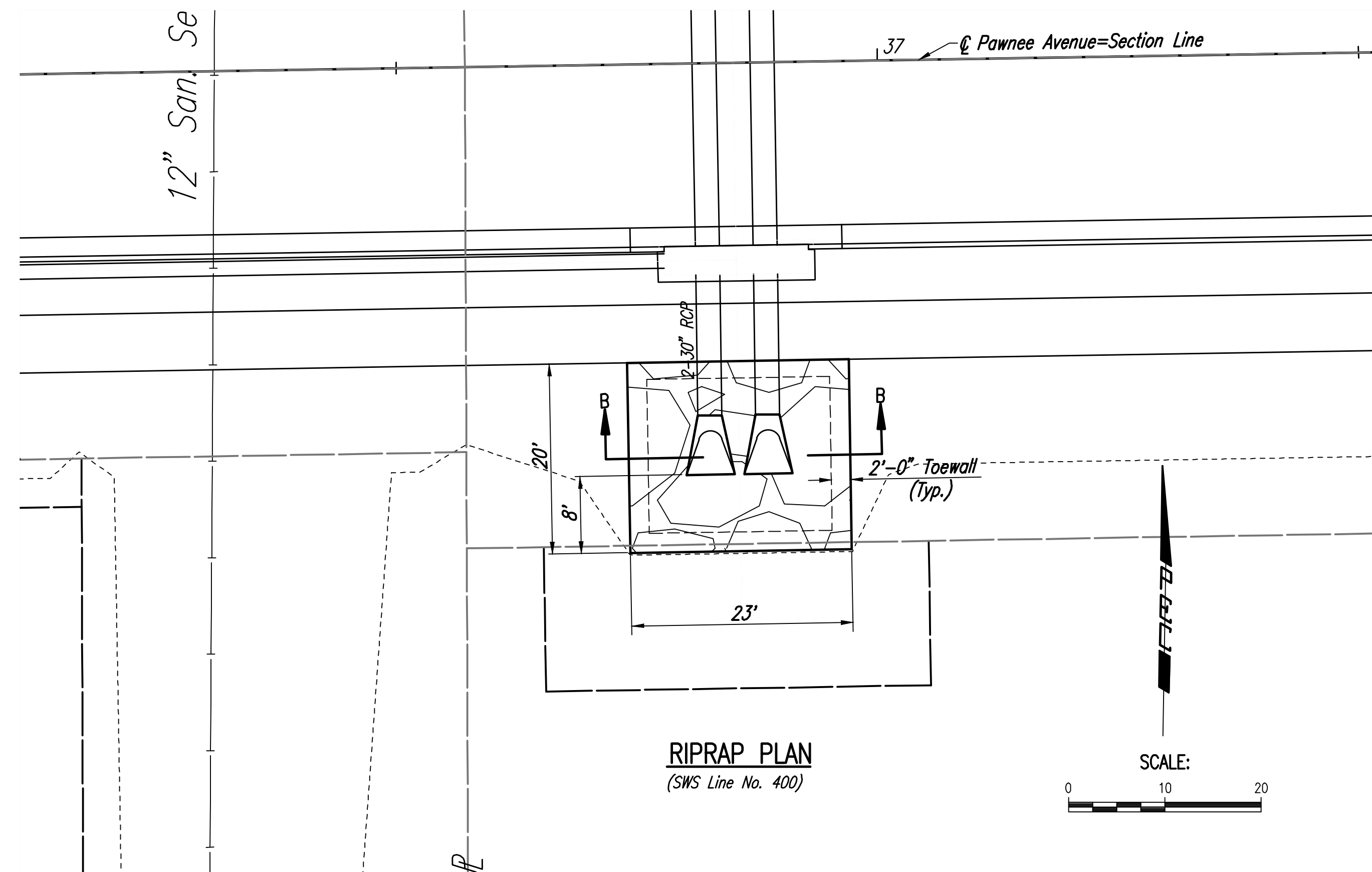


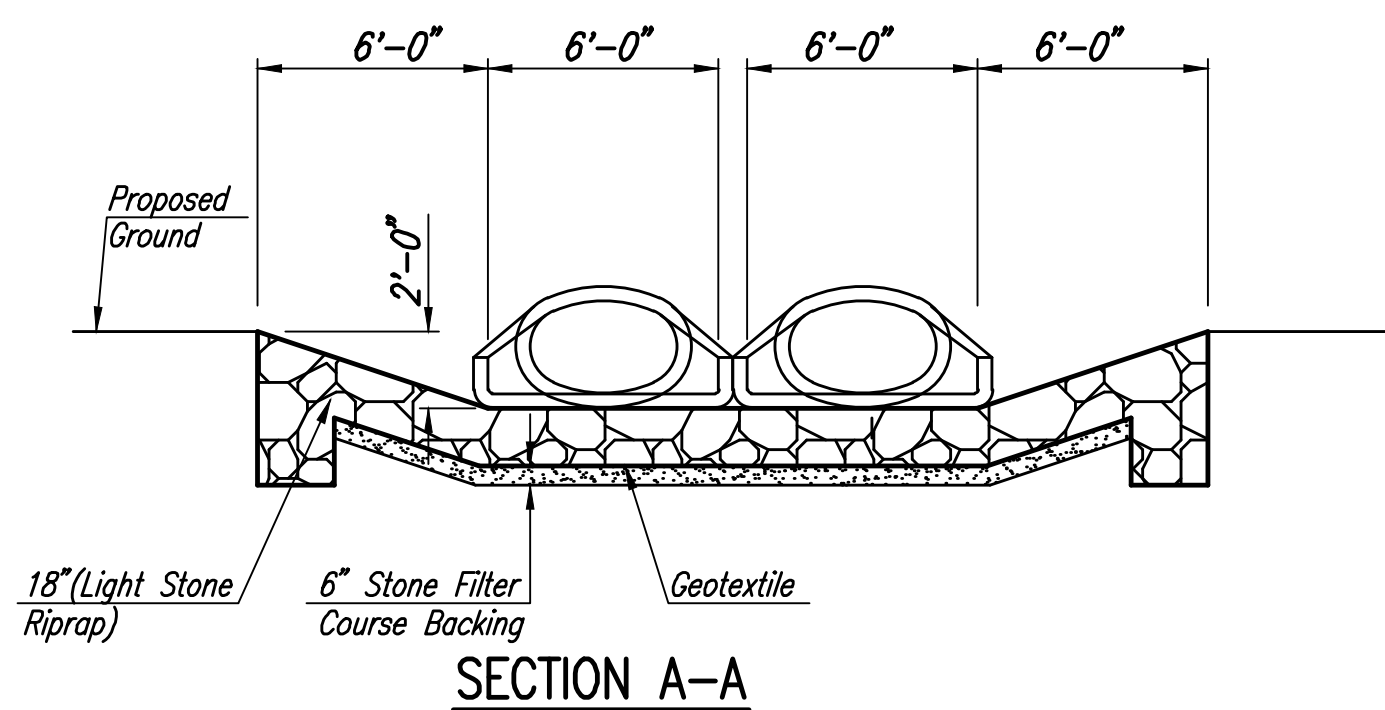
RIPRAP PLAN
(SWS Line No. 100)

SCALE:
0 10 20

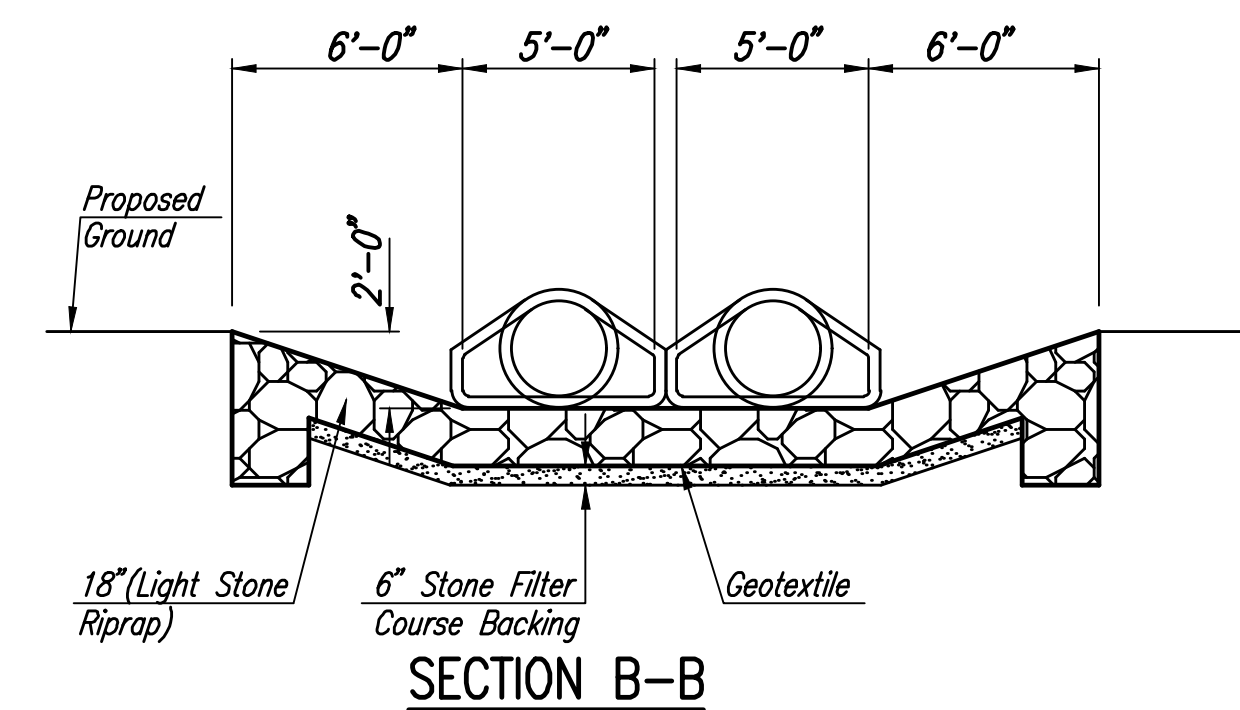


RIPRAP PLAN
(SWS Line No. 400)

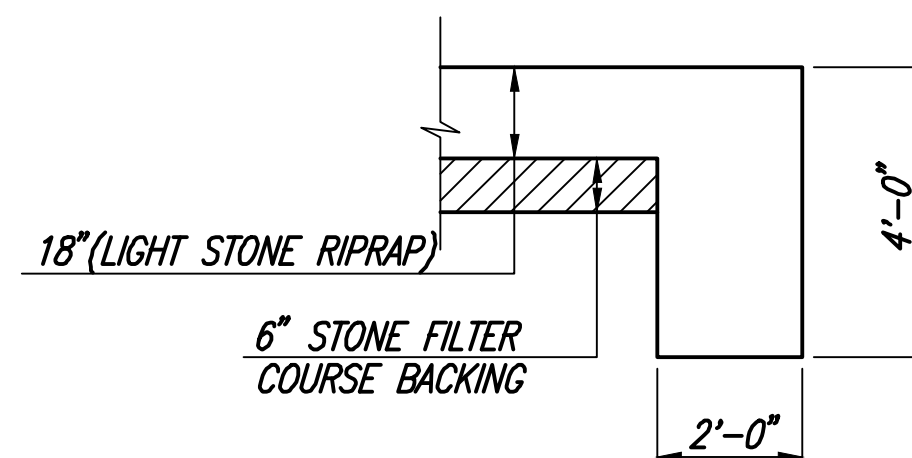
SCALE:
0 10 20



SECTION A-A



SECTION B-B



TYPICAL SECTION THRU TOEWALL
NO SCALE

NOTES

- ALL RIPRAP FOR THIS PROJECT SHALL BE NATURAL STONE. NEITHER BROKEN CONCRETE, FABRIC ENVELOPE, NOR PREMIXED DRY PACKAGED CONCRETE BAG ALTERNATES WILL BE ALLOWED, UNLESS INDICATED OTHERWISE.
- TOEWALLS SHALL BE INSTALLED ALONG ALL UNPROTECTED EDGES OF STONE RIPRAP.
- GROUTING OF THE SURFACE OF THE RIPRAP SHALL NOT BE PERFORMED, UNLESS INDICATED OTHERWISE. GROUTING OF THE TOEWALLS SHALL BE PERFORMED PER CITY SPECIFICATIONS.

LIGHT STONE RIPRAP DETAILS

Served 04-09-2021 10:45:52 AM by BILL SEYKORA
 Plot Scale 1:1 07-09-2021 2:28:45 PM by BJS
 U:\Wichita-civil\2017\171395\001\muni-items\Drawings\171395-001-9C-RIPRAP AND MISCELLANEOUS DRAINAGE DETAILS

	PAWNEE AVENUE FROM WEBB TO GREENWICH PAVING AND INCIDENTAL DRAINAGE IMPROVEMENTS RIPRAP AND MISCELLANEOUS DRAINAGE DETAILS GARY JANZEN, P.E.—CITY ENGINEER CITY OF WICHITA PROJECT NO. 472-85434		
	Designed by RJS Drawn by BJS, CP	Job No. 171395-002 Date APRIL 2021	Sht. 49 of 134
	No. _____ Revision _____ By _____ Date _____		