

EARTHWORK SUMMARY (C.Y.) *		
	Excavation	Compacted Fill (95%)
Pawnee-Stage 1C	115	324
Pawnee-Stage 2	14,345	1,460
Pawnee-Stage 3	13,805	2,000
TOTALS	28,265	3,784

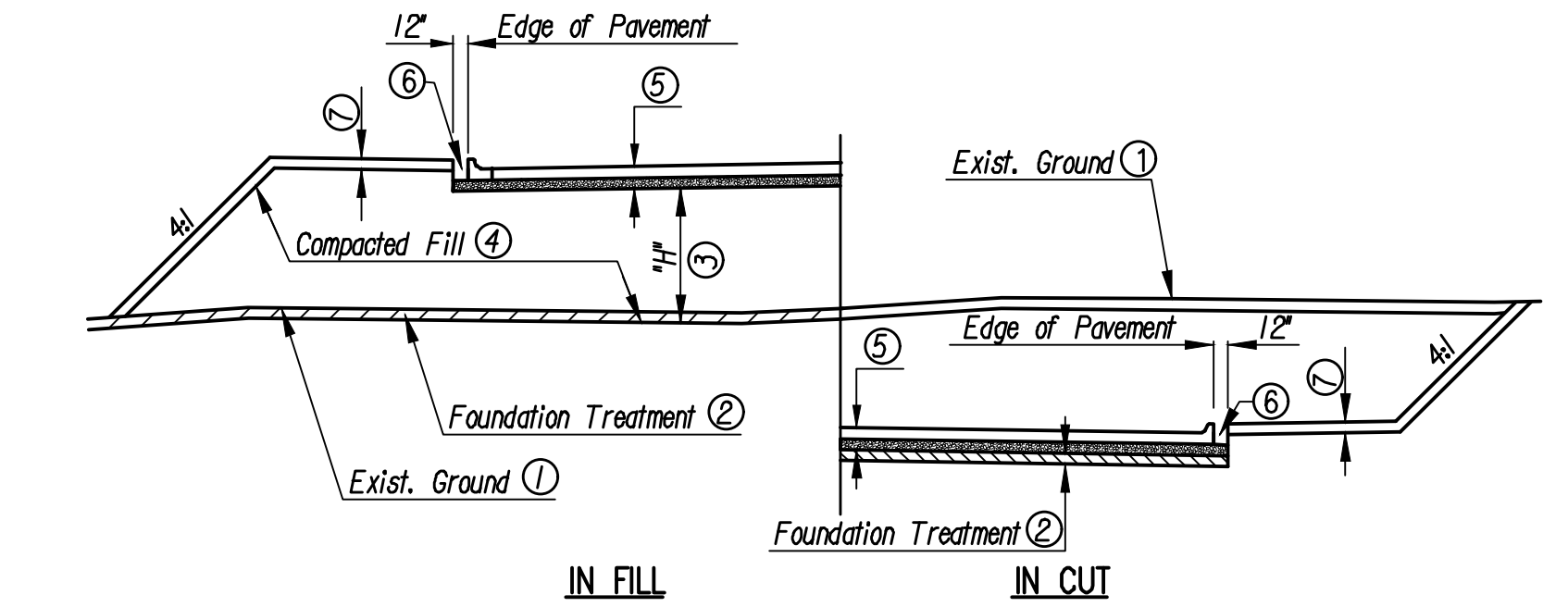
* REMOVAL OF TEMPORARY WIDENING FILL IS INCLUDED IN STAGE 3 EARTHWORK QUANTITY FOR INFORMATION ONLY.

STAGE 1C - ESTIMATED BORROW MATERIAL (CONTRACTOR FURNISHED)
 (324/0.80) - 115 = 290 C.Y.
 VMF = 0.80 (ASSUMED)

STAGE 2 AND 3 - ESTIMATED EXCESS MATERIAL (CONTRACTOR DISPOSAL)
 (14,345 + 13,805) - ((1,460 + 2,000)/0.80) = 23,825 C.Y.
 VMF = 0.80 (ASSUMED)

EXCESS MATERIAL SHALL BE REMOVED FROM THE PROJECT SITE IN ACCORDANCE WITH THE GENERAL NOTES ON SHEET NO. 02.

THE CONTRACTOR SHALL SATISFY THEMSELVES WITH THE EARTHWORK QUANTITIES AND NO CHANGE ORDER FOR EARTHWORK WILL BE APPROVED.

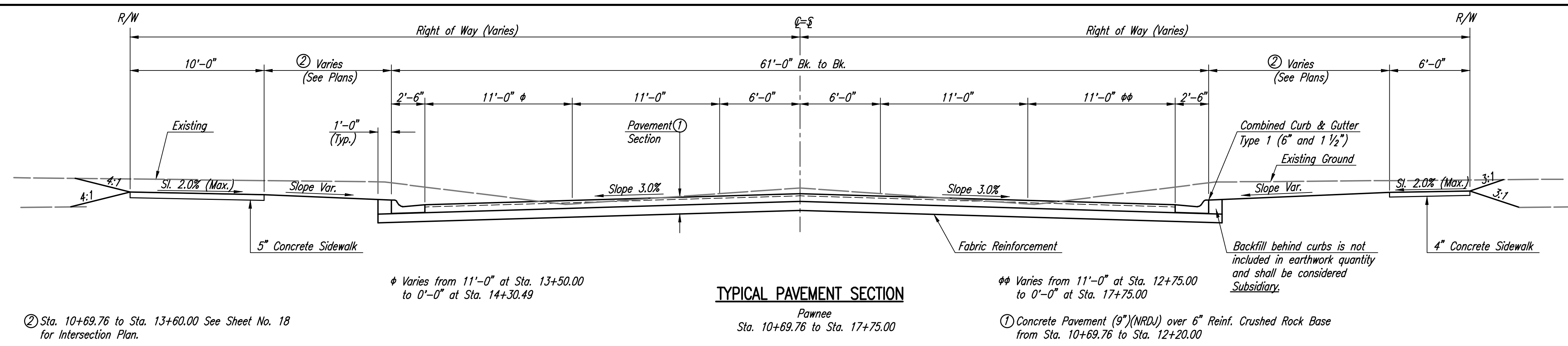


FOUNDATION TREATMENT & COMPACTION DIAGRAM

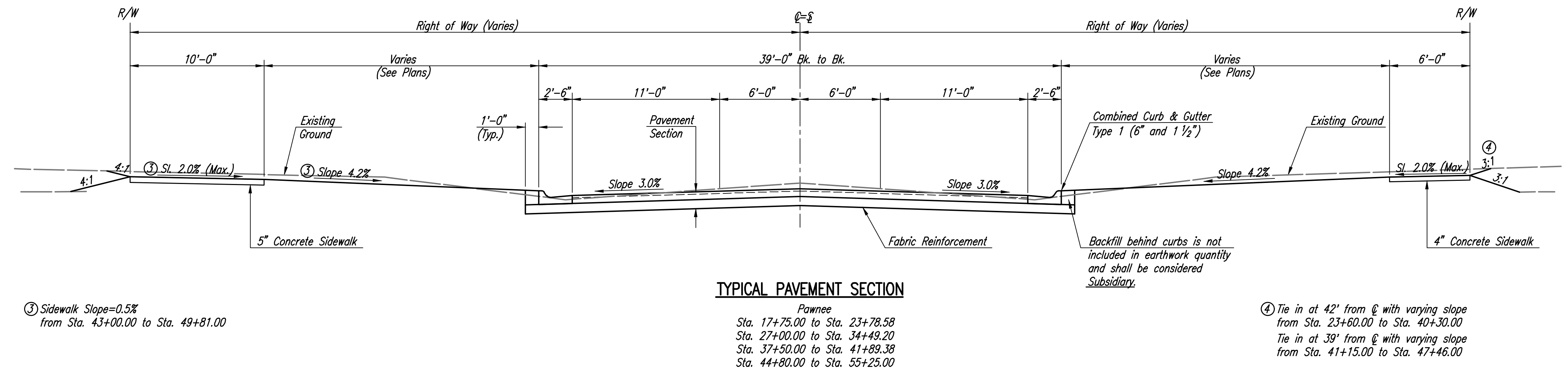
- ① STRIP TOPSOIL.
- ② SCARIFY AND COMPACT (6 INCHES) TO 95% ASTM D698.
- ③ "H" EQUALS FULL EMBANKMENT HEIGHT.
- ④ COMPACT TO 95% ASTM D698.
- ⑤ PAVEMENT SECTION, SEE TYPICAL SECTIONS THIS SHEET.
- ⑥ BACKFILL WITH SATISFACTORY SOIL. COMPACT TO 95% ASTM D698.
- ⑦ THE CONTRACTOR SHALL ARRANGE CONSTRUCTION PROCEDURES SO THE TOP 6 INCHES OF DISTURBED GROUND OUTSIDE OF PAVEMENT SHALL CONTAIN TOPSOIL SUITABLE FOR THE GROWTH OF NORMAL VEGETATION. COMPACT TO 95% ASTM D698.

FOUNDATION TREATMENT & COMPACTION SHALL BE CONSIDERED SUBSIDIARY TO THE BID ITEM "EXCAVATION".

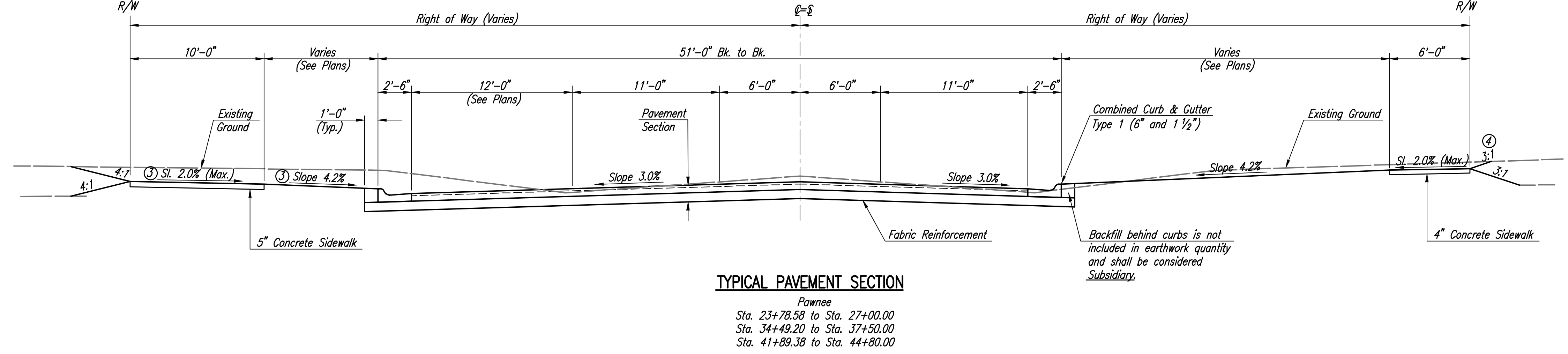
	No.	Revision	By	Date
	PAWNEE AVENUE FROM WEBB TO GREENWICH PAVING AND INCIDENTAL DRAINAGE IMPROVEMENTS			
	TYPICAL SECTIONS GARY JANZEN, P.E.—CITY ENGINEER CITY OF WICHITA PROJECT NO. 472-85434			
	PROFESSIONAL ENGINEERING CONSULTANTS, P.A. 303 SOUTH TOPEKA WICHITA, KS 67202 316-262-2691 www.pec1.com			
Designed by	RJS	Job No.	171395-002	Sht. 05 of 134
Drawn by	BJS, CP	Date	APRIL 2021	



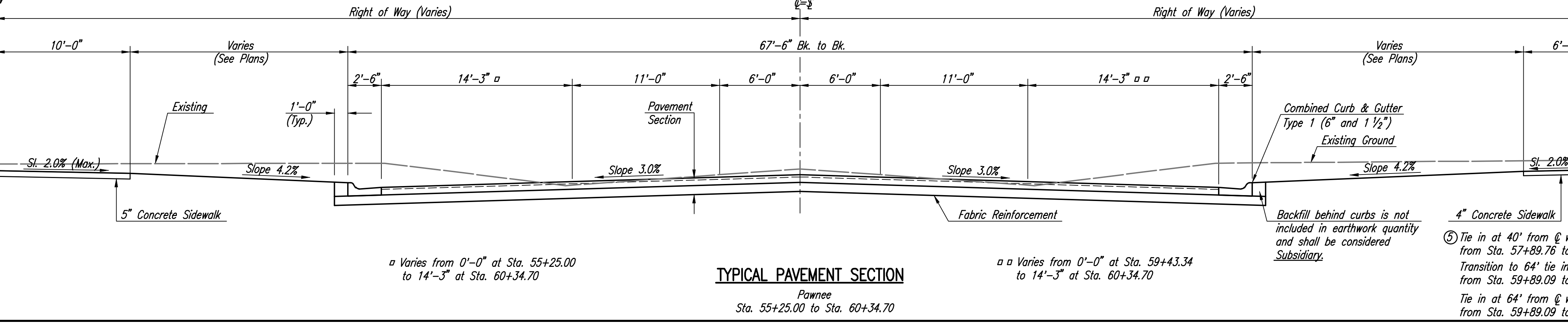
TYPICAL PAVEMENT SECTION
 Pawnee
 Sta. 10+69.76 to Sta. 17+75.00



TYPICAL PAVEMENT SECTION
 Pawnee
 Sta. 17+75.00 to Sta. 23+78.58
 Sta. 27+00.00 to Sta. 34+49.20
 Sta. 37+50.00 to Sta. 41+89.38
 Sta. 44+80.00 to Sta. 55+25.00



TYPICAL PAVEMENT SECTION
 Pawnee
 Sta. 23+78.58 to Sta. 27+00.00
 Sta. 34+49.20 to Sta. 37+50.00
 Sta. 41+89.38 to Sta. 44+80.00



TYPICAL PAVEMENT SECTION
 Pawnee
 Sta. 55+25.00 to Sta. 60+34.70

Sowed 04-09-2021 4:35:36 PM by: AGENCY SKAGCS
 Plot Scale 1:1 07-09-2021 2:15:08 PM by: BJS
 U:\wchita-civil\2017\171395\001\main-trans\Drawings\171395-001-05C-TYPICAL SECTIONS