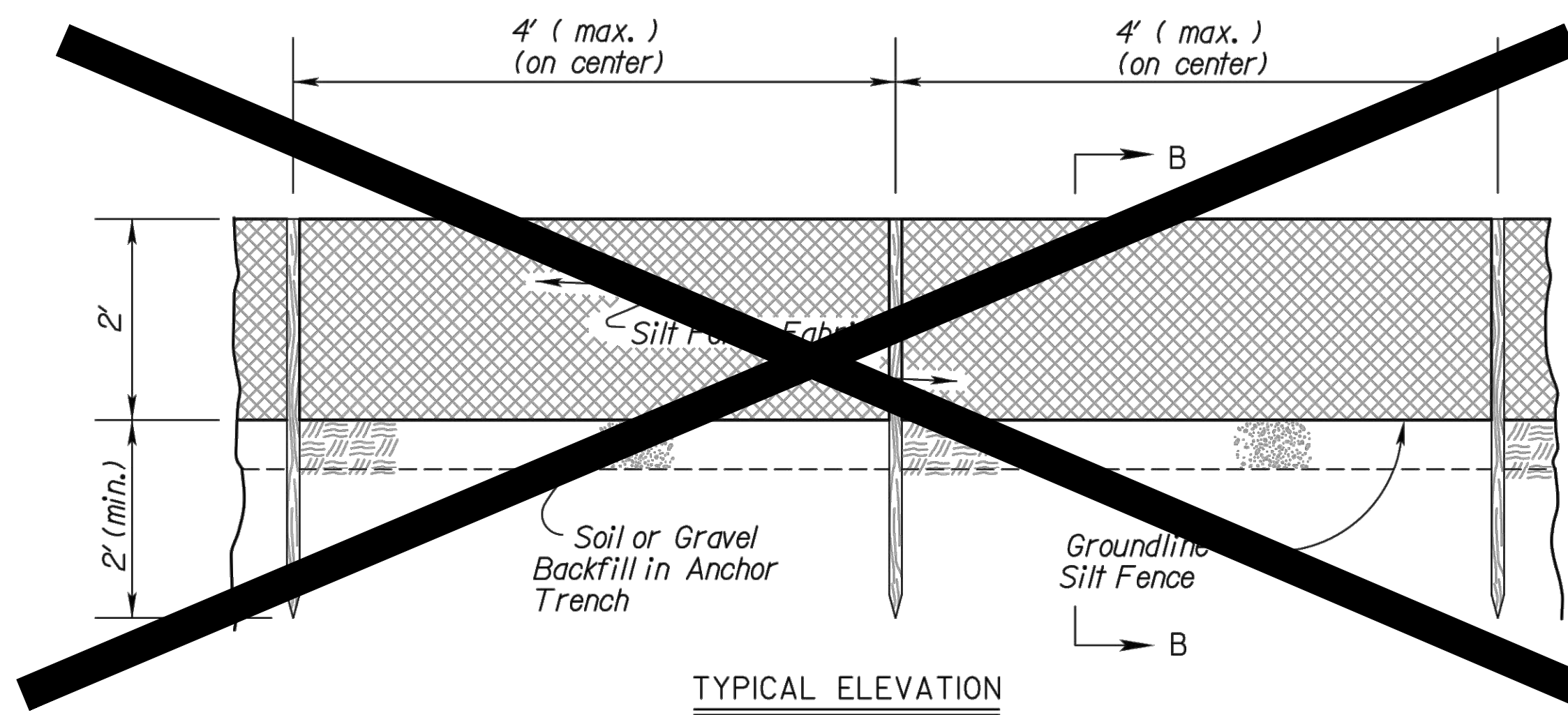


**INSTALLATION NOTES**

- SILT FENCE:**
1. Fences shall be 4' (min.) long and of one of the following methods:
    - a. Hardwood - 1 3/16" x 1 3/16";
    - b. Southern Pine (No. 2) - 2 5/8" x 2 5/8";
    - c. Steel U, T, L, or C-section - .95 lb./ft. x 1'-0"; or
    - d. Synthetic - same strength as wood stakes.
  2. Attach fence fabric with zip ties within the top 8" of the fence. Alternate attachment methods may be approved by the Engineer on a performance basis.
  3. High flow material is acceptable.
  4. Refer to plan sheets to estimate the length of silt fence required.

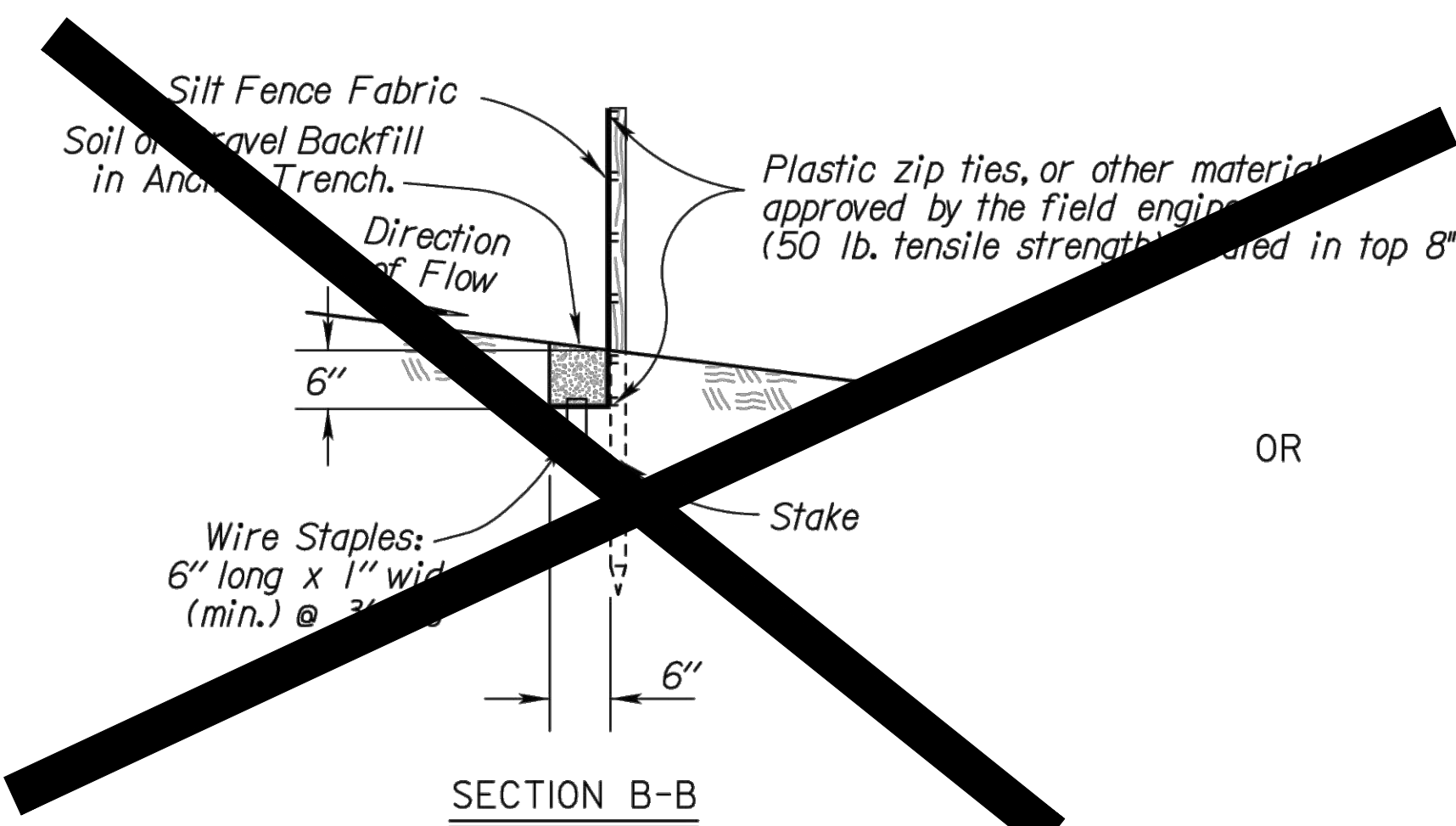
**BIODEGRADABLE LOG OR FILTER SOCK**

1. Place biodegradable logs or filter sock tightly together minimum overlap of 18".
2. Wood stakes shall be 2" x 2" (nom.).
3. Refer to plan sheets to estimate length of biodegradable log and filter sock required.
4. Each log or sock (except compost filter socks) should be keyed into the ground at a minimum of 25% of its height. Compost filter socks should be placed on smooth prepared ground with no gaps between the sock and soil.
5. Length of stakes should be 2 times the height of the log at a minimum with minimum ground embedment equal to the height of the log / sock.

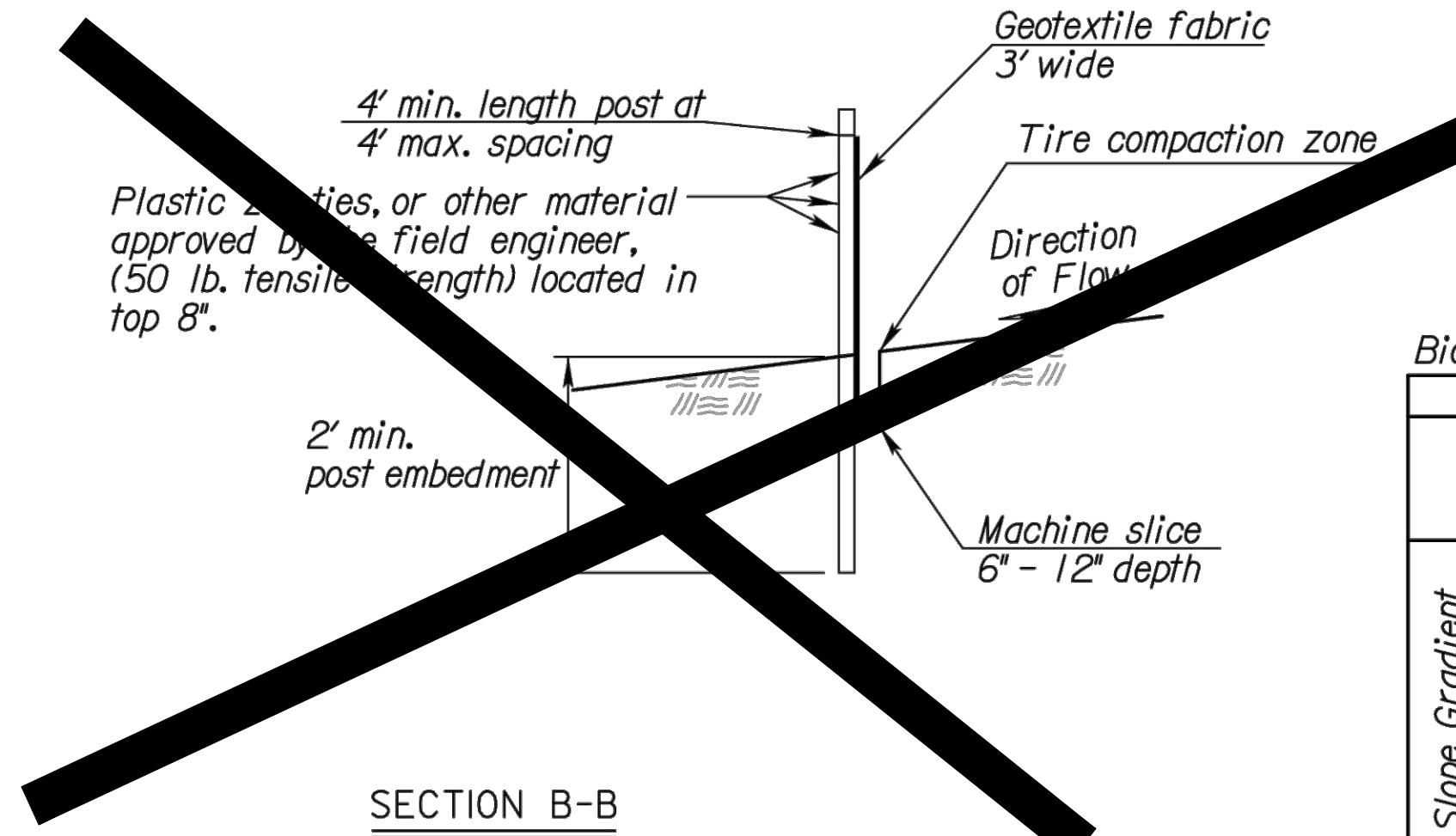


**TYPICAL ELEVATION**

**SILT FENCE BARRIER**  
NO SCALE



**SECTION B-B**



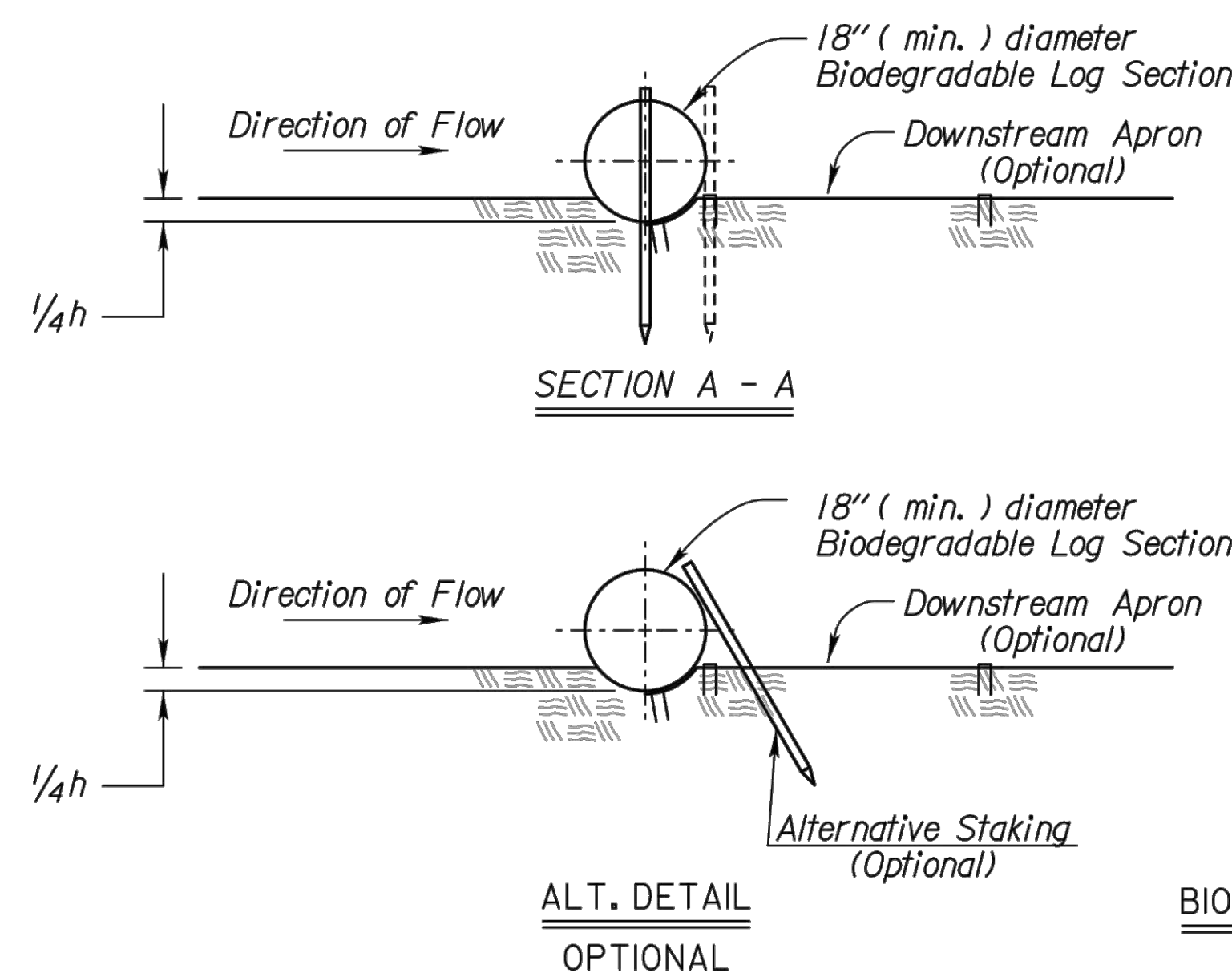
**SECTION B-B**

**Biodegradable Log or Filter Sock Slope Interruptions**

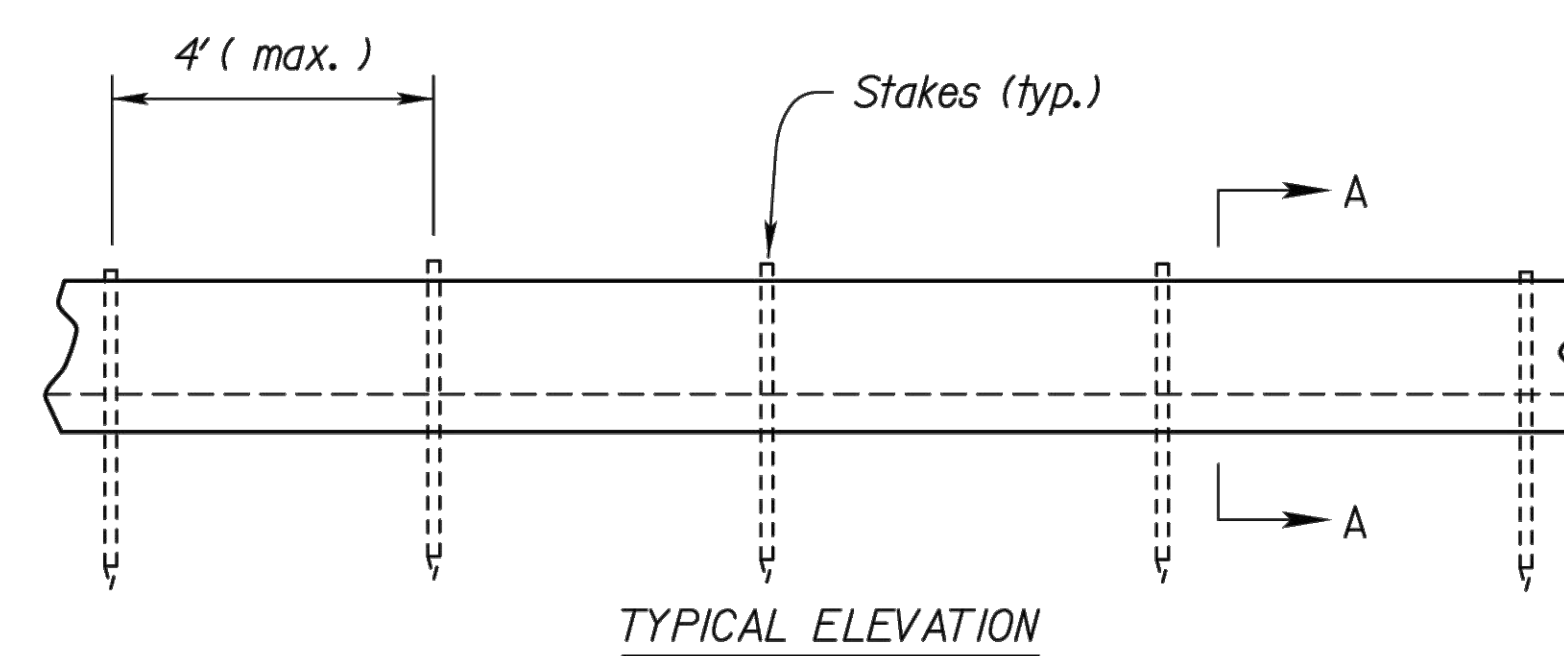
Slope Gradient	PRODUCT		
	9" Sediment Log or 8" Filter Sock (ft)	12" Sediment Log or 12" Filter Sock (ft)	20" Sediment Log or 18" Filter Sock (ft)
≤4H:1V	40	60	80
3H:1V	30	45	60

BIODEGRADABLE LOG MATERIAL		
	LOW FLOW	HIGH FLOW
9"	Straw/Compost	Excelsior / Wood Chips / Coconut Fiber
12"	Straw/Compost	Excelsior / Wood Chips / Coconut Fiber
18"-20"	Straw/Compost	Excelsior / Wood Chips / Coconut Fiber

Deviations should be approved by the Field Engineer.



**ALT. DETAIL**  
OPTIONAL



**TYPICAL ELEVATION**

**BIODEGRADABLE LOG SLOPE INTERRUPTIONS**  
OR Filter Sock

**GENERAL NOTES**

- 1) Slope interruptions shall be placed along contour lines, with a short section turned upgrade at each end of the barrier.
- 2) The maximum length of the slope interruptions shall not exceed 250 feet, and the barrier ends need to be staggered.
- 3) Interruptions damaged by Contractor's negligence, including improper maintenance or lack of maintenance, shall be repaired immediately by Contractor at no additional cost to KDOT.
- 4) Agricultural products, such as native prairie hay, used for mulching and erosion control practices, excluding wood based mulch, shall meet the North American Weed Free Forage Standards.

NO.	DATE	REVISIONS	BY	APP'D
3	6/28/16	Revised Standard	RA	SHS
2	3/01/15	Revised Standard	RA	SHS
1	6/01/13	Revised Standard	MRM	SHS

**KANSAS DEPARTMENT OF TRANSPORTATION**  
**TEMPORARY EROSION AND POLLUTION CONTROL**  
**SLOPE INTERRUPTIONS**  
**BIODEGRADABLE LOG / SILT FENCE**  
**LA852D**

DESIGNED	SHS	DATE	9/14/2016	APP'D	Scott H. Shields
DESIGN CK.	SHS	DETAIL CK.	QUAN. CK.	CADD	CADD CK.