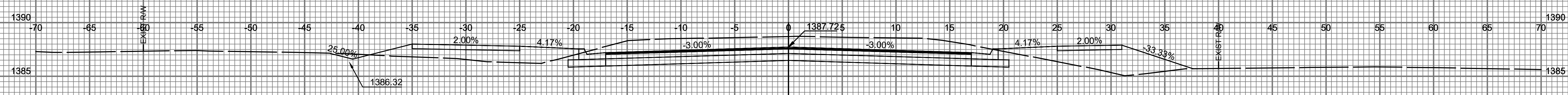
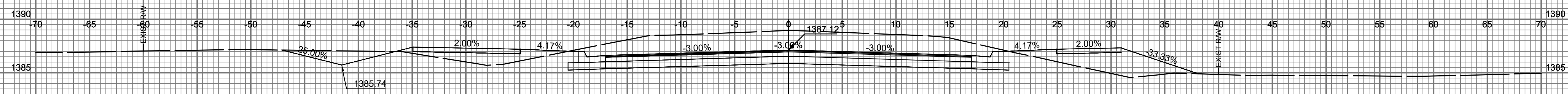


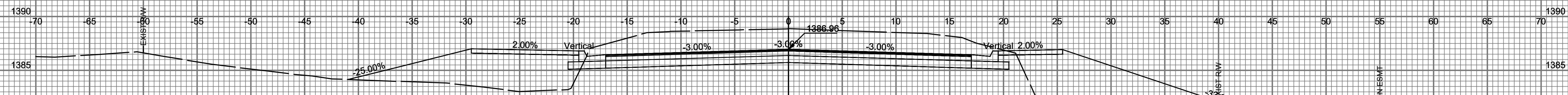
1" = 5' VERT.  
1" = 5' HORIZ.  
PAWNEE - CROSS SECTIONS



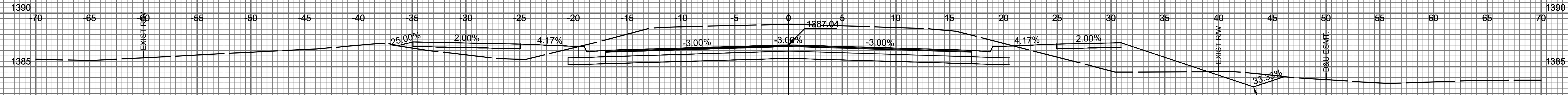
STAGE TWO		STAGE THREE	
CUT AREA	FILL AREA	CUT AREA	FILL AREA
C=36	F=18	C=46	F=19



STAGE TWO		STAGE THREE	
CUT AREA	FILL AREA	CUT AREA	FILL AREA
C=56	F=10	C=61	F=14



STAGE TWO		STAGE THREE	
CUT AREA	FILL AREA	CUT AREA	FILL AREA
C=48	F=50	C=66	F=2



STAGE TWO		STAGE THREE	
CUT AREA	FILL AREA	CUT AREA	FILL AREA
C=51	F=11	C=64	F=21

Saved: 07-26-2021 5:11:19 PM by BILL LSCON  
 U:\w\bill-scott\2017\1365\001\Cross Sections\Drawings\171365-001-92 Cross Sections