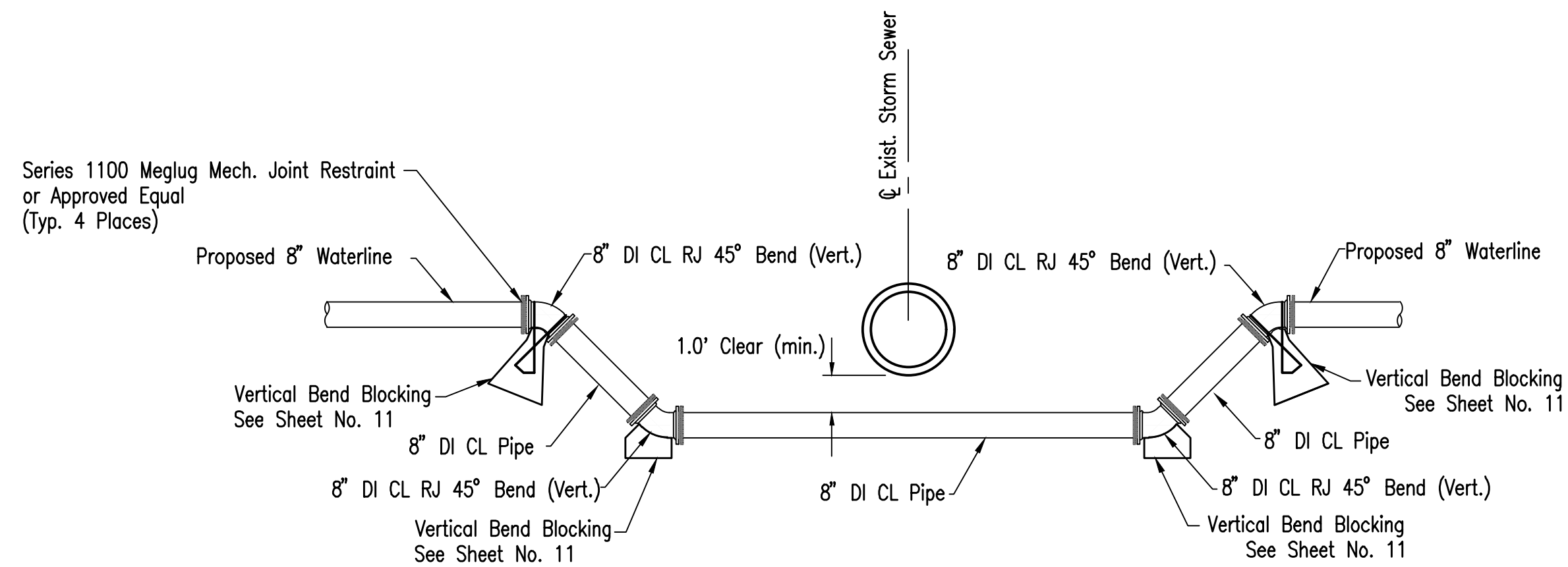


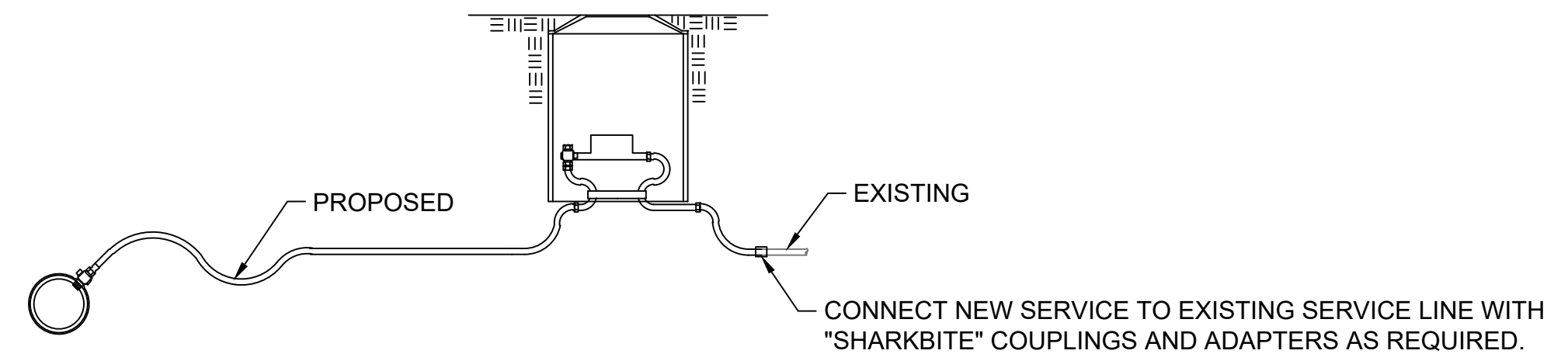
Saved: 04-09-2021 3:02:37 PM by KUPRIS/DEKAT
 Plot Scale: 1:1 07-07-2021 11:28:22 AM by BJS
 U:\Wichita-Civil\2017\171395\004\Drawings\171395-004-13-MISCELLANEOUS WATER DETAILS



WATERLINE ADJUSTMENT DETAIL (TYPICAL)

NOT TO SCALE

COST FOR THIS ADJUSTMENT SHALL BE INCLUDED IN THE BID ITEM "PIPE, WL 8", ADJUSTMENT".
 ITEM WILL NOT BE PAID IF NO ADJUSTMENT IS REQUIRED.



WATER SERVICE RECONNECTION DETAIL

NOT TO SCALE

METER SETTING REPLACEMENT SCHEDULE				
SERVICE LINE NO.	TAP LOCATION	METER BOX LOCATION	METER SETTING SIZE	APPROXIMATE 1" SERVICE LINE REQUIRED (FT.)
	1	WL 1, 12+86.82	69', Lt.	1"
2	WL 1, 12+96.90	67', Lt.	1"	67
3	WL 1, 14+62.92	70', Lt.	1"	70
4	WL 1, 17+70.90	69', Lt.	1"	69
5	WL 1, 18+61.75	69', Lt.	1"	69
6	CL PAWNEE, 16+58.51	74', Lt., WL 1	1"	74
7	CL PAWNEE, 45+14.65	68', Lt., WL 1	1"	68
TOTAL APPROXIMATE				
1" SERVICE LINE =				486'

METER SETTING REPLACEMENT

NOTES:

- METER SETTING REPLACEMENT SHALL INCLUDE TYPICAL METER SETTING PER THE DETAIL SHOWN ON SHEET 12. THE EXISTING METER IN THE EXISTING METER SETTING SHALL BE INSTALLED IN THE NEW METER SETTING WITH ADAPTORS AS REQUIRED. THE NEW SERVICE SHALL BE CONNECTED TO THE EXISTING CUSTOMER'S SERVICE WITH FITTINGS AS REQUIRED.
- ALL NEW SERVICE MATERIALS SHALL BE IN ACCORDANCE WITH CITY OF WICHITA STANDARD SPECIFICATIONS AND SPECIAL PROVISIONS.

	Revision		By	Date
	PAWNEE AVENUE FROM WEBB TO GREENWICH PAVING AND INCIDENTAL DRAINAGE IMPROVEMENTS MISCELLANEOUS WATER DETAILS			
	GARY JANZEN, P.E.—CITY ENGINEER CITY OF WICHITA PROJECT NO. 472-85434			
	PROFESSIONAL ENGINEERING CONSULTANTS, P.A. 303 SOUTH TOPEKA WICHITA, KS 67202 316-262-2891 www.pec1.com			
Designed by	TBK	Job No.	171395-004	Sht. 13 of 15
Drawn by	KTD	Date	JANUARY 2021	