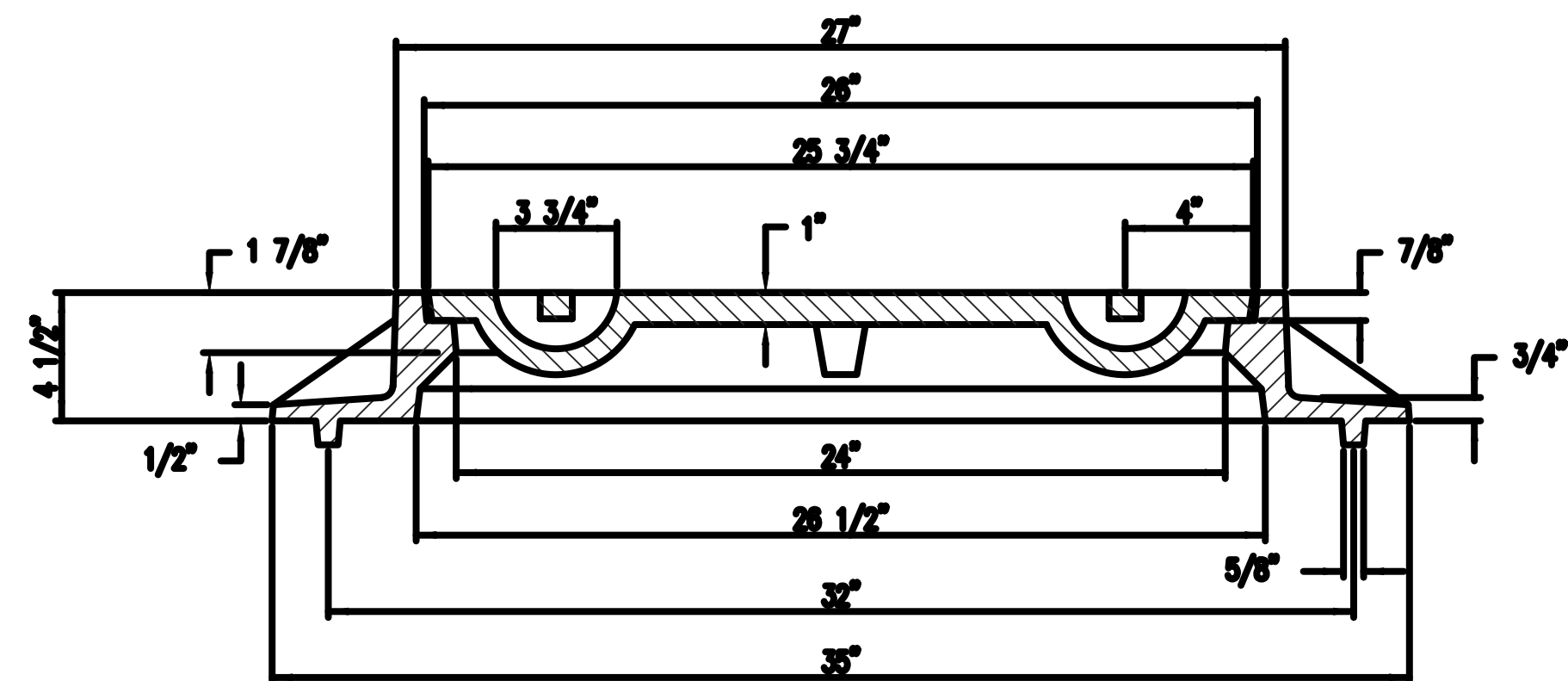
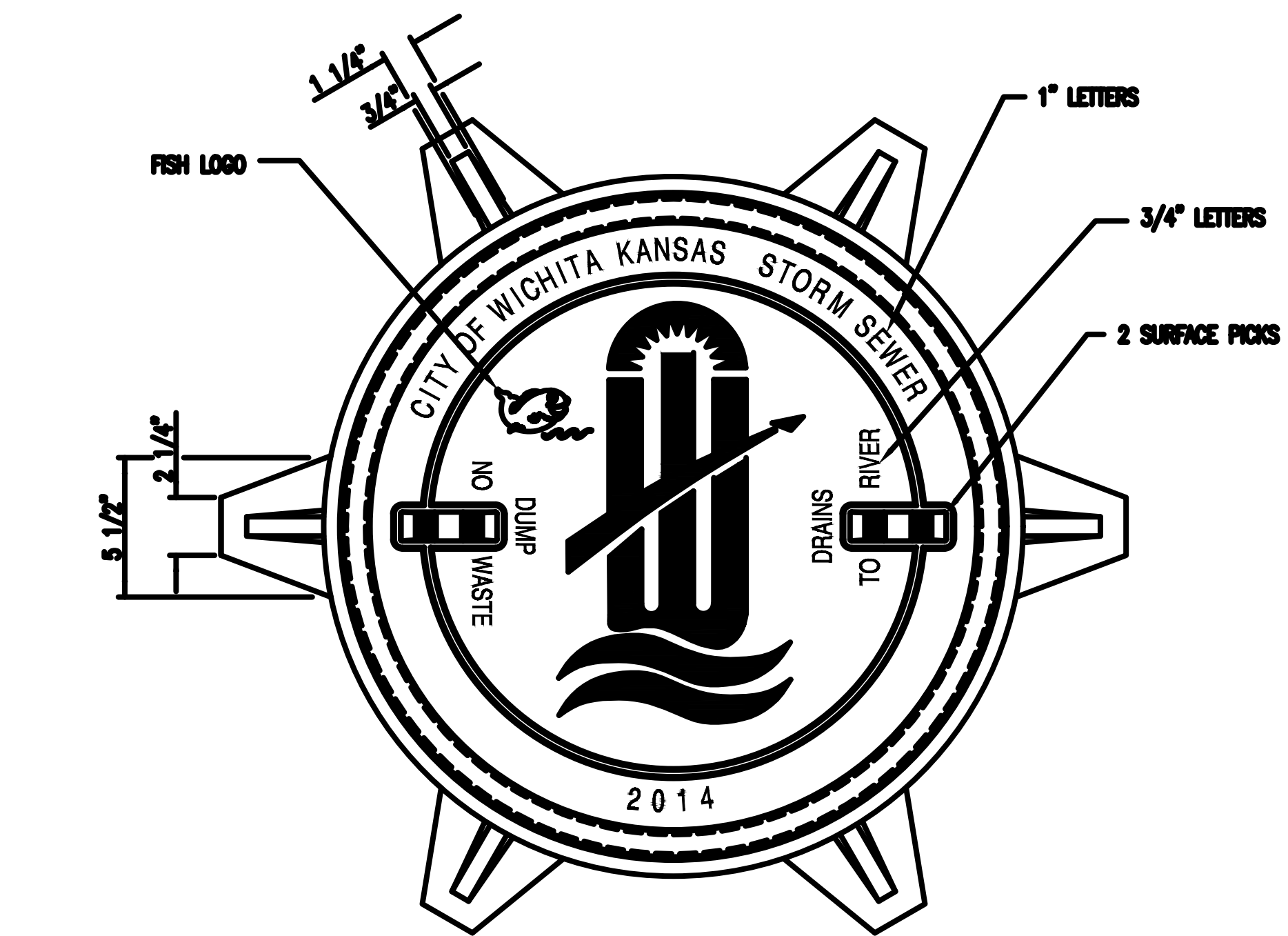


MANHOLE FRAME
DEETER #1261 OR EJIW #1936-Z1

- NOTE:
1. FURNISHED WITH MACHINED HORIZONTAL BEARING SURFACE.
 2. COVER TO BE DEETER #1261 OR EJIW #1936A.



INLET FRAME
DEETER #2014 OR EJIW #1936-Z4

- NOTE:
1. FURNISHED WITH MACHINED HORIZONTAL BEARING SURFACES.
 2. NOT TO BE USED UNDER PAVEMENT.
 3. COVER TO BE DEETER #1261 OR EJIW #1936A.



MANHOLE/INLET FRAME AND COVER (STORM SEWER)			
CITY ENGINEER Gary Janzen, P.E.			
PROJECT NUMBER	OGA NUMBER	DATE	
CITY ENGINEER'S OFFICE CITY HALL - SEVENTH FLOOR 455 NORTH MAIN STREET WICHITA, KANSAS 67202-1620 (316) 268-4501		DESIGN Staff	CHECK Staff
		SHEET of	

Baughman Company, P.A.
 REGISTERED PROFESSIONAL ENGINEERS
 ENGINEERING, SURVEYING, PLANNING & LANDSCAPE ARCHITECTURE
 1100 S. WILSON ST., SUITE 100
 WICHITA, KANSAS 67202
 APPROVED: [Signature] DATE: 07/20

TRINITY POINT 2ND ADDITION
MANHOLE FRAME & COVER DETAILS (SWS)
 STREET & SWS IMPROVEMENTS