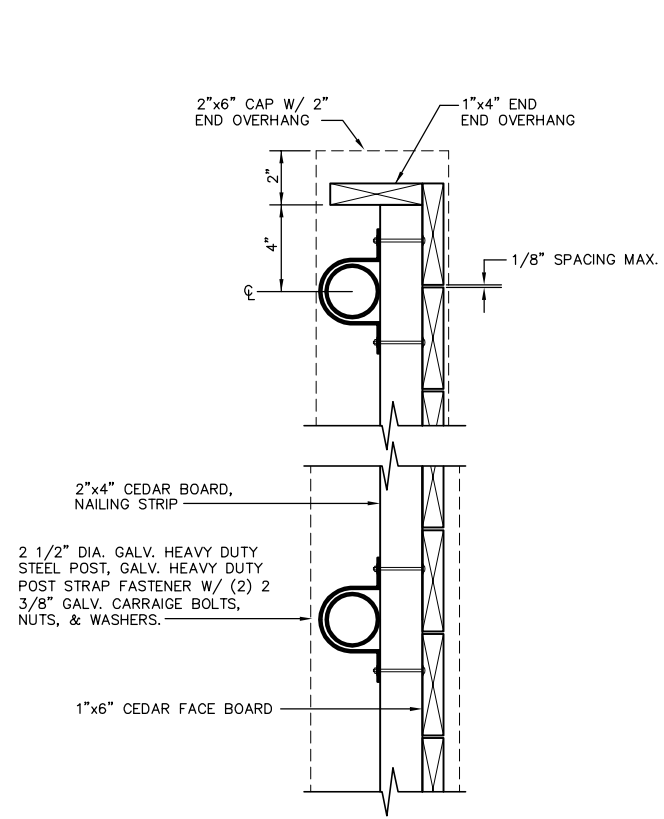
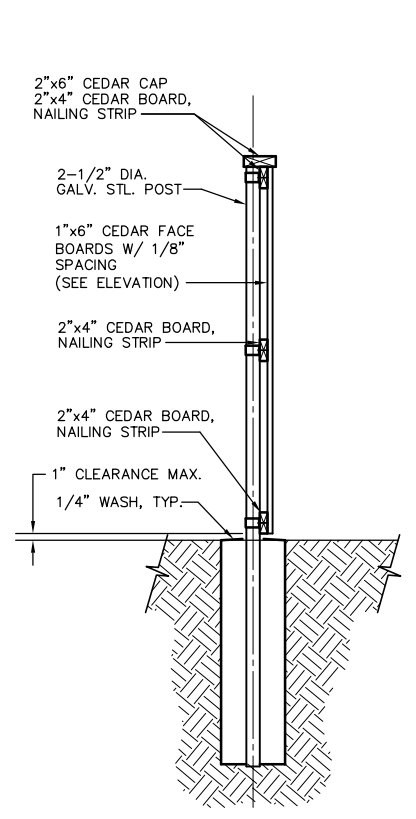


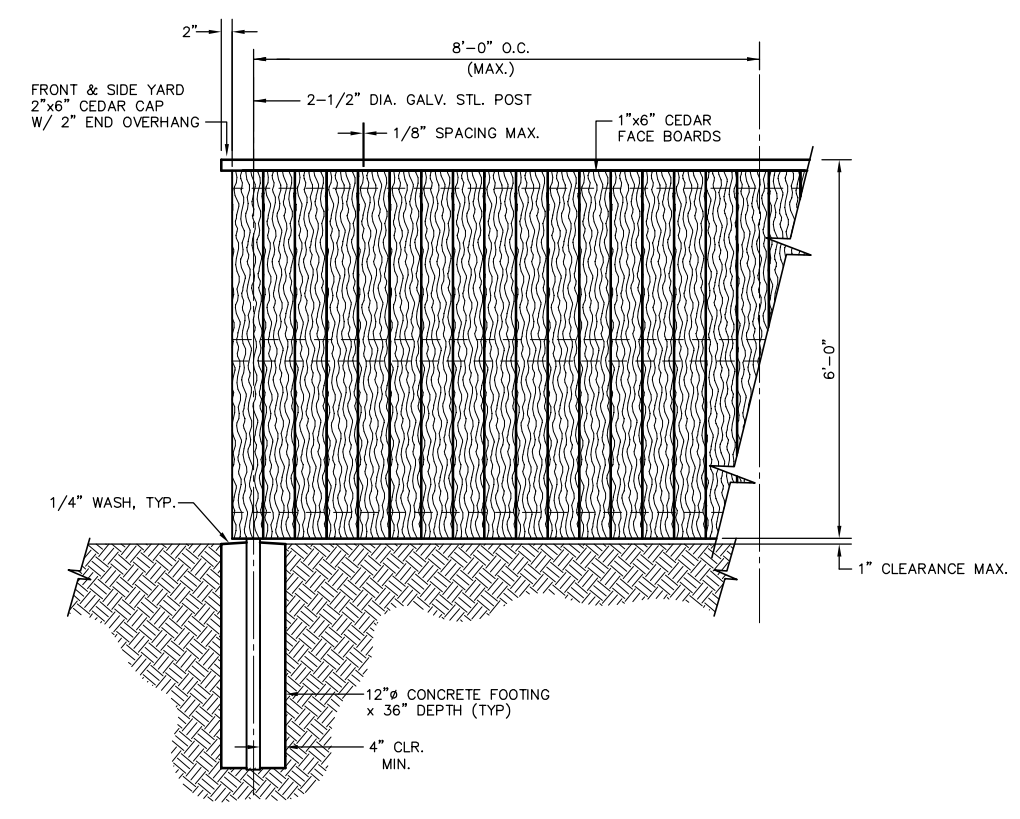
18 17 16 15 14 13 12 11 10 9 8 7 6 5 4 3 2 1



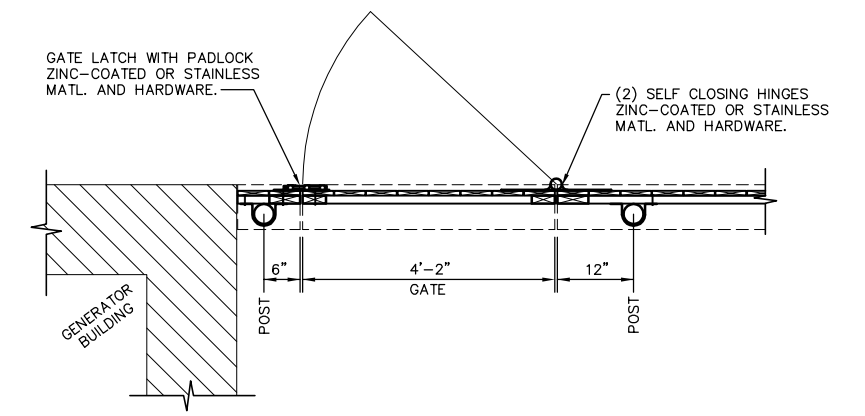
PLAN DETAIL
NO SCALE



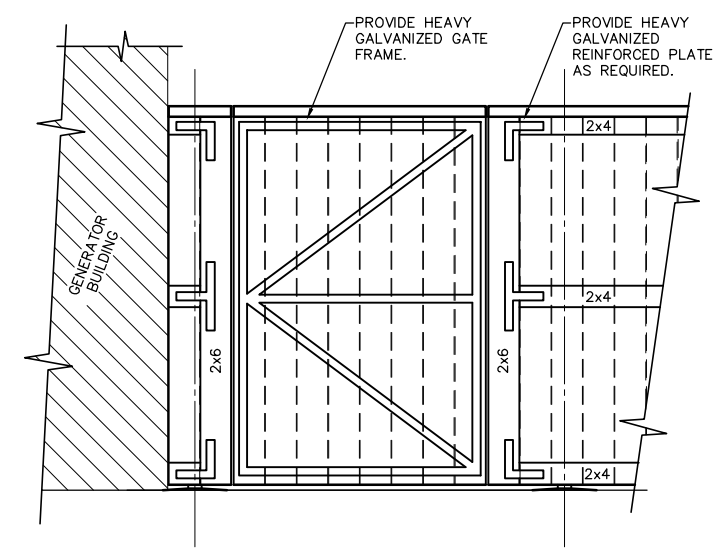
SECTION
NO SCALE



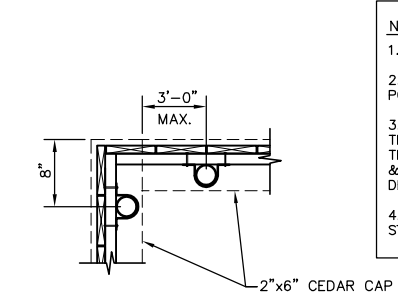
EXTERIOR ELEVATION
NO SCALE



GATE PLAN VIEW
NO SCALE

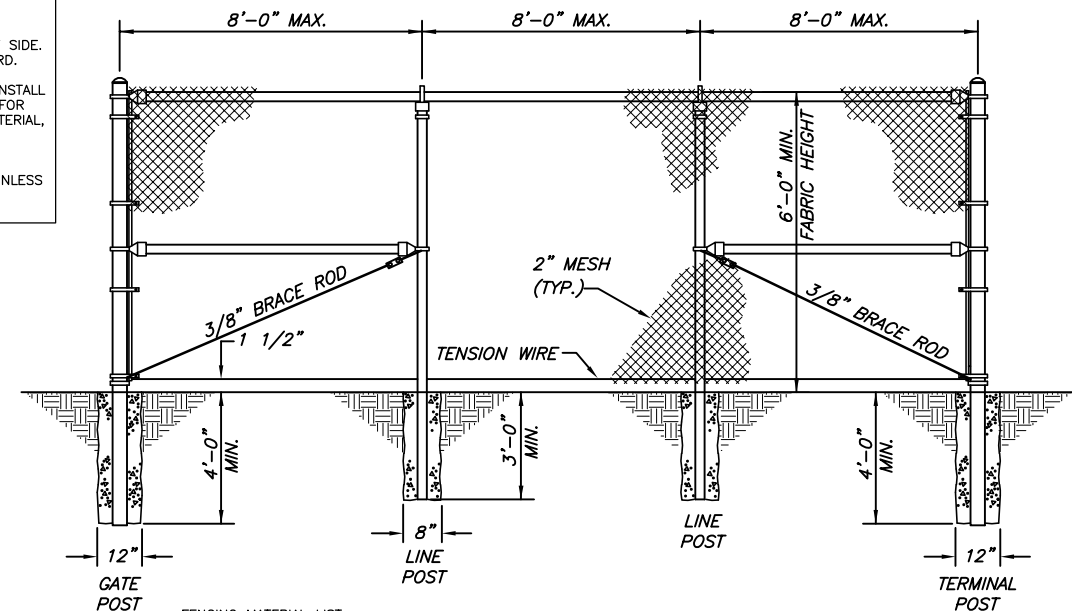


GATE ELEVATION
NO SCALE



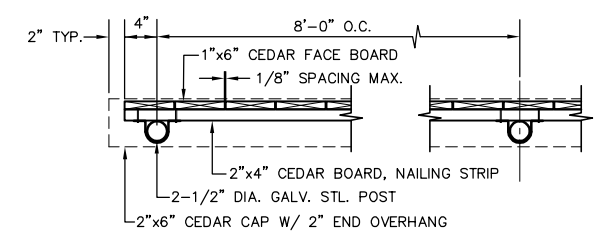
CORNER PLAN VIEW
NO SCALE

NOTES:
1. CONSTRUCTION OF FENCE SHALL BE CEDAR.
2. NO POST SHALL BE SEEN FROM THE STREET SIDE. POST SHALL BE INSTALLED IN THE INTERIOR YARD.
3. IT IS THE INTENT OF THE DESIGN TEAM TO INSTALL THE TEMPORARY FENCE POSTS TO BE REUSED FOR THE FUTURE CEDAR FENCE. ALL POST SIZE, MATERIAL, & SPACING TO CONFORM TO THE CEDAR FENCE DETAILS.
4. ALL HARDWARE TO BE ZINC-COATED OR STAINLESS STEEL.



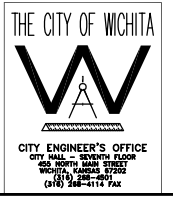
FENCING MATERIAL LIST
MATERIAL SHALL BE IN CONFORMANCE WITH APPLICABLE PORTION OF AASHTO DESIGNATION: M181. ALL FENCE COMPONENTS SHALL BE ZINC-COATED STEEL. EXCEPTIONS TO BE POSTS SIZES, MATERIAL AND PLACEMENT EQUAL TO CEDAR FENCE REQUIREMENTS.
WIRE MESH: ONE PIECE, FULL HEIGHT, 2" x 9 GAUGE, ZINC-COATED STEEL.
LINE POSTS: 2.5" O.D. WITH 0.276" MIN. WALL THICKNESS.
TERMINAL & CORNER POSTS: 2.5" O.D. WITH 0.276" MIN. WALL THICKNESS.
GATE POSTS: 2.5" O.D. WITH 0.276" MIN. WALL THICKNESS.
RAILS: 1 5/8" O.D. WITH 0.140" MIN. WALL THICKNESS.
TENSION WIRE: 0.177 (7 GAUGE) ZINC-COATED STEEL WARE, CONFORMING TO ASTM A824.

TYPICAL TEMPORARY CHAINLINK FENCE DETAIL
NO SCALE



PLAN VIEW
NO SCALE

CONFORMING TO
CONSTRUCTION RECORDS
4/20/07



| NO. | BY | DATE | DESCRIPTION |
|-----|-----|----------|--|
| 0 | DLM | 10/17/05 | ISSUE FOR CONSTRUCTION |
| | MJV | 4/26/07 | CONFORMING TO CONSTRUCTION RECORDS DELETED AIR RELEASE VAULT, ADDED 1'-0" TO EAST SIDE OF VALVE VAULT. |



CITY OF WICHITA, KANSAS
15th STREET PUMP STATION
AND FORCE MAIN
MISCELLANEOUS CIVIL DETAILS II

| DESIGNED BY | DLM | CHECKED BY | DLM |
|-------------|------------|------------|------------|
| DRAWN BY | MJV | DATE | JUNE, 2005 |
| PROJECT | 0301030310 | CONTRACT | - |
| DRAWING | C5 | REVISION | - 0 |

FILE: S:\ENVR\03310\BVG\DWG\03310_C5-MISC_CIVIL-2.dwg 10/11/2005 10:00:33 PM CST