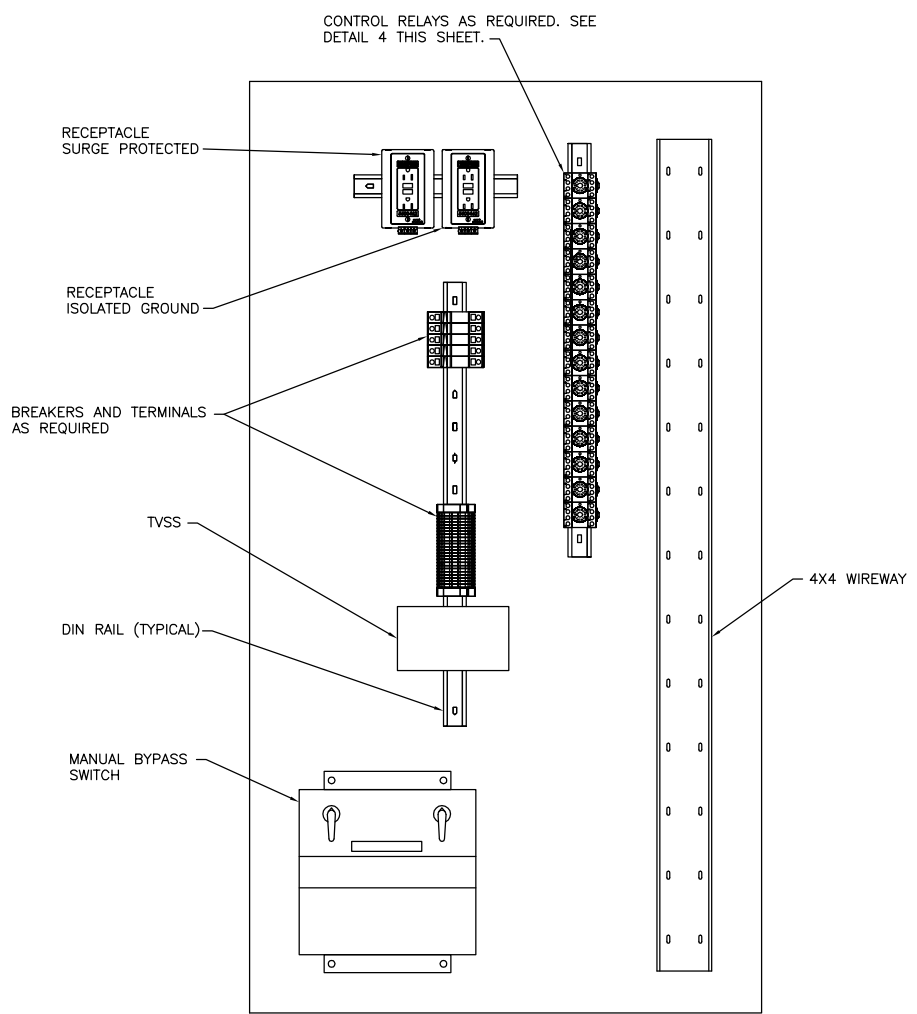


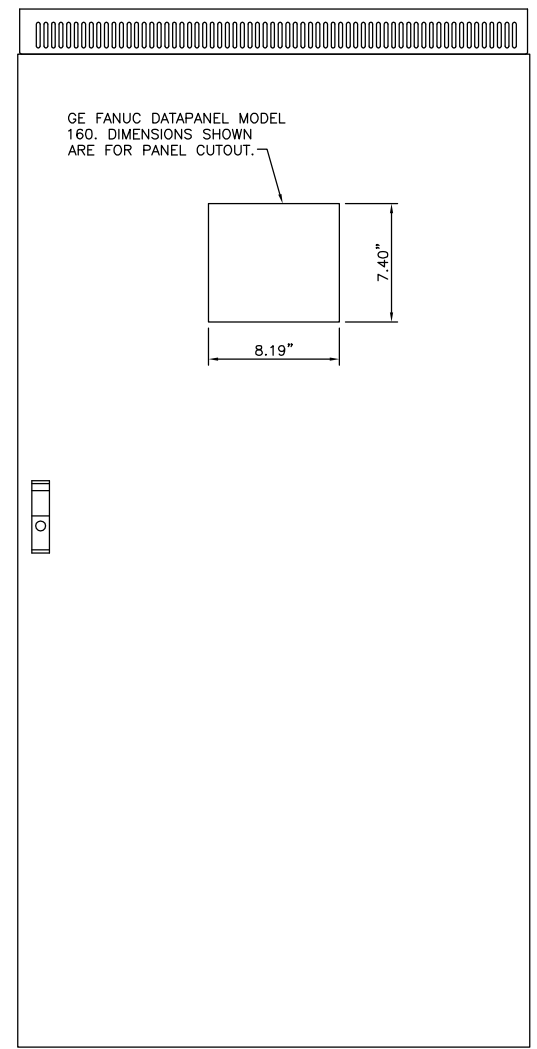
CABINET IS MINIMUM 32" WIDE X 32" DEEP X 72" HIGH, NEMA 1 FREESTANDING, SINGLE LOCKABLE DOOR HOFFMAN PROLINE MODULAR ENCLOSURE SYSTEM OR EQUAL.

KEYED NOTES
 ① SEE DETAIL 1 ON SHEET E7.

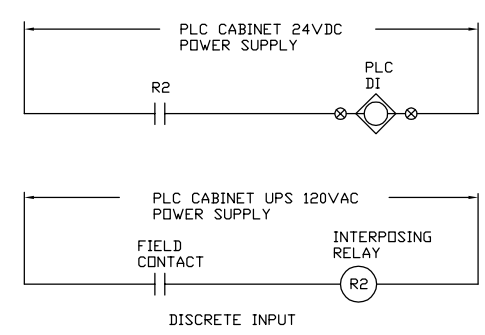
① PLC CABINET INTERIOR DETAIL
 SCALE: N.T.S.



② PLC CABINET SIDE PANEL DETAIL
 SCALE: N.T.S.



③ PLC CABINET FRONT PANEL DETAIL
 SCALE: N.T.S.

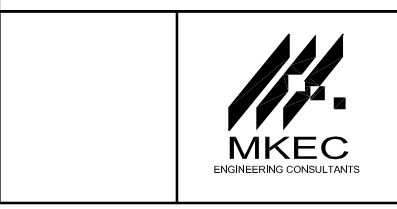


④ TYPICAL RELAY WIRING SCHEMATIC
 SCALE: N.T.S.

NO.	BY	DATE	DESCRIPTION
0	DLM	10/17/05	ISSUE FOR CONSTRUCTION
	MJV	4/26/07	CONFORMING TO CONSTRUCTION RECORDS DELETED AIR RELEASE VAULT, ADDED 1'-0" TO EAST SIDE OF VALVE VAULT.

--	--	--	--

--	--	--	--



CITY OF WICHITA, KANSAS
15th STREET PUMP STATION AND FORCE MAIN

PANEL DETAILS

DESIGNED BY	BH	CHECKED BY	SLA
DRAWN BY	MJV	DATE	JUNE, 2005
PROJECT	0301030310	CONTRACT	-
DRAWING	E8	REVISION	0

CONFORMING TO
CONSTRUCTION RECORDS
 4/20/07

