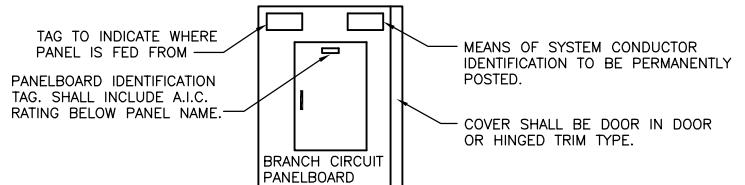


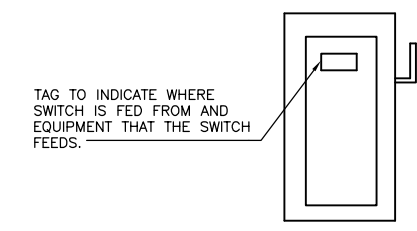
1 SERVICE GROUNDING DETAIL
SCALE: N.T.S.

SYSTEM CONDUCTOR IDENTIFICATION 120/208V, 3Ø, 4W		SYSTEM CONDUCTOR IDENTIFICATION 277/480V, 3Ø, 4W	
A-PHASE	- BLACK	A-PHASE	- YELLOW
B-PHASE	- RED	B-PHASE	- BROWN
C-PHASE	- BLUE	C-PHASE	- ORANGE
NEUTRAL	- WHITE	NEUTRAL	- GRAY
GROUND	- GREEN	GROUND	- GREEN
ISOLATED GROUND	- GREEN W/YELLOW STRIPE	ISOLATED GROUND	- GREEN W/YELLOW STRIPE

- CONDUCTOR I.D. NOTES:
- 3"x 3-1/2" NAMEPLATES TO BE INSTALLED PER N.E.C.-210-4D WITH 1/4" BLACK LETTERS ON WHITE BACKGROUND; FIELD RIVET TO PANEL COVER IN UPPER RIGHT HAND CORNER.
 - ELECTRICAL CONTRACTOR SHALL PURCHASE AND INSTALL IDENTIFICATION TAGS ON ELECTRICAL PANELS AS SHOWN.

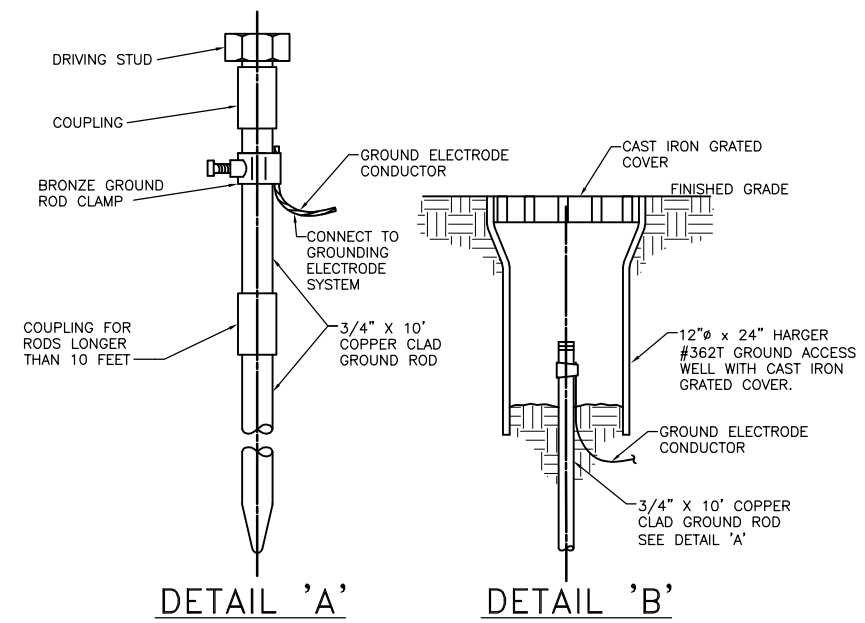


2 PANELBOARD LABELING DETAIL
SCALE: N.T.S.



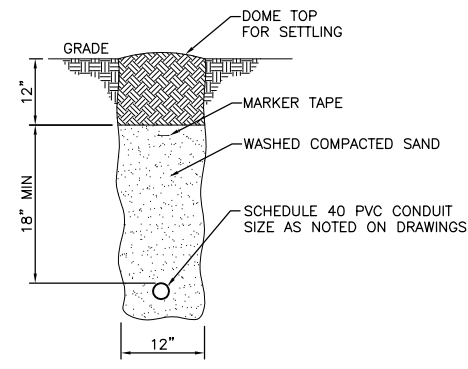
- SWITCH I.D. NOTES:
- NAMEPLATE TO BE INSTALLED WITH 1/4" BLACK LETTERS ON WHITE BACKGROUND; FIELD RIVET TO COVER.
 - ELECTRICAL CONTRACTOR SHALL PURCHASE AND INSTALL IDENTIFICATION TAGS.

5 SWITCH LABELING DETAIL
SCALE: N.T.S.

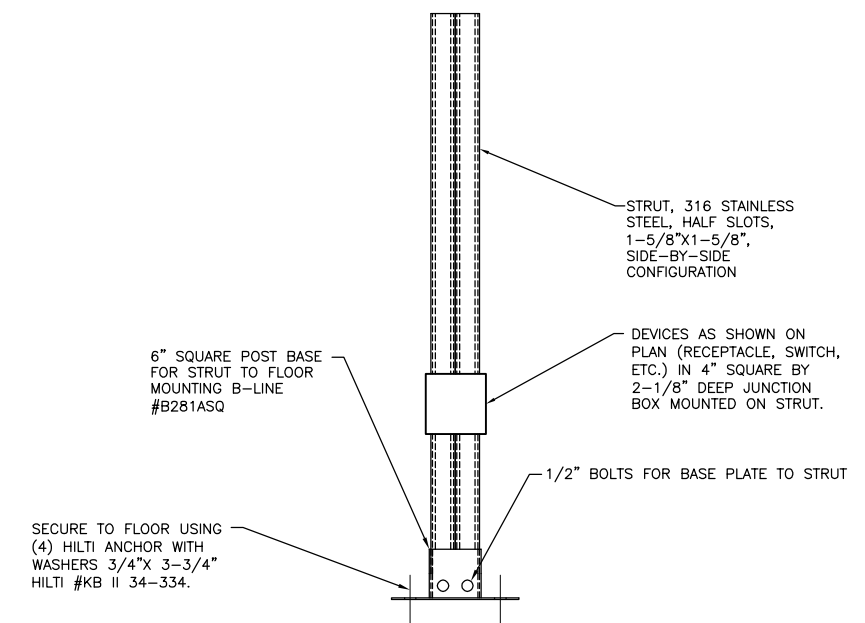


- NOTES:
- ALL PRODUCTS BY HARGER OR ENGINEER APPROVED EQUAL
 - INSTALL GROUND ROD AND TEST WELL IN SOIL ONLY. IF INSTALLED IN PAVEMENT USE CONCRETE TYPE. HARGER #360TD.

3 GROUND ROD DETAIL
SCALE: N.T.S.



4 TYPICAL TRENCH SECTION
SCALE: N.T.S.



6 STRUT MOUNTING DETAIL DETAIL
SCALE: N.T.S.

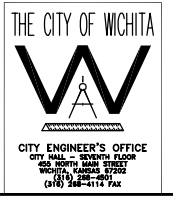
NO.	BY	DATE	DESCRIPTION
0	DLM	10/17/05	ISSUE FOR CONSTRUCTION
	MJV	4/26/07	CONFORMING TO CONSTRUCTION RECORDS DELETED AIR RELEASE VAULT, ADDED 1'-0" TO EAST SIDE OF VALVE VAULT.



CITY OF WICHITA, KANSAS
15th STREET PUMP STATION
AND FORCE MAIN

ELECTRICAL DETAILS I

CONFORMING TO
CONSTRUCTION RECORDS
4/20/07



DESIGNED BY	BH	CHECKED BY	SLA
DRAWN BY	MJV	DATE	JUNE, 2005
PROJECT	0301030310	CONTRACT	-
DRAWING	E9	REVISION	0
FILE S:\ENVR\03310\30310\Elec\03310-E3.dwg 09/12/2005 12:05:36 PM CST			