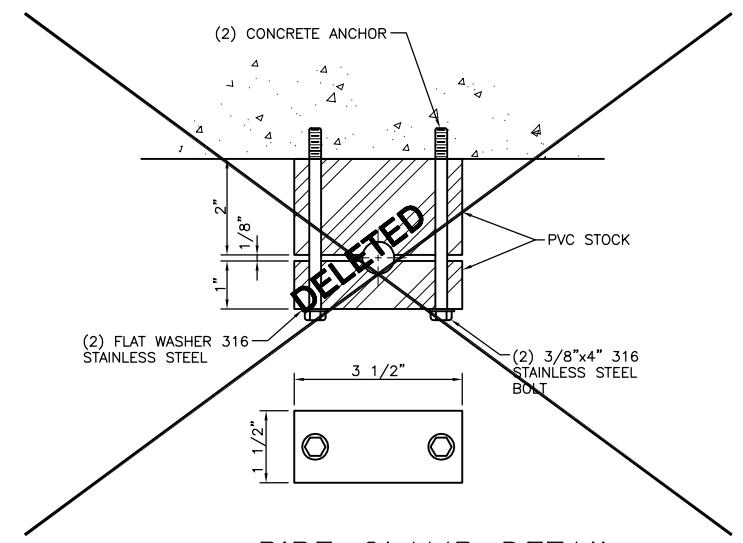
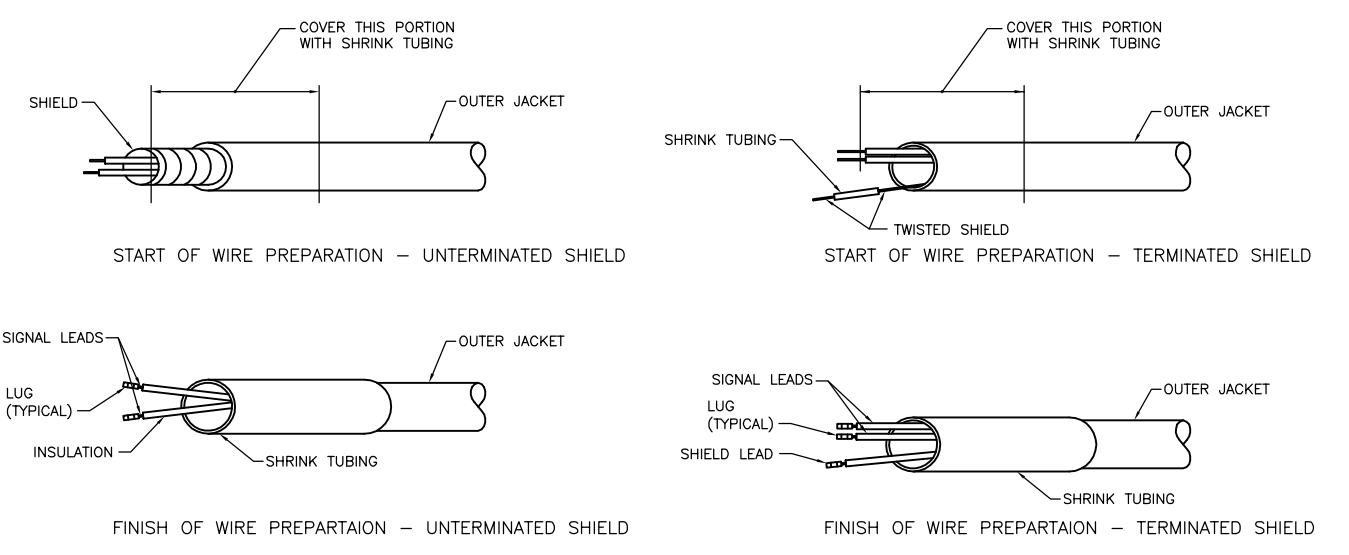


1 DIRECT ACTING FLOAT SWITCH
 SCALE: N.T.S.

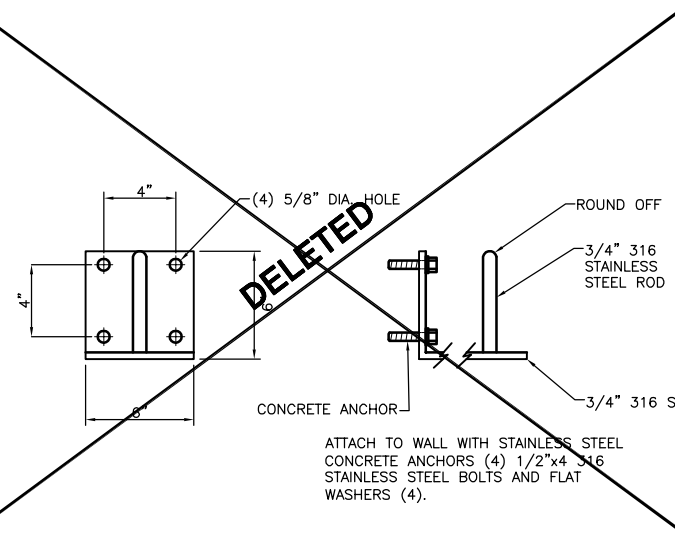


3 PIPE CLAMP DETAIL
 SCALE: N.T.S.

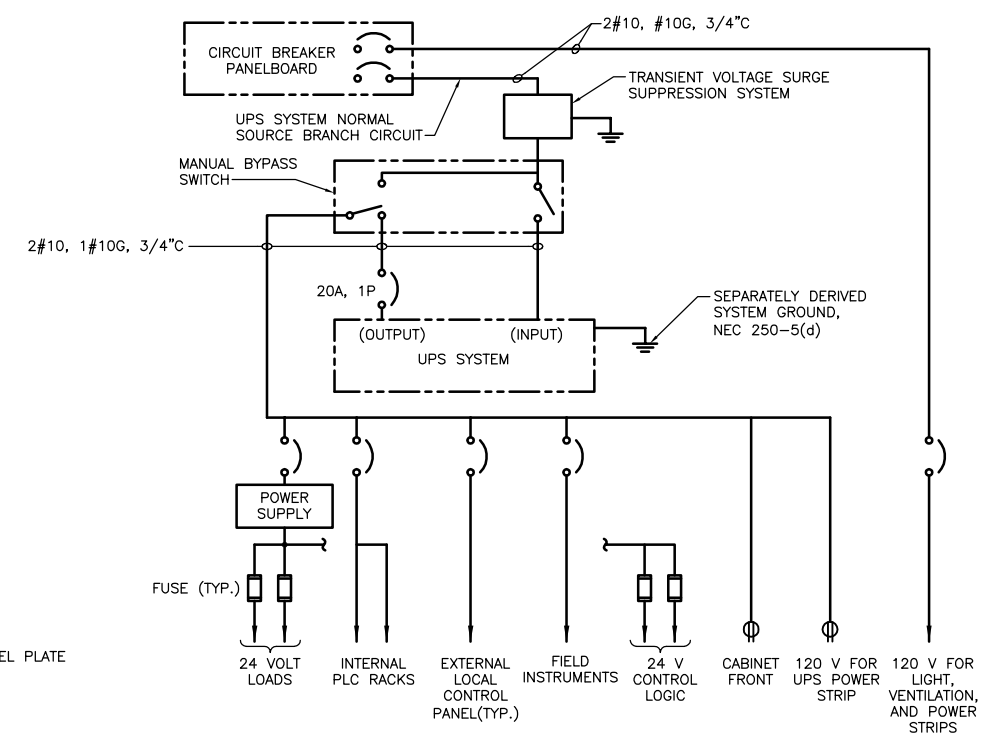


NOTE: GROUND SHIELD IN ONE PLACE ONLY

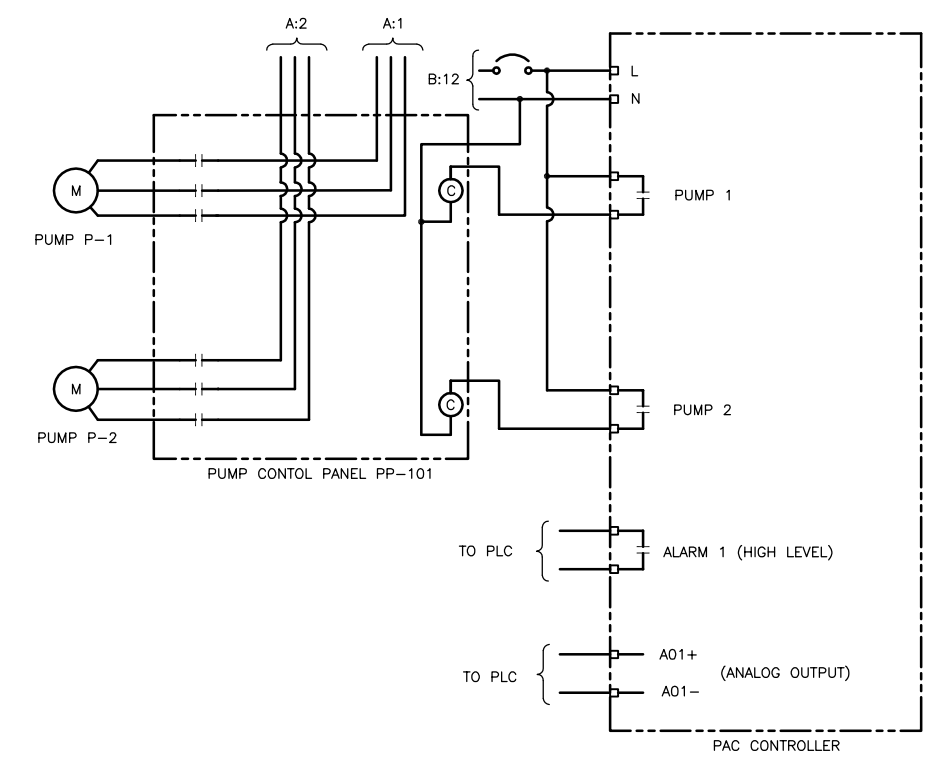
4 SHIELD TERMINATION DETAIL
 SCALE: N.T.S.



2 WALL PLATE DETAIL
 SCALE: N.T.S.



5 UPS SYSTEM WIRING DETAIL
 SCALE: N.T.S.



6 PAC2 CONTROLLER WIRING DIAGRAM
 SCALE: N.T.S.

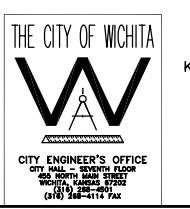
| NO. | BY | DATE | DESCRIPTION |
|-----|-----|----------|--|
| 0 | DLM | 10/17/05 | ISSUE FOR CONSTRUCTION |
| | MJV | 4/26/07 | CONFORMING TO CONSTRUCTION RECORDS CHANGED FLOAT SWITCH, DELETED WALL PLATE, & PIPE CLAMP. |



CITY OF WICHITA, KANSAS
15th STREET PUMP STATION
AND FORCE MAIN

ELECTRICAL DETAILS II

CONFORMING TO
CONSTRUCTION RECORDS
4/20/07



| | | | |
|--|------------|------------|----------|
| DESIGNED BY | BH | CHECKED BY | SLA |
| DRAWN BY | MJV | BH | DATE |
| PROJECT | 0301030310 | CONTRACT | - |
| DRAWING | E10 | REVISION | 0 |
| FILE: S:\ENVR\03310\30310\Elec\03310-E5.dwg 09/12/2005 12:06:15 PM CST | | | |