

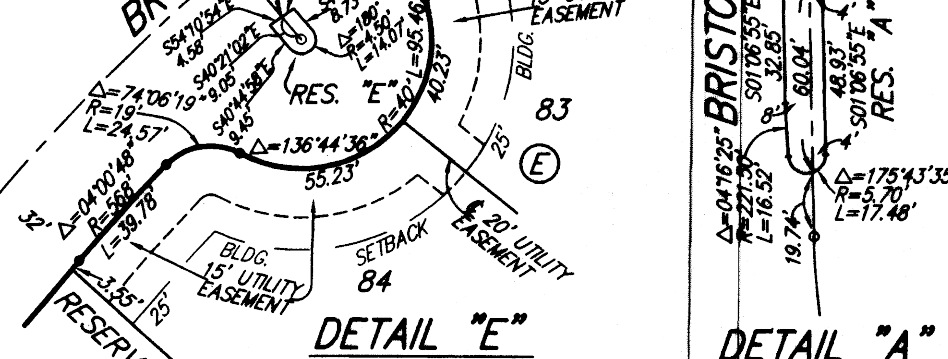
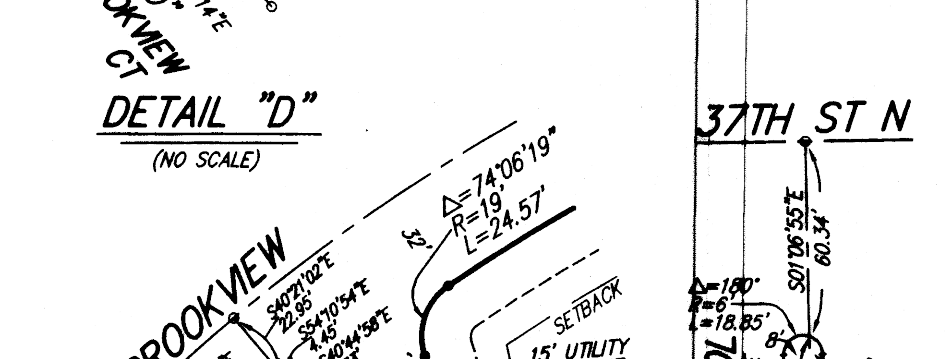
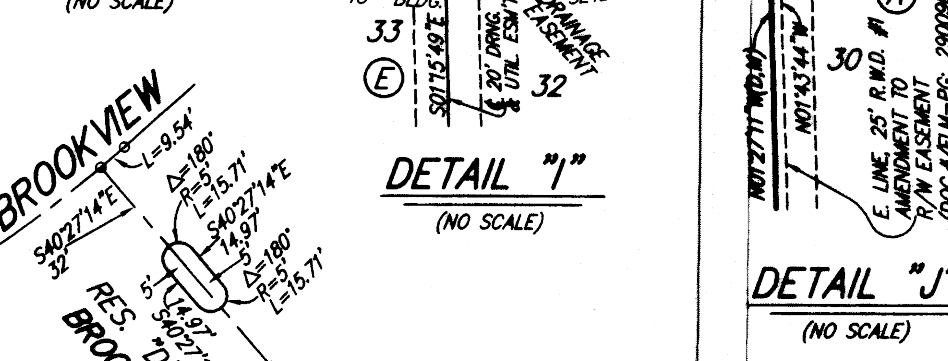
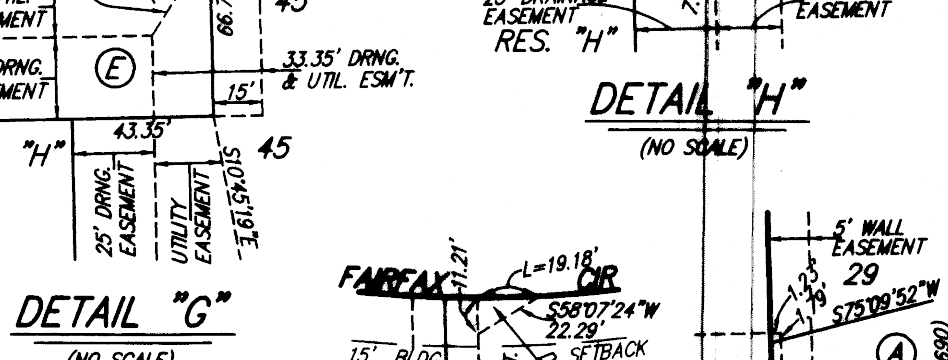
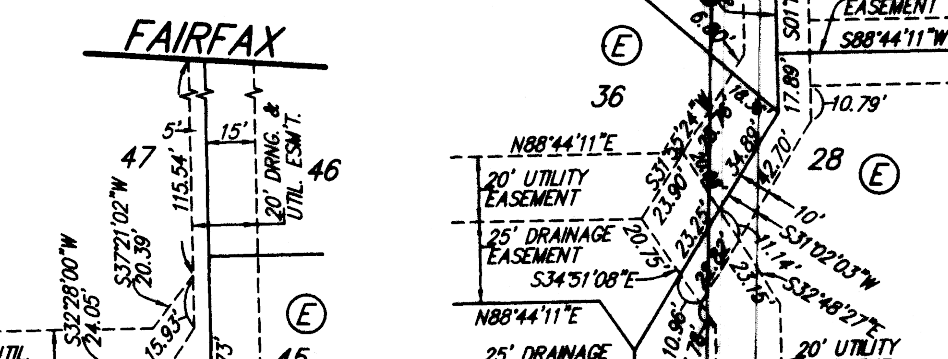
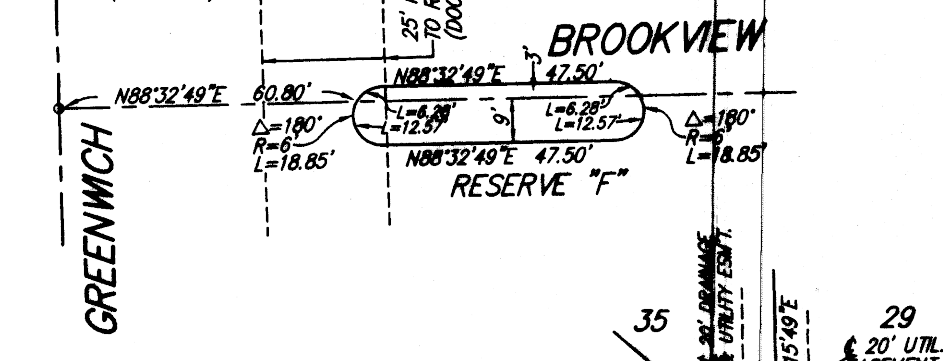
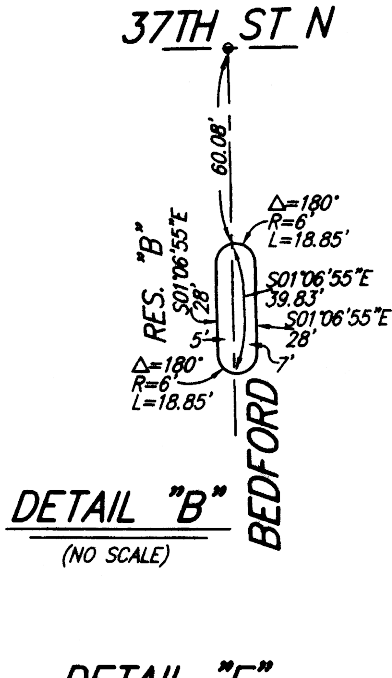
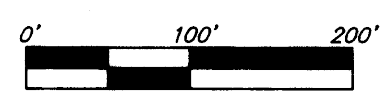
# BROOKFIELD ADDITION WICHITA, SEDGWICK COUNTY, KANSAS

- #4 REBAR W/ "BAUGHMAN" CAP (SET)
  - 1" IRON PIPE (FOUND)
  - 2" ALUMINUM "SEDGWICK COUNTY" CAP (FOUND)
  - △ STONE (FOUND)
  - #6 REBAR (FOUND)
- (M) = MEASURED  
 (D) = DESCRIBED  
 (P) = PLATTED

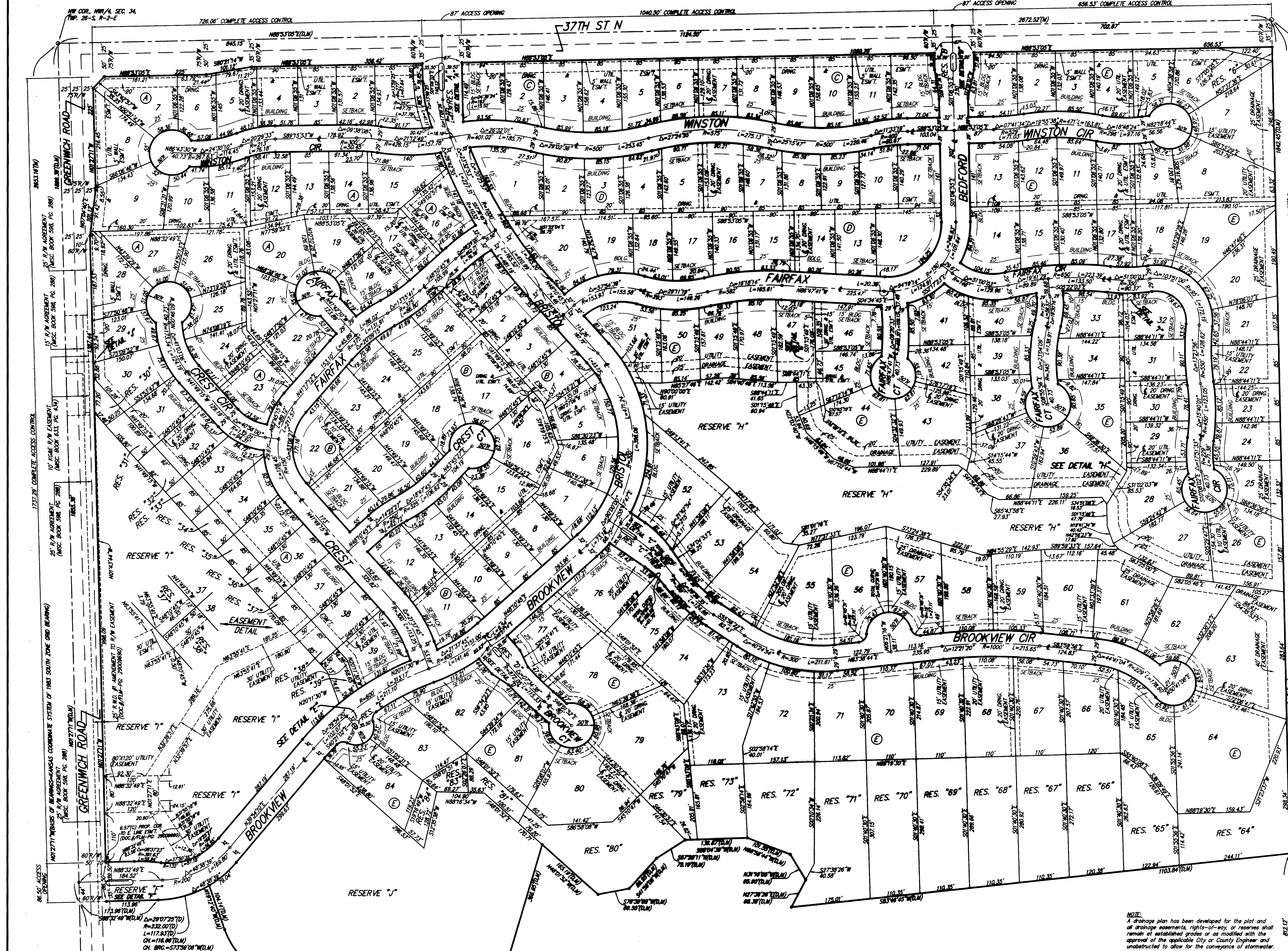
BENCHMARK:  
 CHISELED SQUARE ON E. SIDE OF SCHOOL SIGNAL POLE BASE, W. SIDE OF GREENWICH ROAD, 302' S. & 218' W. OF THE SW COR. NW 1/4, SEC. 34, TWP. 26-S, R-2-E. ELEV. = 1373.00 NAVD83.

CHISELED SQUARE ON E. SIDE OF SCHOOL SIGNAL POLE BASE, W. SIDE OF GREENWICH ROAD, 302' S. & 218' W. OF THE SW COR. NW 1/4, SEC. 34, TWP. 26-S, R-2-E. ELEV. = 1373.00 NAVD83.

TOP OF 1" IRON PIPE AT NW COR. NW 1/4, SEC. 34, TWP. 26-S, R-2-E. ELEV. = 1380.04 NAVD83.



LOT	BLOCK	ELEVATION
15-19	A	1376.0
20-22	A	1375.5
23-25	A	1375.0
5-7	F	1377.0
26-28	F	1372.8
36-37	F	1372.8
43-45	F	1372.8
47-51	F	1372.8
52-61	F	1372.8
62	F	1372.5
63-66	F	1370.8
67-71	F	1372.0
72-73	F	1372.7
79-80	F	1373.0
81-84	F	1373.5



NOTE:  
 A drainage plan has been developed for the plot and all drainage easements, rights-of-way, or reserves shall remain at established grades or as modified with the approval of the applicable City or County Engineer and unobstructed to allow for the conveyance of stormwater.

**Baughman Company P.A.**  
 315 E. 15th St., Wichita, KS 67211 | P: 316.262.2149  
 Baughman ENGINEERING SURVEYING PLANNING LANDSCAPE ARCHITECTURE  
 E:\Projects\Brookfield Addition\160421001\Plan\Brookfield\_Addition\_R24.dwg