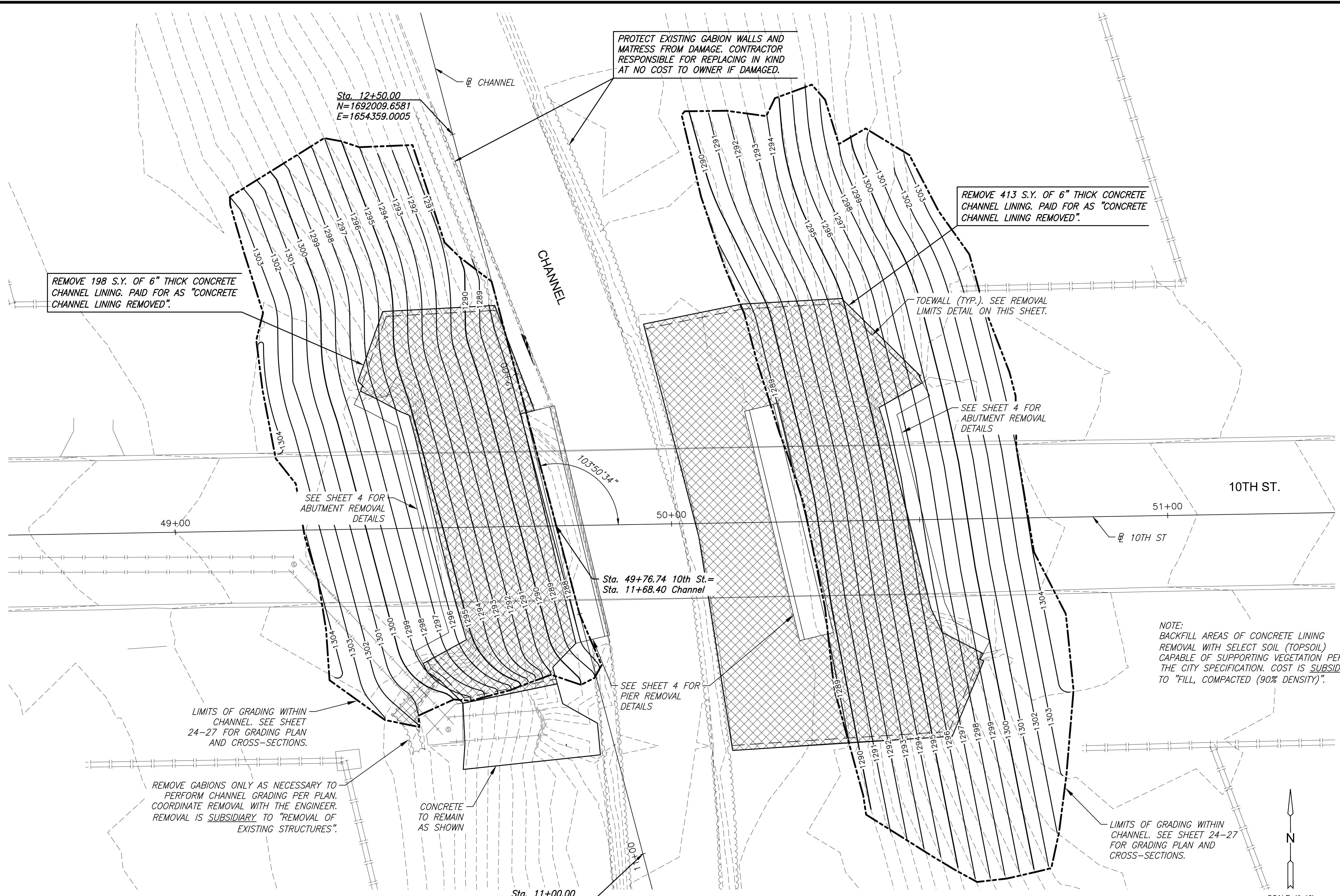


J:\PROJECTS\2019\10483\_COW\_10TH-15TH BRIDGES\_COW\_10TH-15TH BRIDGES\_190483\_CAD\SH1505 CIVIL\GRD19483-05-5020.DWG  
 PLOTTED: Wednesday, October 13, 2021 @ 03:30PM



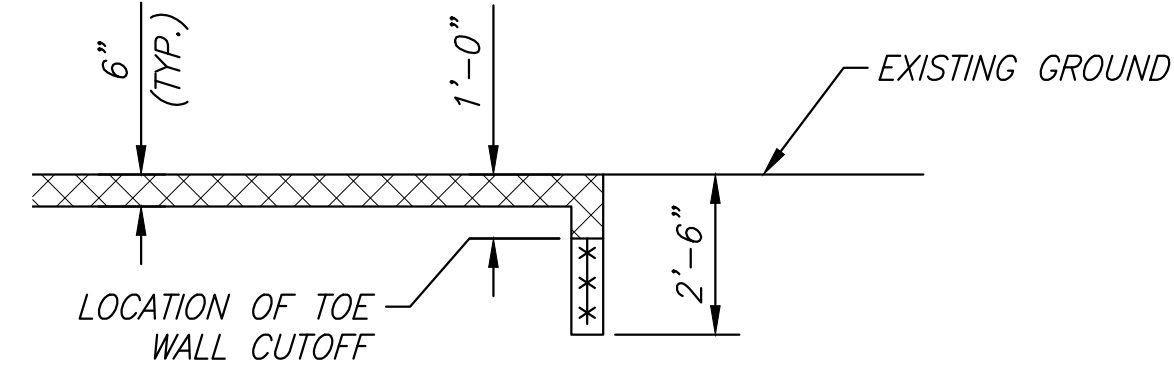
PROTECT EXISTING GABION WALLS AND MATRESS FROM DAMAGE. CONTRACTOR RESPONSIBLE FOR REPLACING IN KIND AT NO COST TO OWNER IF DAMAGED.

REMOVE 198 S.Y. OF 6" THICK CONCRETE CHANNEL LINING. PAID FOR AS "CONCRETE CHANNEL LINING REMOVED".

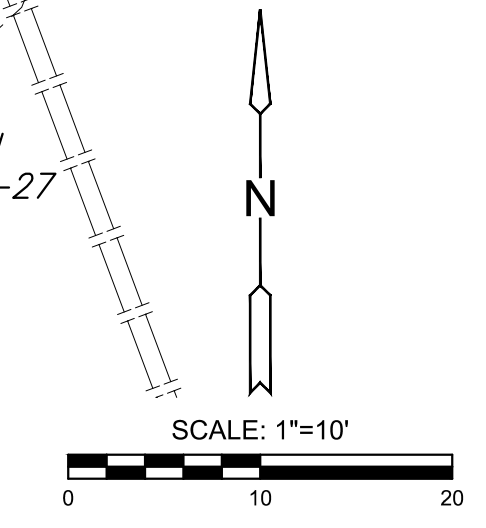
REMOVE 413 S.Y. OF 6" THICK CONCRETE CHANNEL LINING. PAID FOR AS "CONCRETE CHANNEL LINING REMOVED".

NOTE: BACKFILL AREAS OF CONCRETE LINING REMOVAL WITH SELECT SOIL (TOPSOIL) CAPABLE OF SUPPORTING VEGETATION PER THE CITY SPECIFICATION. COST IS SUBSIDIARY TO "FILL, COMPACTED (90% DENSITY)".

CHANNEL RESTORATION PLAN



TOE WALL CUTOFF DETAIL



LEGEND

- CONCRETE CHANNEL LINING REMOVAL
- LIMITS OF EXCAVATION



PLANS FOR  
**10TH STREET - 15TH STREET BRIDGES**  
 WICHITA, KS

©2021  
 MKEC Engineering  
 All Rights Reserved  
 www.mkec.com  
 These drawings and their contents, including, but not limited to, all concepts, designs, & ideas are the exclusive property of MKEC Engineering (MKEC), and may not be used or reproduced in any way without the express consent of MKEC.

CHANNEL RESTORATION PLAN - 10TH ST

PROJECT NO.	1901010483
DATE	JUNE 2021
SCALE	1"=10'
DESIGNED	JRA
DRAWN	RAM
CHECKED	JRA

NO.	REVISION	DATE

SHEET NO. 5 OF 27