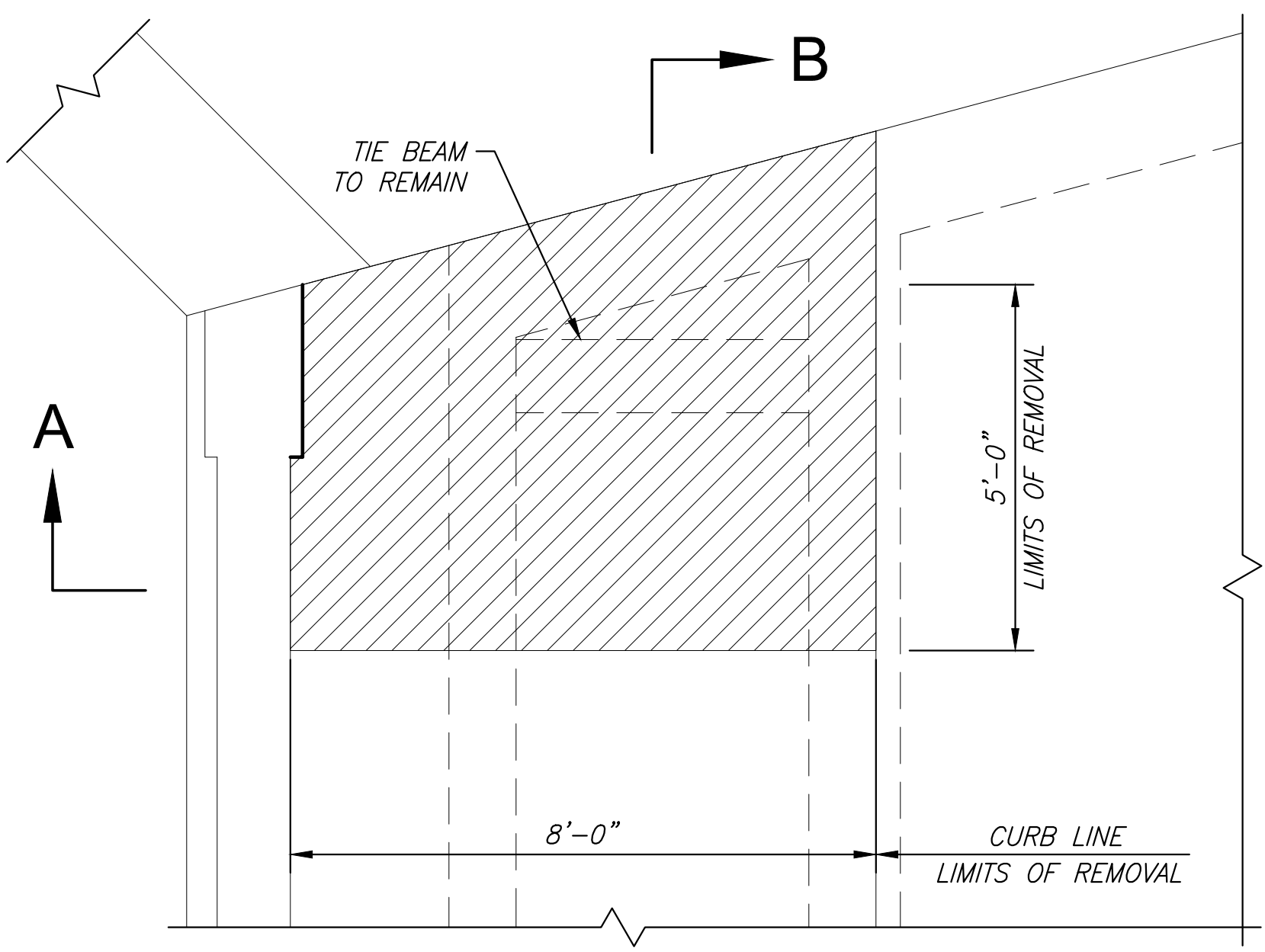
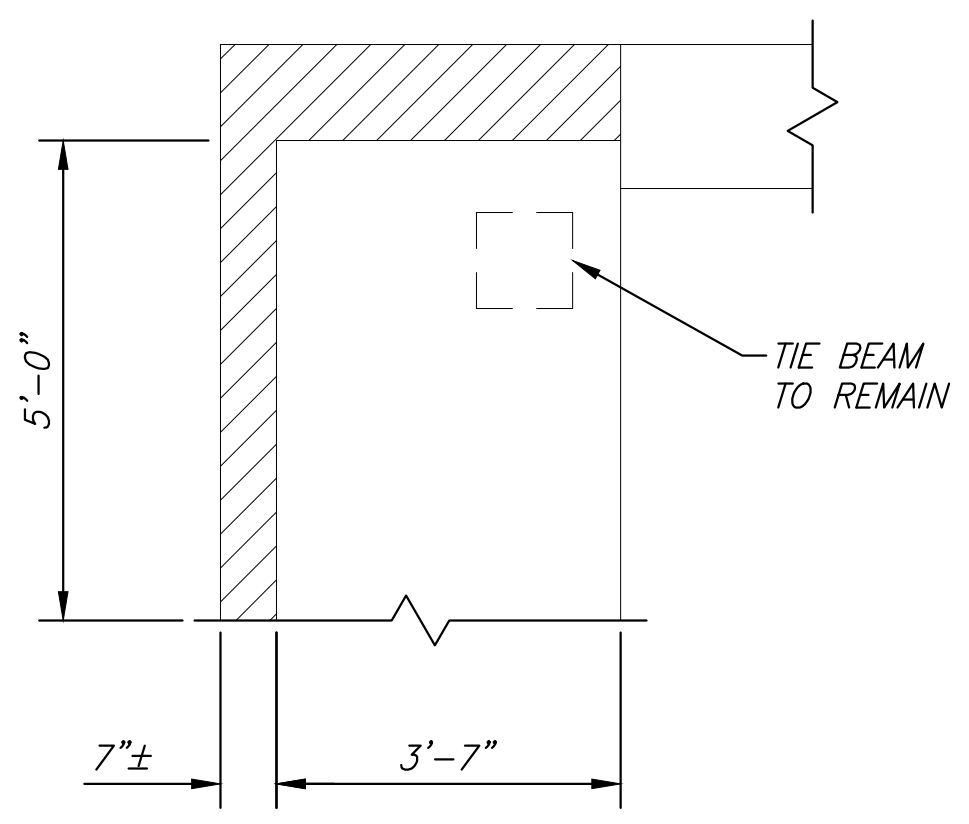


PLOTTED: Wednesday, October 13, 2021 @ 03:50PM

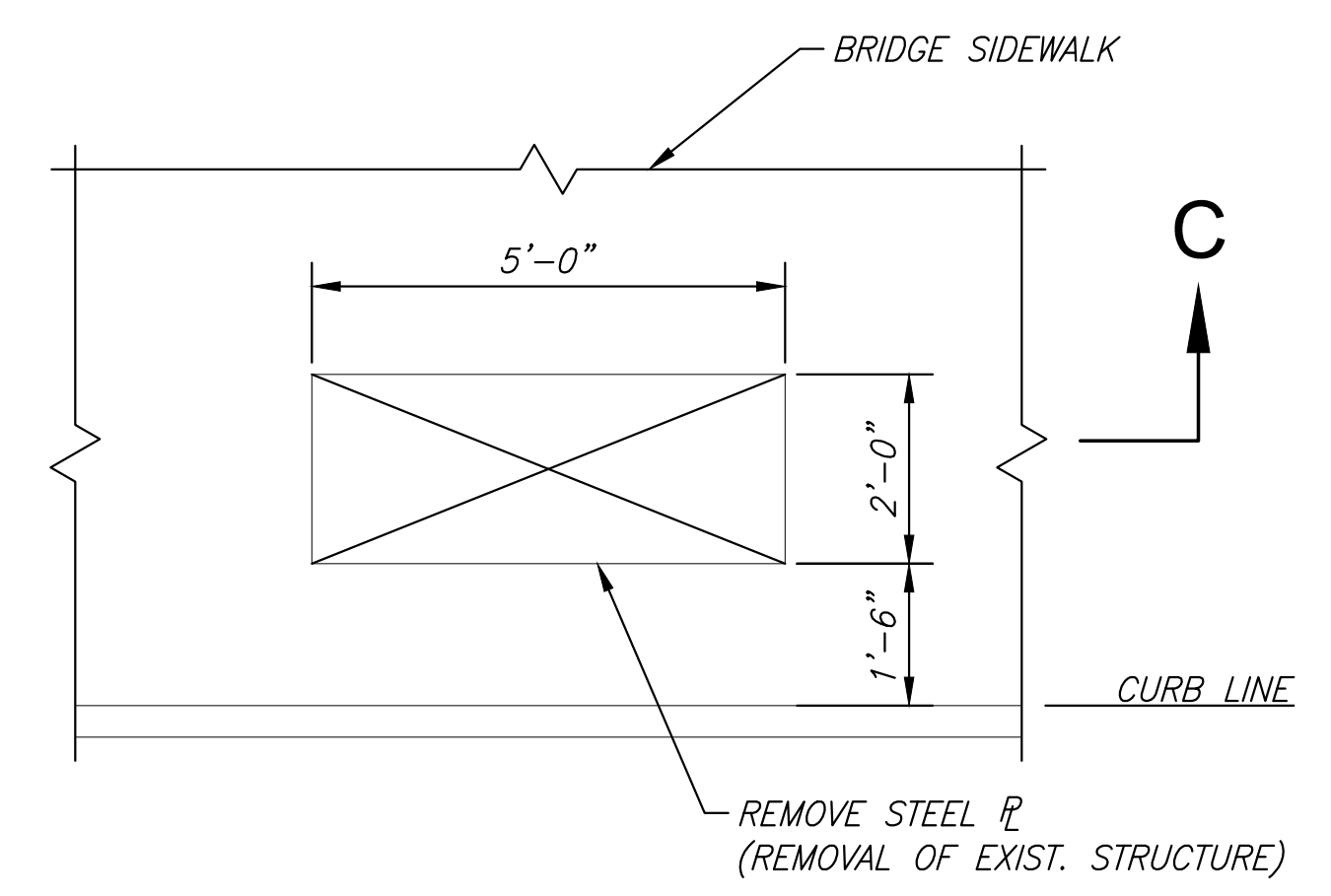
J:\PROJECTS\2019\1901010483_COW_10TH-15TH BRIDGES_190483_CAD\SHOTS\05 CIVIL\PAV\19483-05-50.DWG



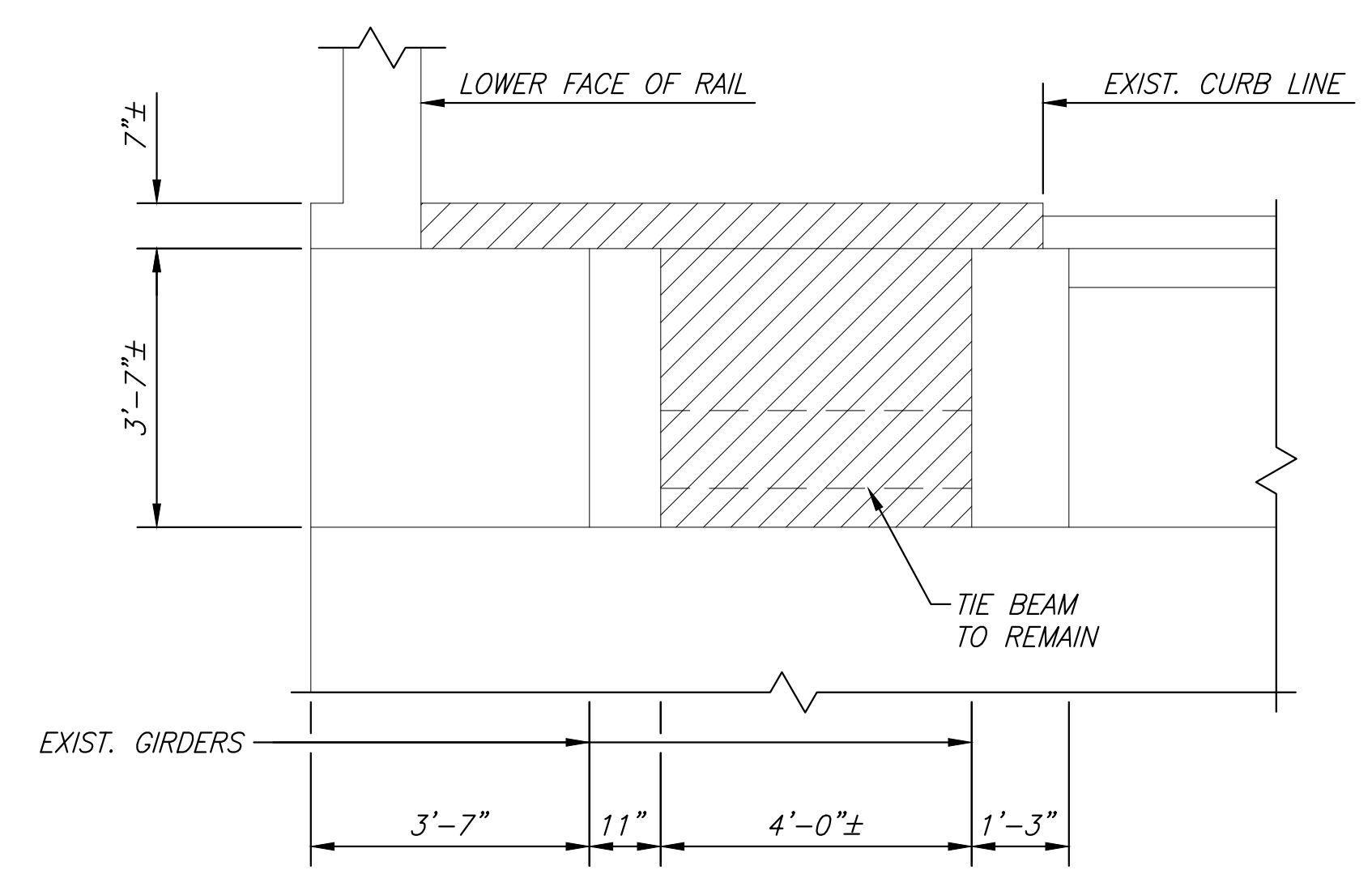
DECK PLAN



SECTION B

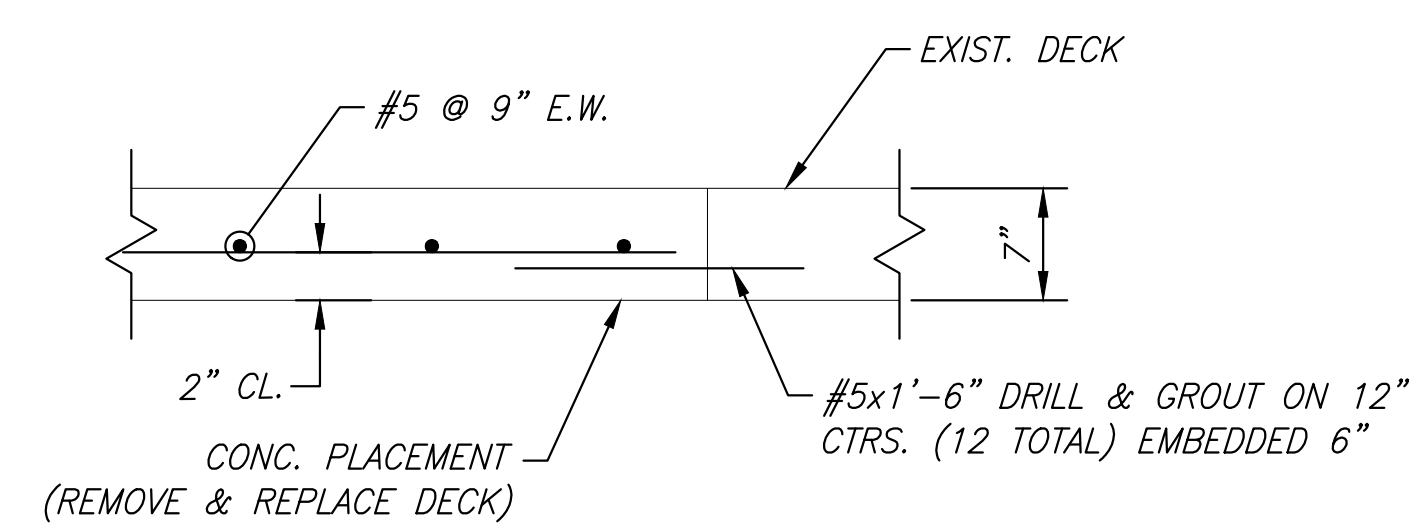


FULL DEPTH PATCH DETAIL

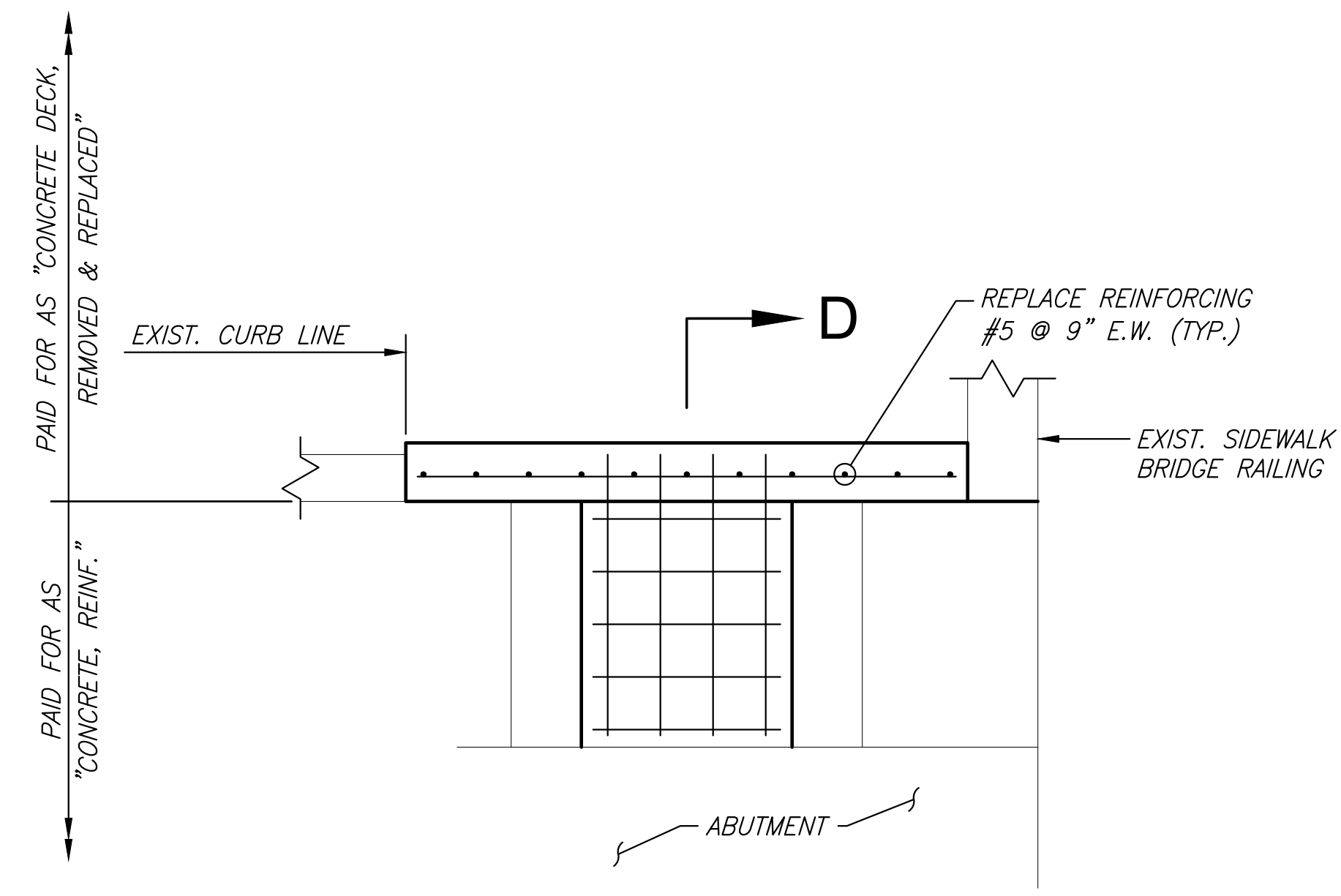


SECTION A

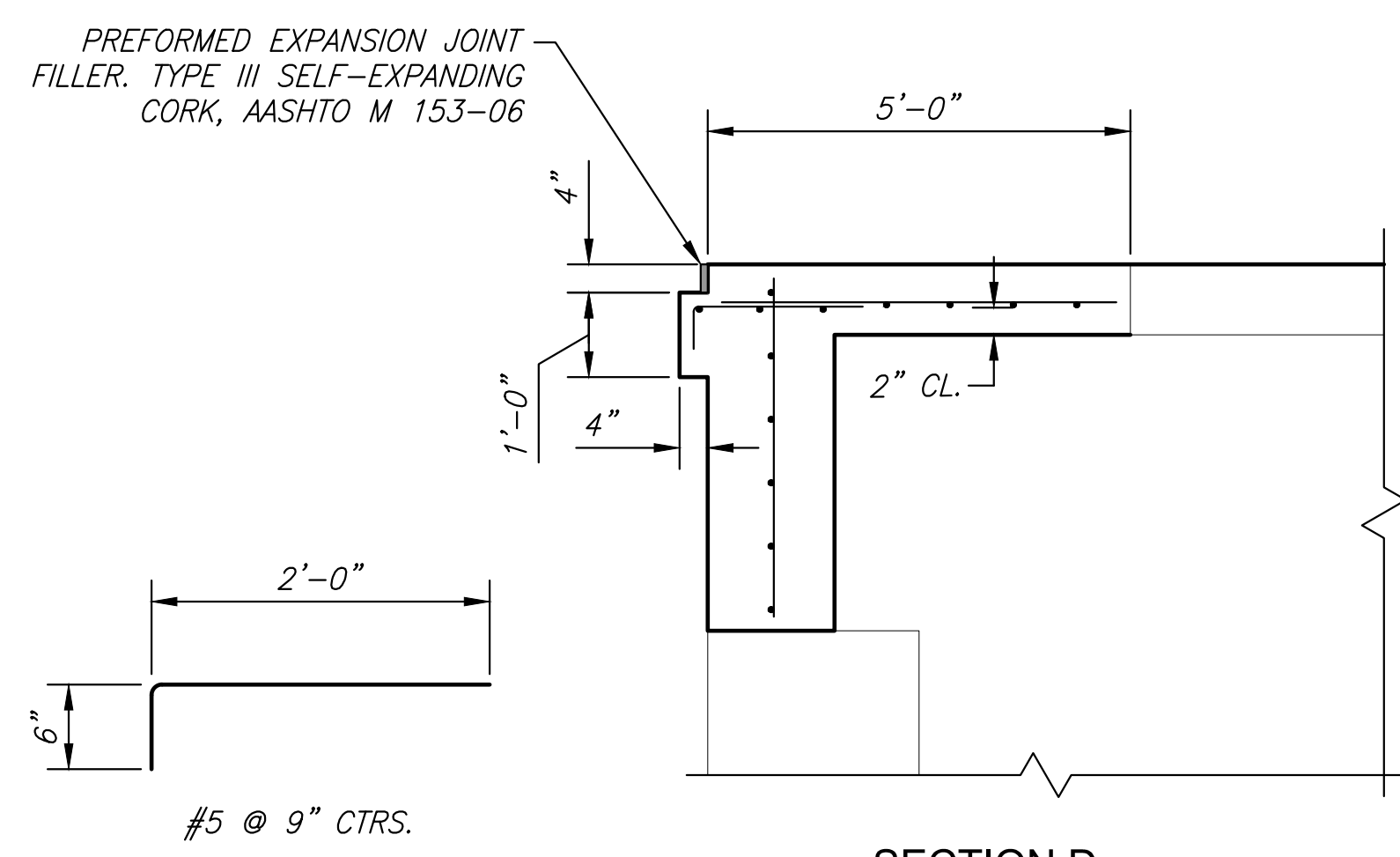
EAST END REMOVAL
(WEST END REMOVAL SIMILAR)



SECTION C



TYPICAL SECTION @ EXTERIOR OF BRIDGE
(CASTING OF DECK & BACKWALL)



SECTION D

LEGEND

CONCRETE REMOVAL

©2021 MKEC Engineering All Rights Reserved www.mkec.com
These drawings and their contents, including, but not limited to, all concepts, designs, & ideas are the exclusive property of MKEC Engineering (MKEC), and may not be used or reproduced in any way without the express consent of MKEC.

15TH ST STRUCTURAL DETAILS

PROJECT NO.	1901010483	
DATE	JUNE 2021	
SCALE	N.T.S.	
DESIGNED	DRAWN	CHECKED
KJS	RAM	KJS

NO.	REVISION	DATE

SHEET NO.
7 OF 27