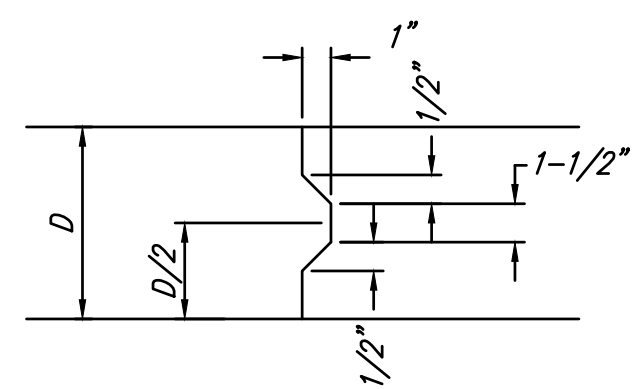
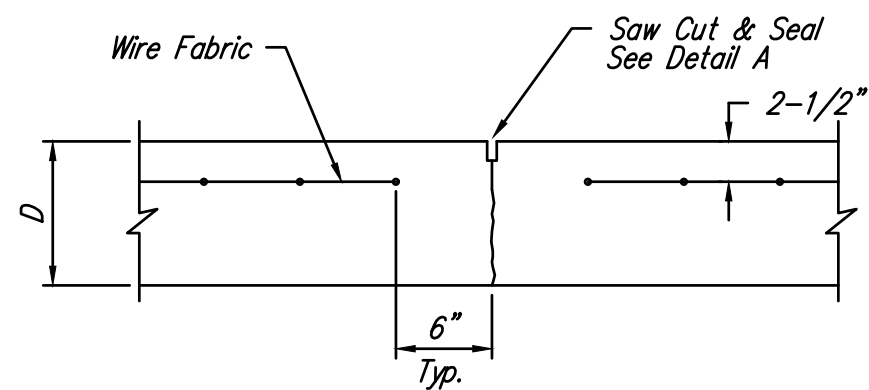


EXPANSION JOINT

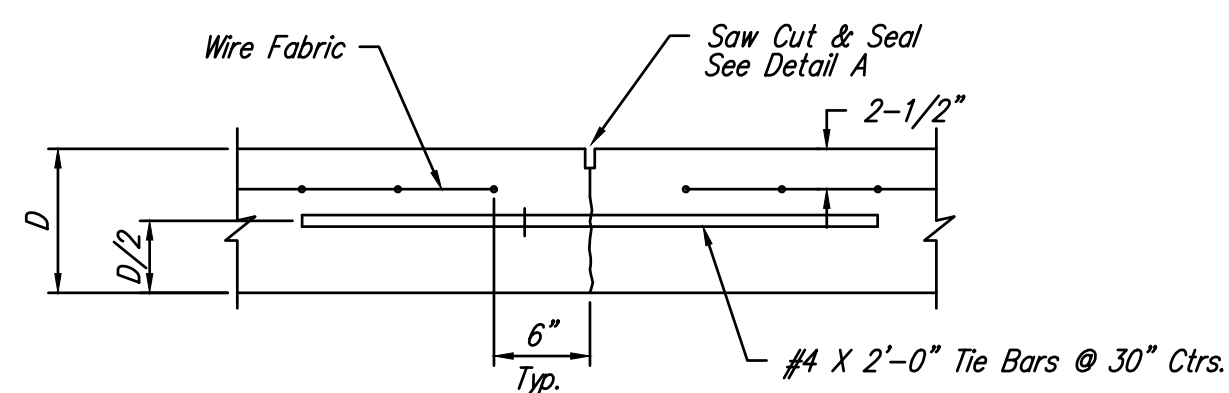
NOTE: Extra Thickness to be Subsidiary to Price of Square Yards Pavement



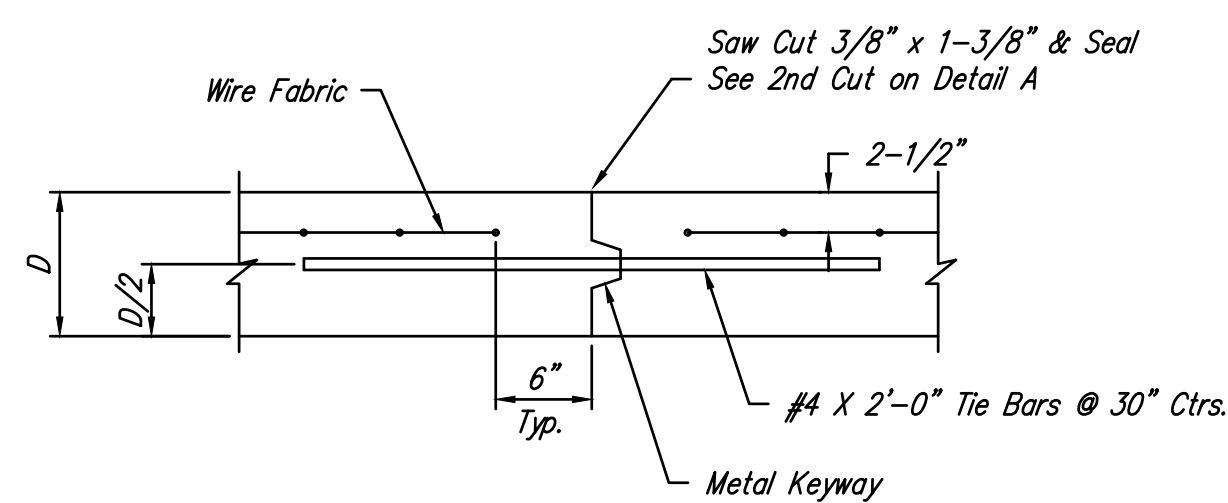
KEYWAY DETAIL



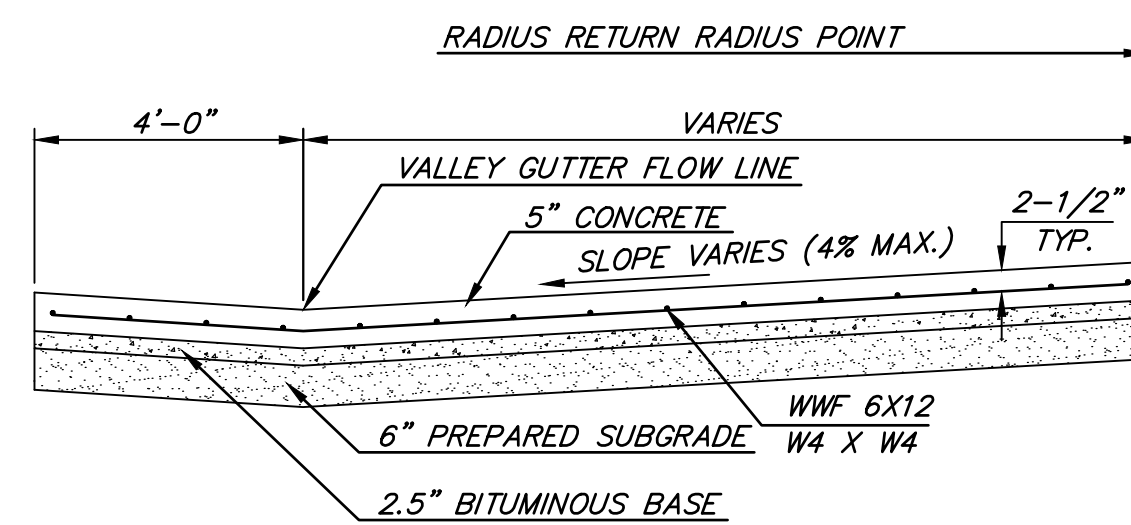
CONTRACTION JOINT DETAIL (C.J.)



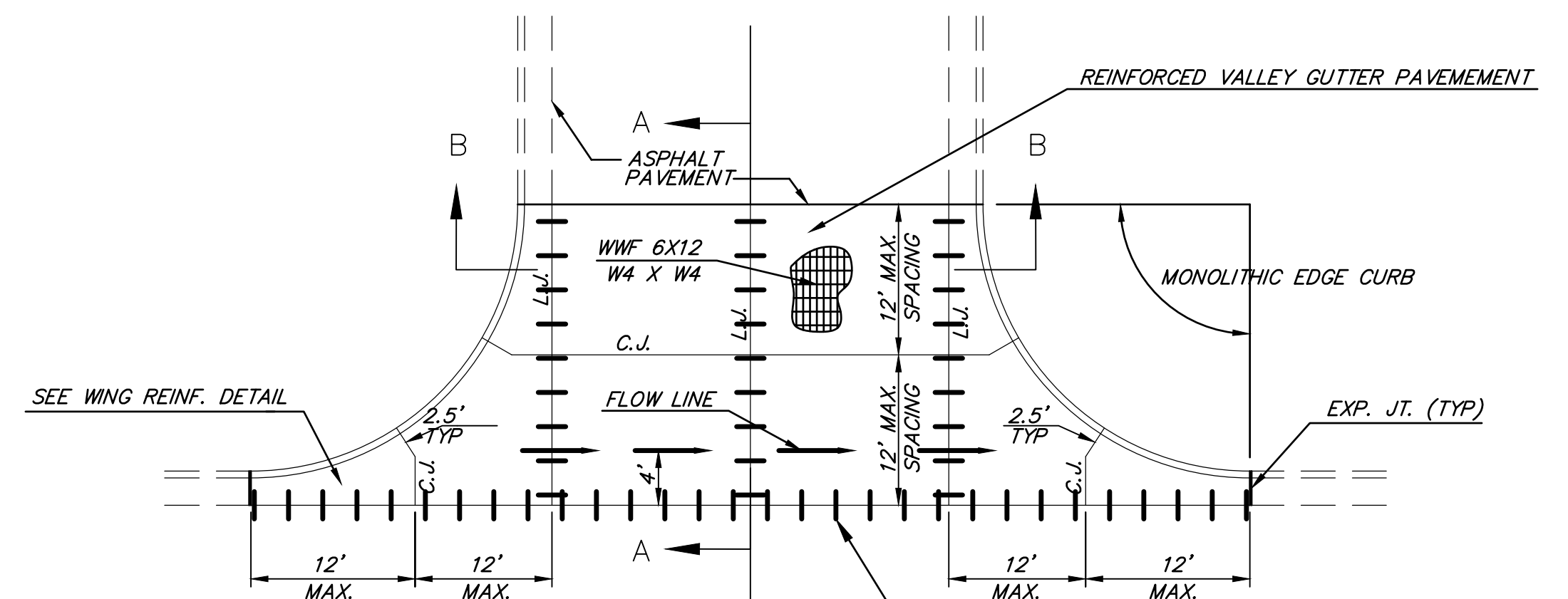
LONGITUDINAL JOINT DETAIL (L.J.)



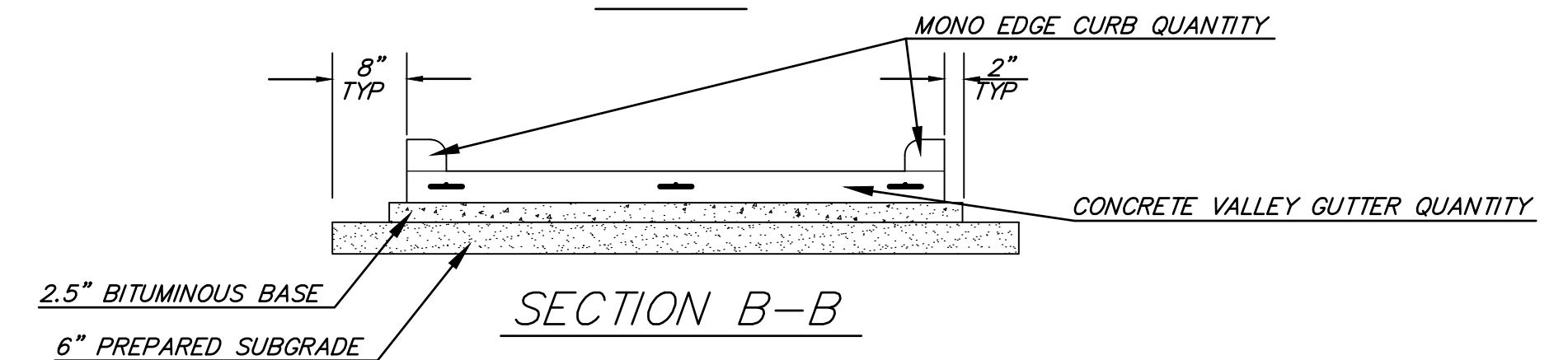
OPTIONAL LONGITUDINAL JOINT DETAIL (L.J.)



SECTION A-A

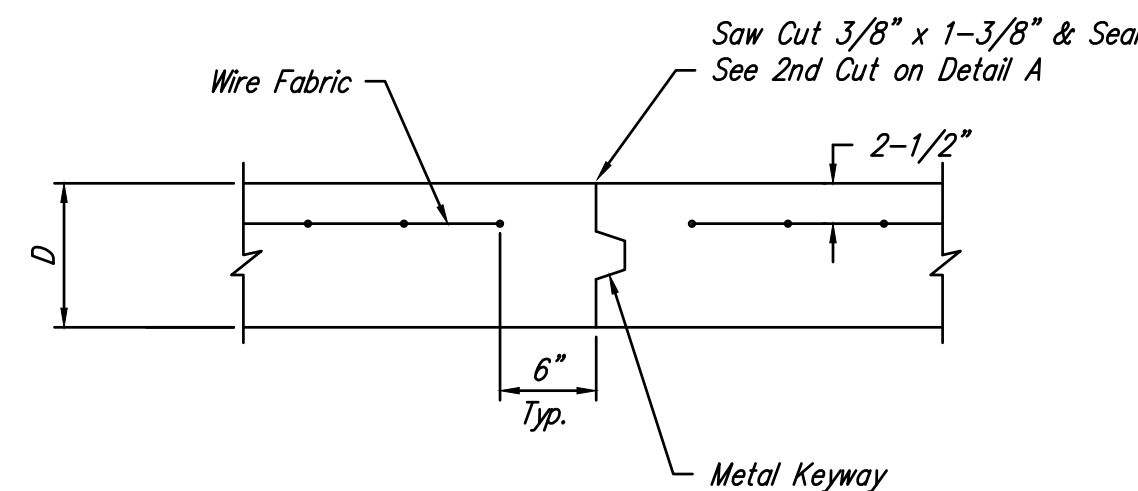


PLAN

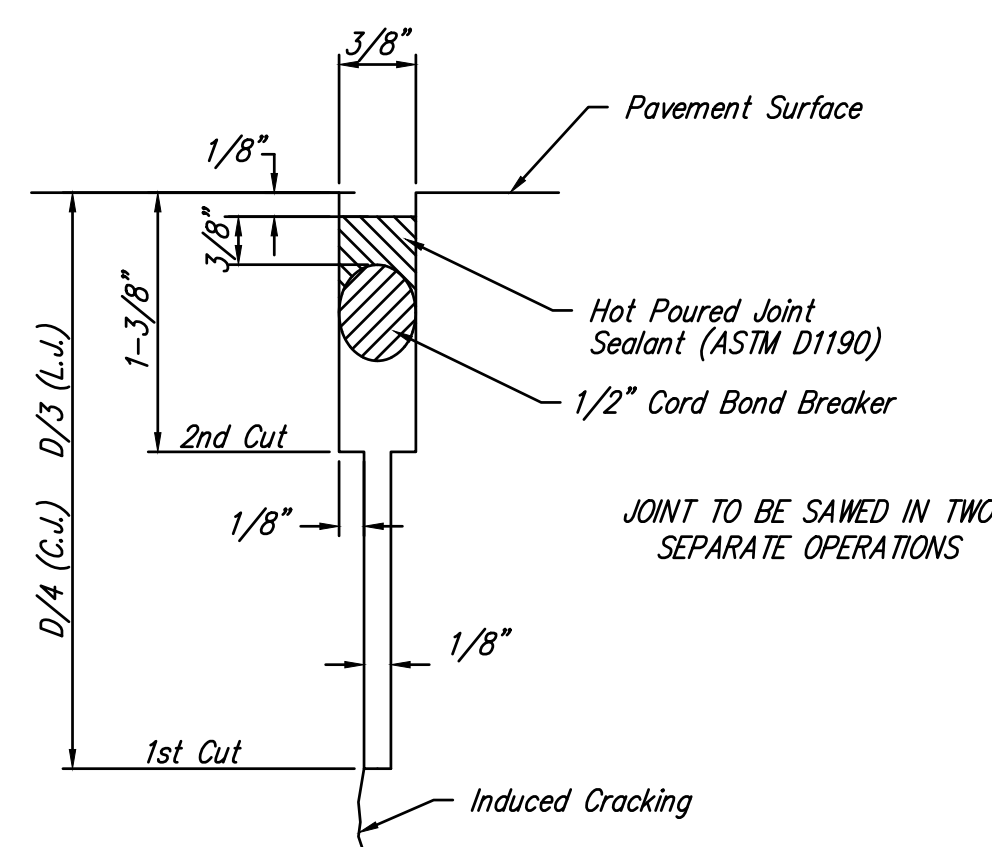


SECTION B-B

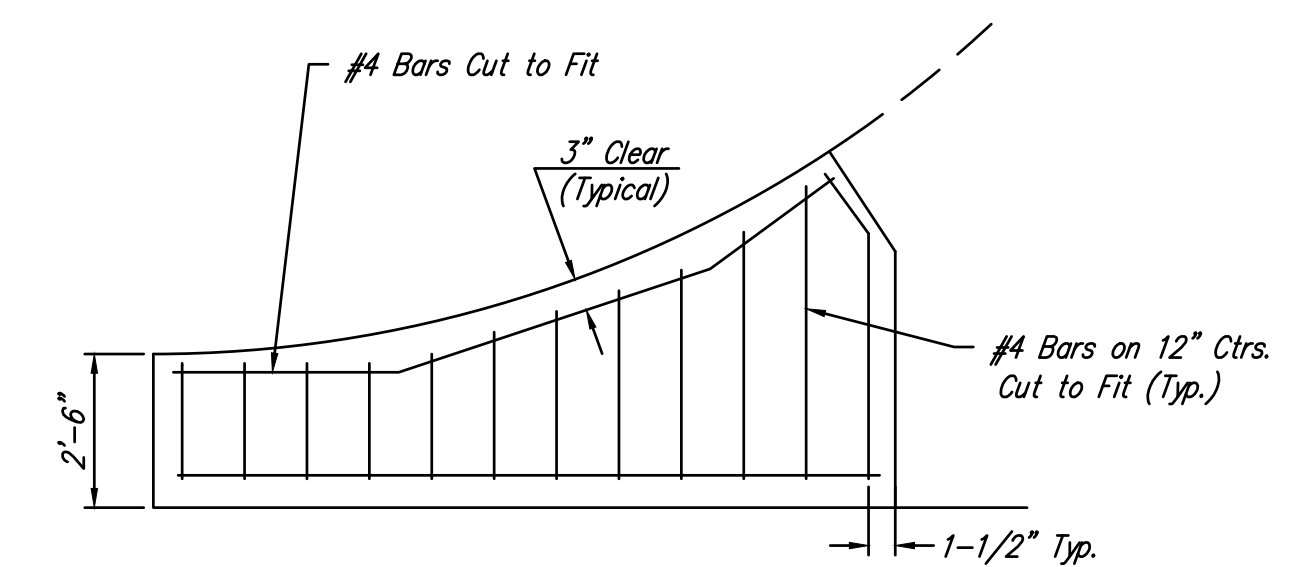
REINFORCED VALLEY GUTTER DETAIL



OPTIONAL CONTRACTION JOINT



SAW JOINT DETAIL (DETAIL A)



WING REINFORCING DETAIL