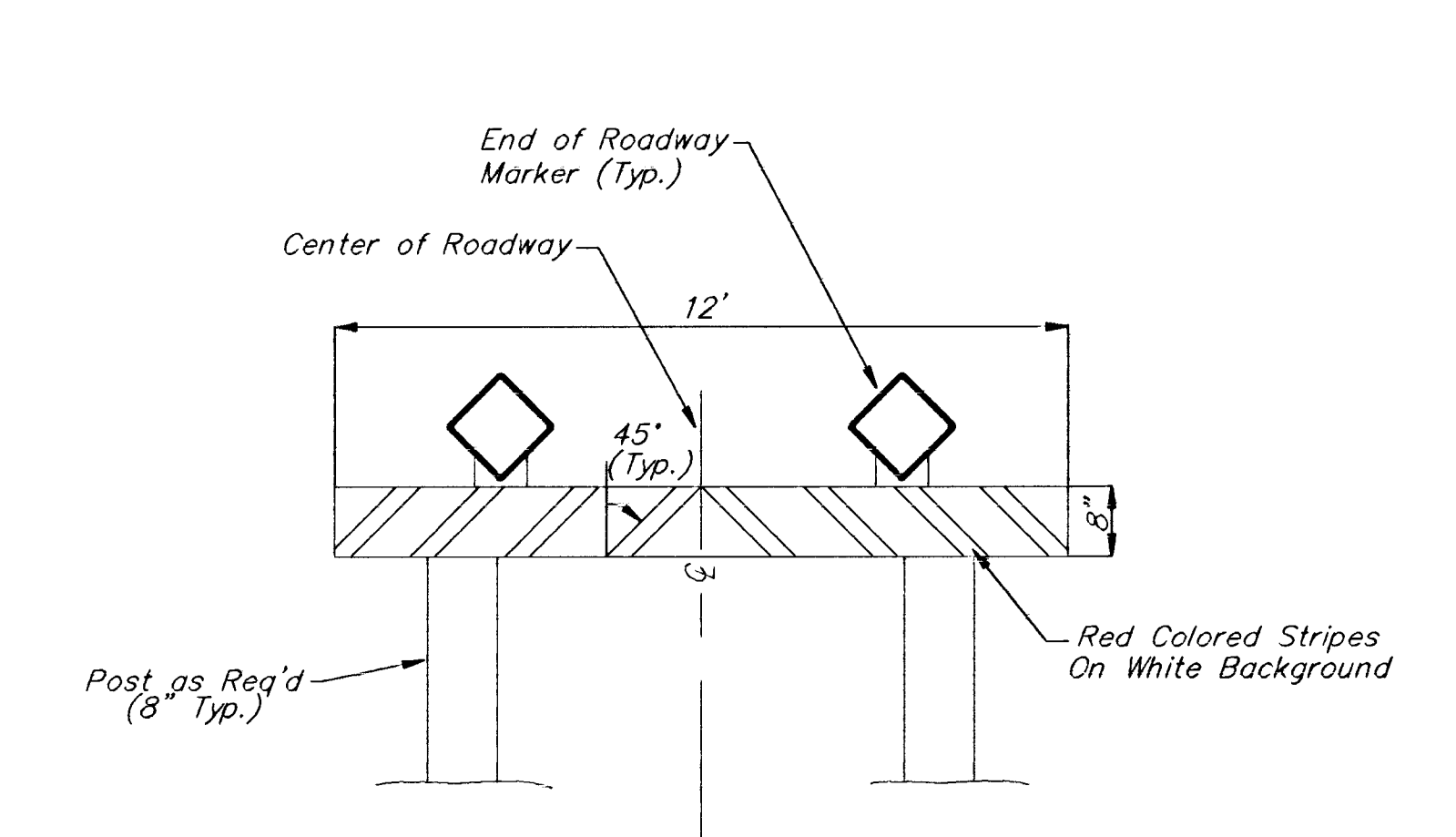
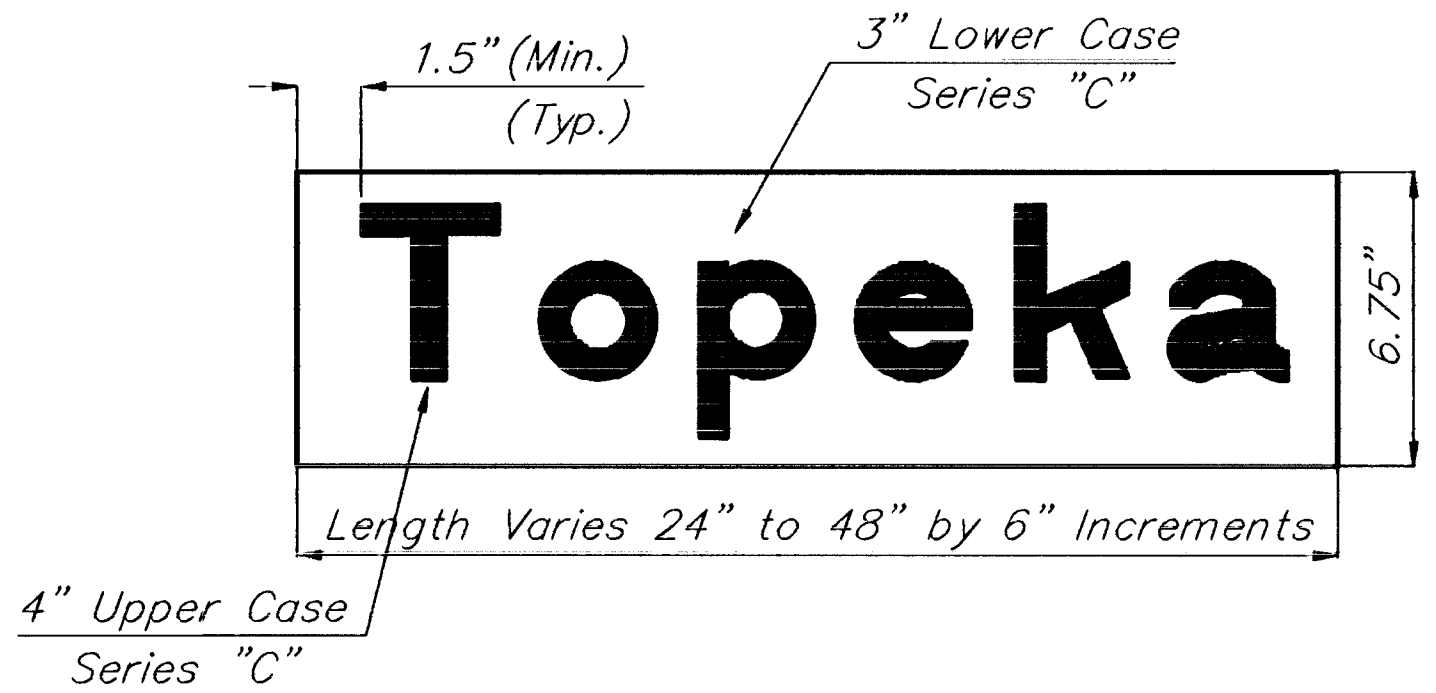


Typical Street Name Sign Mounting Installation
Curb and Gutter Section

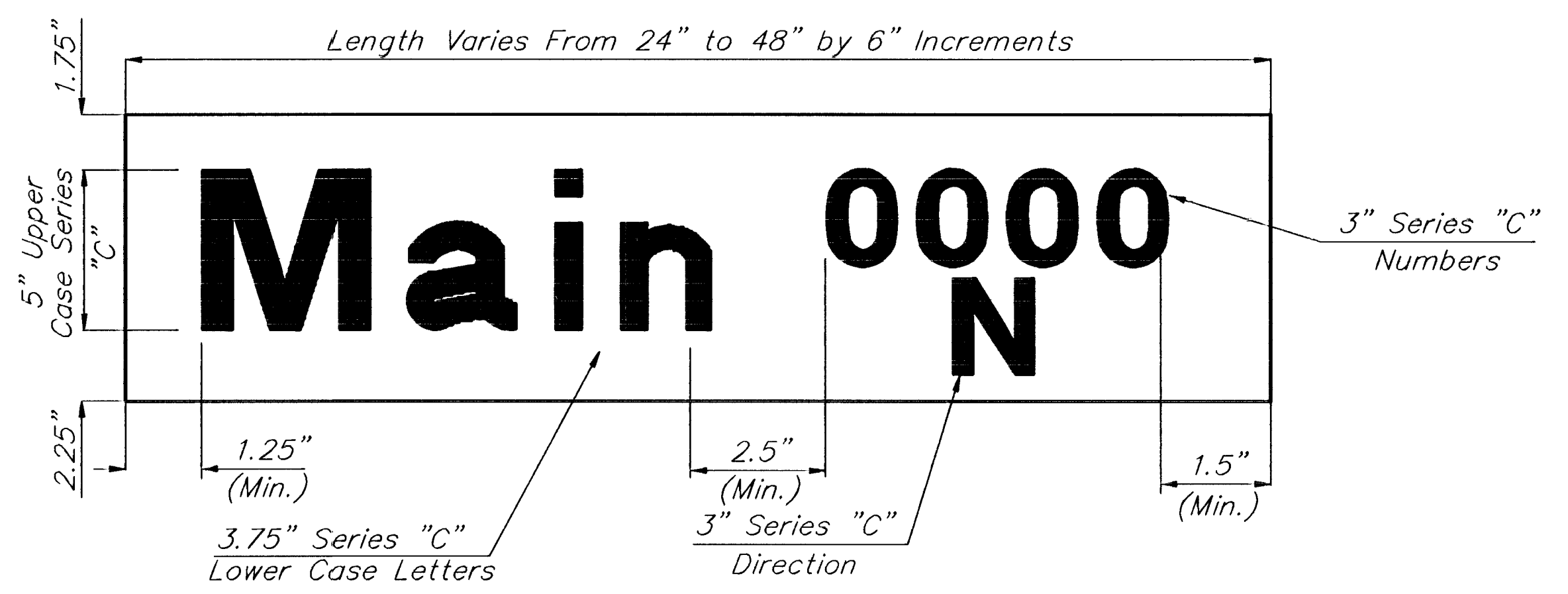
Typical Traffic Control Sign Mounting Installation
Curb and Gutter Section



Type 1 Barricade Detail w/E.O.R. Marker



Detail "A"
6.75" Standard

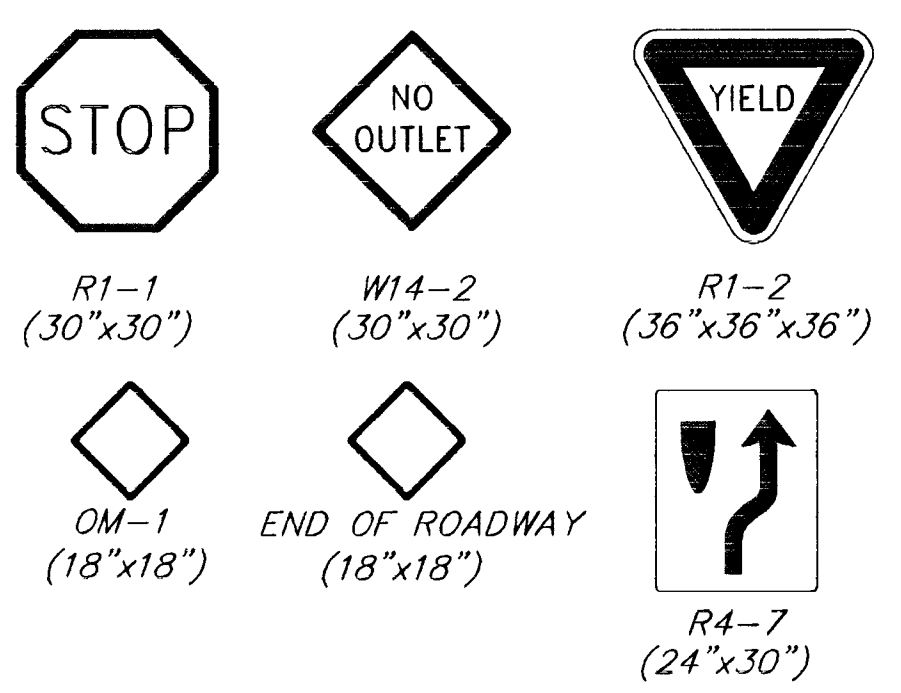


Detail "B"
9" Metro

SIGN ASSEMBLY TABLE				
STATION	OFFSET	SIGN	QUANTITY *	STREET NAME
1+09.61	23' Rt.	6.75" Std.	1	Dora
1+09.61	23' Rt.	9" Std.	1	Dora Ct.
4+01.99	23' Rt.	6.75" Std.	1	Dora
4+01.99	23' Rt.	6.75" Std.	1	Shefford
7+09.07	23' Rt.	6.75" Std.	1	Prescott
7+09.07	23' Rt.	9" Std.	1	Prescott Cir.
10+65.73	23' Rt.	6.75" Std.	1	Prescott
10+65.73	23' Rt.	6.75" Std.	1	Esthner
TOTAL			8	

* For Information Only

STREET NAME	NO. BLADES REQ'D	
	6 3/4" STD	9" METRO
Dora	2	
Dora Ct.		1
Shefford	1	
Prescott	2	
Prescott Cir.		1
Esthner	1	



GENERAL NOTES - SIGNING
NOTE: References below to "standard specifications" denote "standard specifications for state road and bridge construction, edition 1990" by the Kansas Department of Transportation.

- Post Anchors. Posts shall be anchored with a yielding base post support as detailed.
- Posts for traffic control signs. Posts shall conform to the requirements of subsection 1620 of the standard specifications except that all posts shall weigh 3 lbs./foot minimum.
- Posts for street name signs (SNS). Posts shall be 9 feet long, constructed from 2 3/8" O.D. galvanized steel pipe weighing a minimum of 3.65 lbs./foot. Posts shall be positioned so that the bottom blade is 7 feet above grade.
- Sign blanks for traffic control signs. Sign blanks shall be fabricated from 0.080" aluminum alloy 6063-T6 conforming to the requirements of subsection 1626 of the standard specifications.
- Signs blades for street name signs. Extruded aluminum blades shall be aluminum alloy conforming to 6063-T6 or 5052-H38 (ASTM specifications B221, latest issue). Blades shall have an alodine or phosphate etched finish. Blades shall have square corners and no holes. Blades bearing the street names shall be firmly attached to the mounting brackets using allen-type set screws. The blades shall be oriented parallel to the street.
- Mounting brackets for SNS. Die-cast aluminum brackets shall be aluminum alloy 360 having a tensile strength of 44,000 PSI. The brackets shall be smoothly finished free of pits, burrs, and flaws. Each bracket shall be tapped and drilled for 5/16" zinc-plated allen-type set screws having self locking saw-tooth ends.
- Fasteners. All steel fasteners for traffic control signs shall be galvanized and shall conform to the requirements of subsection 1614 of the standard specifications.
- Reflective sheeting. Reflective sheeting shall be type II - High performance class HA in accordance with subsection 2201 of the standard specifications.
- Process ink. All process ink shall conform to the requirements of subsection 2202 of the standard specifications.
- Details. Regulatory and warning signs shall conform to the details in "Standard Highway Signs", FHWA 1979.
- Details - SNS. The reflective sheeting for the 6 3/4" standard size SNS is to be the highway green reverse screened background with silver-white #2 copy with 4" uppercase and 3" lower case primary copy and suffix copy. Both series "C". Where suffix letters are used on numbered streets such as RD, TH, etc., they shall be 1 1/2" lower case series "C" letters. Faces to trim to a 6 1/4" (See detail A).
The reflective sheeting for the 9" metro size SNS is to be the highway green reverse screened background with silver-white #2 copy with 5" upper case and 3 3/4" lower case primary copy and suffix copy, both series "C". Where suffix letters are used on numbered streets, such as RD, TH, etc., they shall be 3" lower case series "C". The cardinal direction centered directly below the block number shall be an upper case, 3" series "C" letter. Faces to trim to an 8 1/2" width (See detail B).
For cul-de-sac streets, a 9" metro size blade shall be used with the house numbers displayed beneath the street name. Lettering to be the same as for the 6 3/4" size blade, except that the house number information shall be 3" series "C".

Shop drawings of layout for SNS shall be submitted to the Traffic of Engineering Division of the City of Wichita for approval prior to fabrication. The finished signs as supplied shall be of good appearance, free from ragged edges, cracks, scales or blisters, and shall be clean cut. Signs shall be packed in such a manner as to prevent damage or defacement during shipment or storage.

City of Wichita Public Works
Signing Detail

BAUGHMAN COMPANY P. A.
ENGINEERING, SURVEYING, & PLANNING
316-282-7271 • 315 ELLIS • WICHITA, KANSAS 67211

PROJECT NUMBER
472-78-245-82728-000-001

DESIGN: C.O.W. DRAWN: Staff APPROVED: DATE: 7-96 SCALE: SHEET: **4** OF **21**