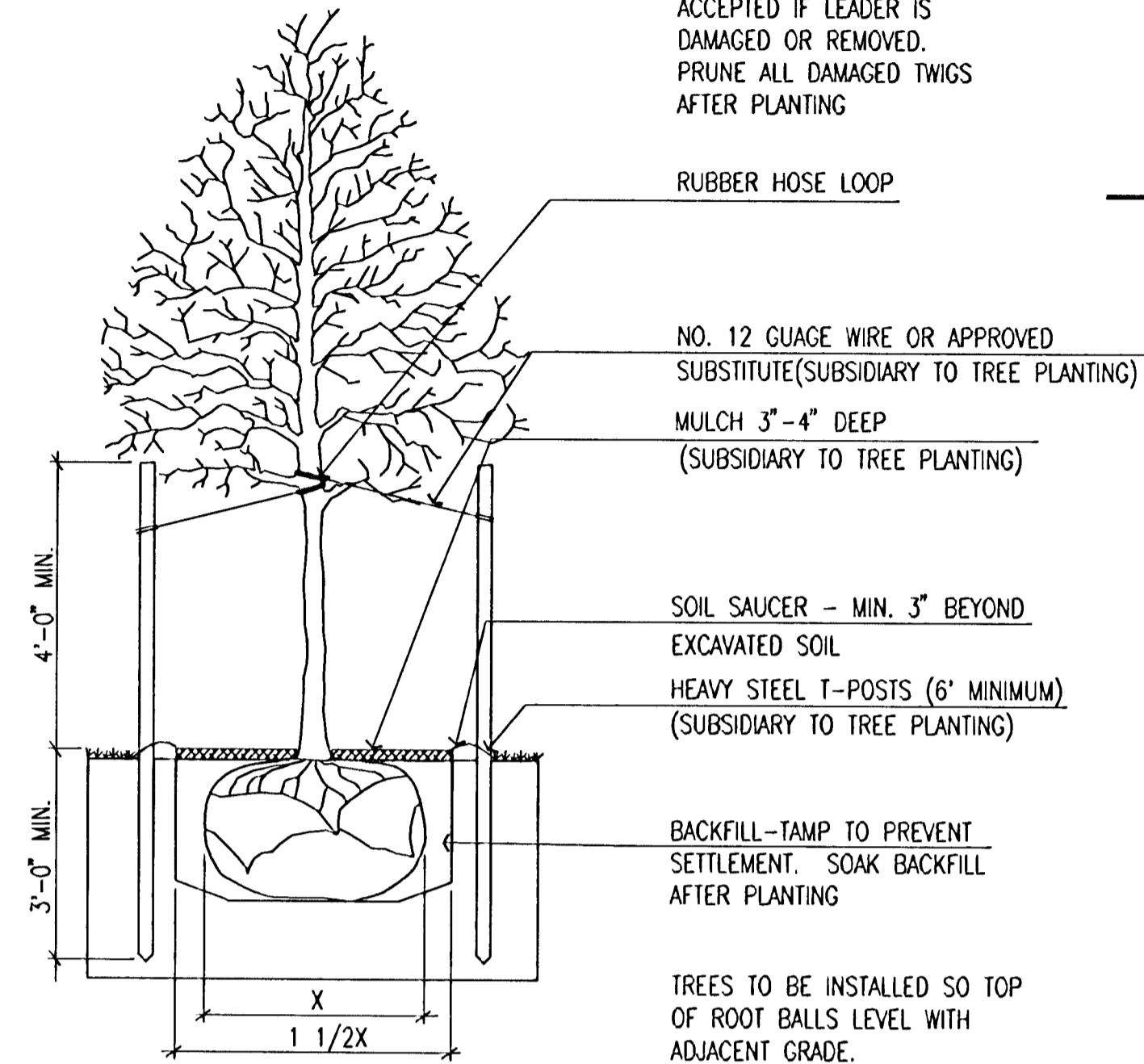
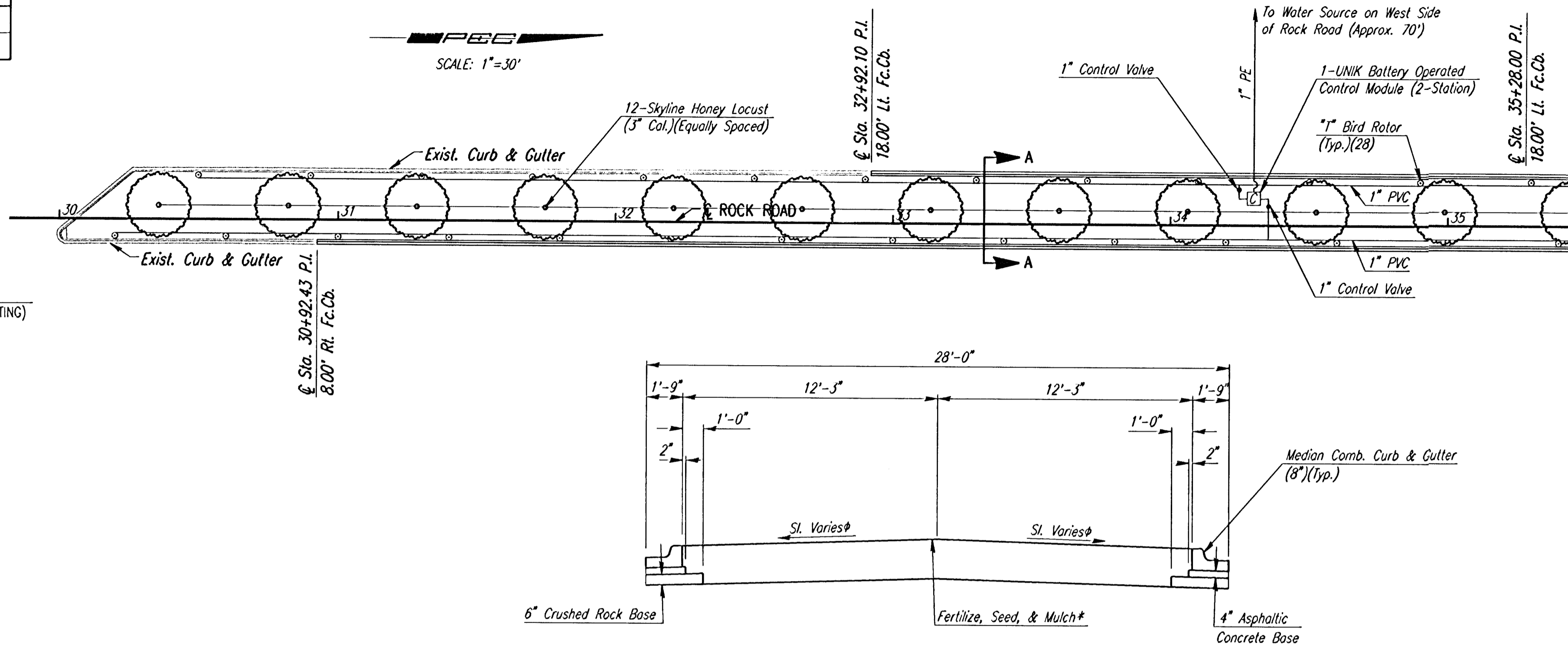


PLANT MATERIAL LIST				
QUANTITY	COMMON NAME	BOTANICAL NAME	SIZE	CONDITION
12	SKYLINE HONEY LOCUST	GLEDITSIA TRIACANTHOS "SKYLINE"	3" CAL.	B & B

NOTE: TREES WITH CENTRAL LEADERS WILL NOT BE ACCEPTED IF LEADER IS DAMAGED OR REMOVED. PRUNE ALL DAMAGED TWIGS AFTER PLANTING



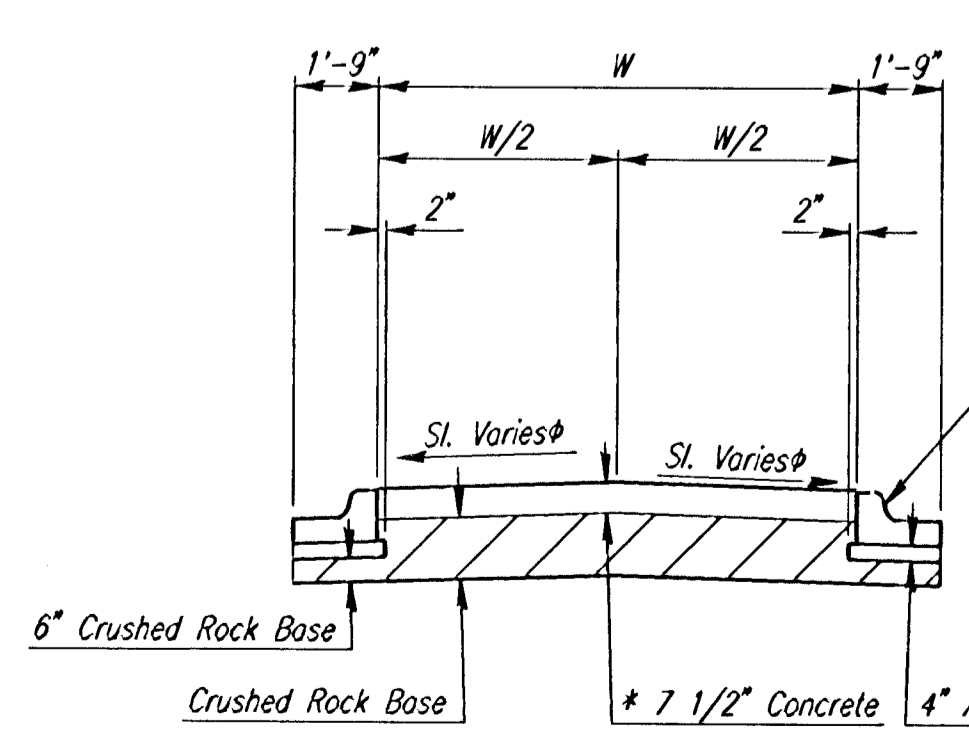
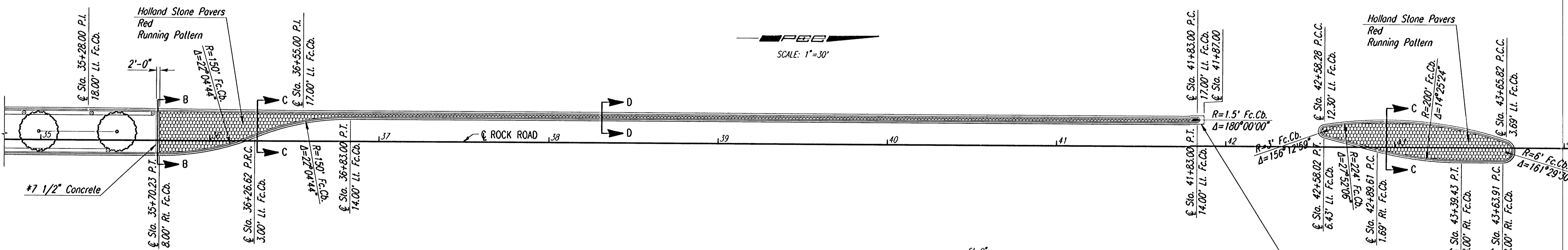
TREE PLANTING & STAKING DETAIL
2" CALIPER AND LARGER NO SCALE



SECTION A-A

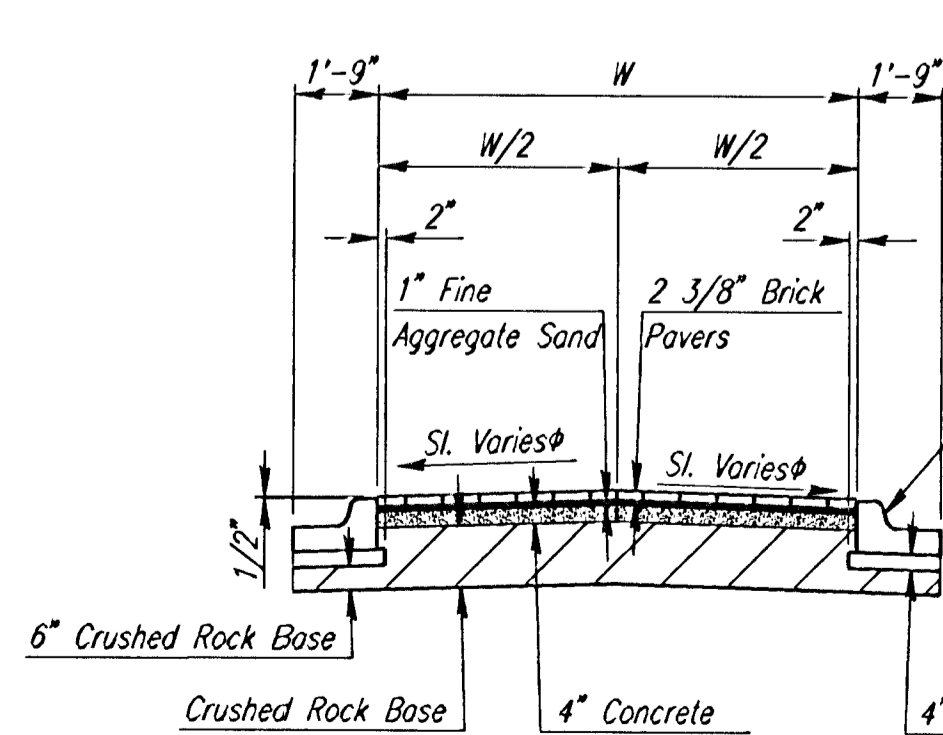
* Premium Fescue Seeding as per City of Wichita Specifications.

- BRICK PAVEMENT**
- CONCRETE PAVING BRICK SHALL BE 2 3/8" MIN. THICKNESS AND MEET OR EXCEED ASTM C-936-82. PAYMENT SHALL BE AT THE CONTRACT BID PRICE PER SQUARE YARD FOR "BRICK PAVEMENT". PAVING BRICK SHALL BE "HOLLAND-STONE" PAVERS AS MANUFACTURED BY "PAVESTONE".
 - THE BID ITEM "BRICK PAVEMENT" SHALL INCLUDE BRICK PAVERS, FINE SAND, CONCRETE, PLUS ANY TOOLS, LABOR, EQUIPMENT NECESSARY TO CONSTRUCT BRICK PAVEMENT COMPLETE AND IN PLACE.
 - SAND BEDDING SHALL MEET THE CITY'S REQUIREMENTS FOR FINE AGGREGATE. AN UNCOMPACTED SAND LAYING COURSE SHALL BE SPREAD EVENLY OVER THE AREA TO BE PAVED AND THEN SCREEDED TO A LEVEL OF APPROXIMATELY 1" THICKNESS. ONCE SCREEDED AND LEVELED TO THE DESIRED ELEVATION, THE SAND LAYING COURSE SHALL NOT BE DISTURBED IN ANY WAY.
 - THE BRICK PAVERS SHALL BE INSTALLED PARALLEL TO THE CENTERLINE OF ROCK ROAD. STONES SHALL BE PLACED WITH THE CHAMFERED SIDE UP, AND JOINT SPACES KEPT UNIFORM APPROXIMATELY 1/8" THICK. THE GAPS AT THE EDGE OF THE PAVED SURFACE SHALL BE FILLED WITH STONES CUT TO FIT. WHENEVER POSSIBLE, NO CUTS SHOULD RESULT WITH A PAVER LESS THAN ONE-THIRD OF ITS ORIGINAL DIMENSION.
 - AFTER VIBRATION, CLEAN CONCRETE SAND SHALL BE SPREAD OVER THE PAVING STONE SURFACE, ALLOWED TO DRY, AND VIBRATED INTO JOINTS WITH ADDITIONAL PASSES OF THE PLATE VIBRATOR SO AS TO COMPLETELY FILL THE JOINTS. A LIGHT COATING OF SAND SHALL BE SWEEPED OVER THE COMPLETED SURFACE AND LEFT TO WEATHER IN.

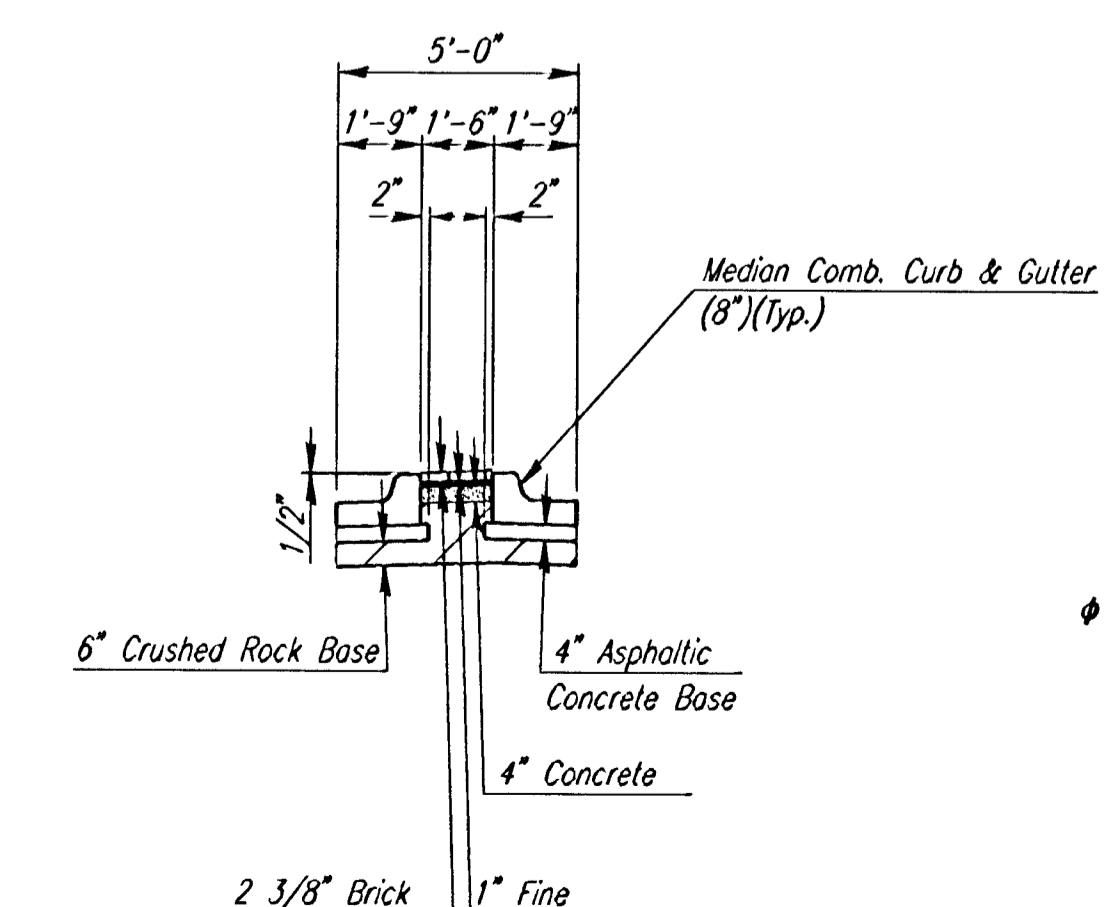


SECTION B-B

* 7 1/2" Concrete shall be Subsidiary to the Bid Item "Brick Pavement".



SECTION C-C



SECTION D-D

See Sheet Nos. 3 & 4 for Island Cross Slopes.

DSNR: PMM OPER: BUS SCALE: 1"=30' 1/1999/99687/001/landdt.dgn 6-29-2000

PROJECT NO.	472-83222	SHEET NO.	8	TOTAL SHEETS	32
-------------	-----------	-----------	---	--------------	----

No.	Revisions	By	Date

CITY OF WICHITA, KANSAS

LANDSCAPING AND ISLAND DETAILS

Professional Engineering Consultants, P.A.
303 S. TOPEKA • WICHITA, KANSAS 67202
316-262-2691 • FAX 316-262-3003

Designed by	BER, PMM	Checked by	
Drawn by	BUS	Date	APRIL 2000
		Job No.	99687-1