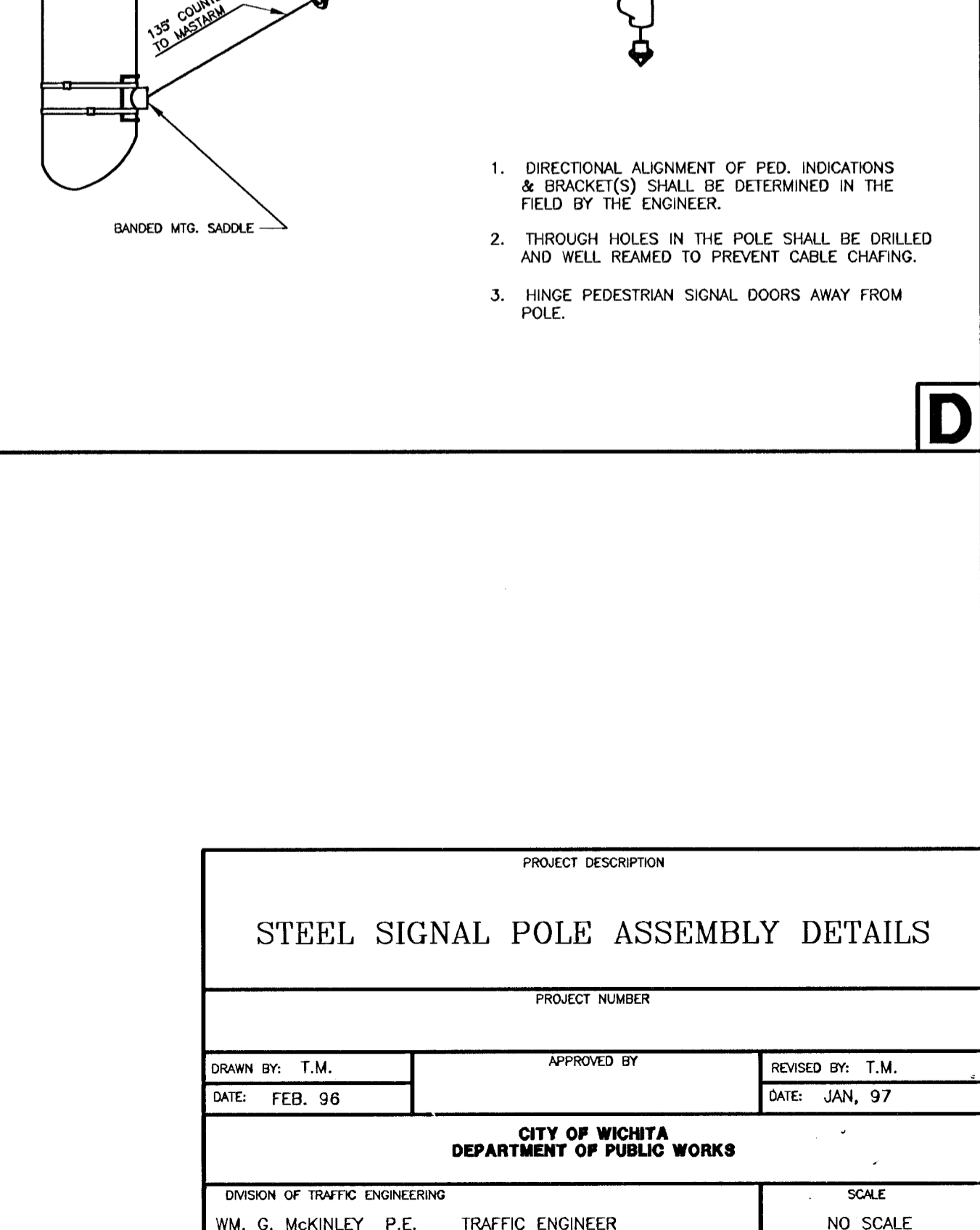
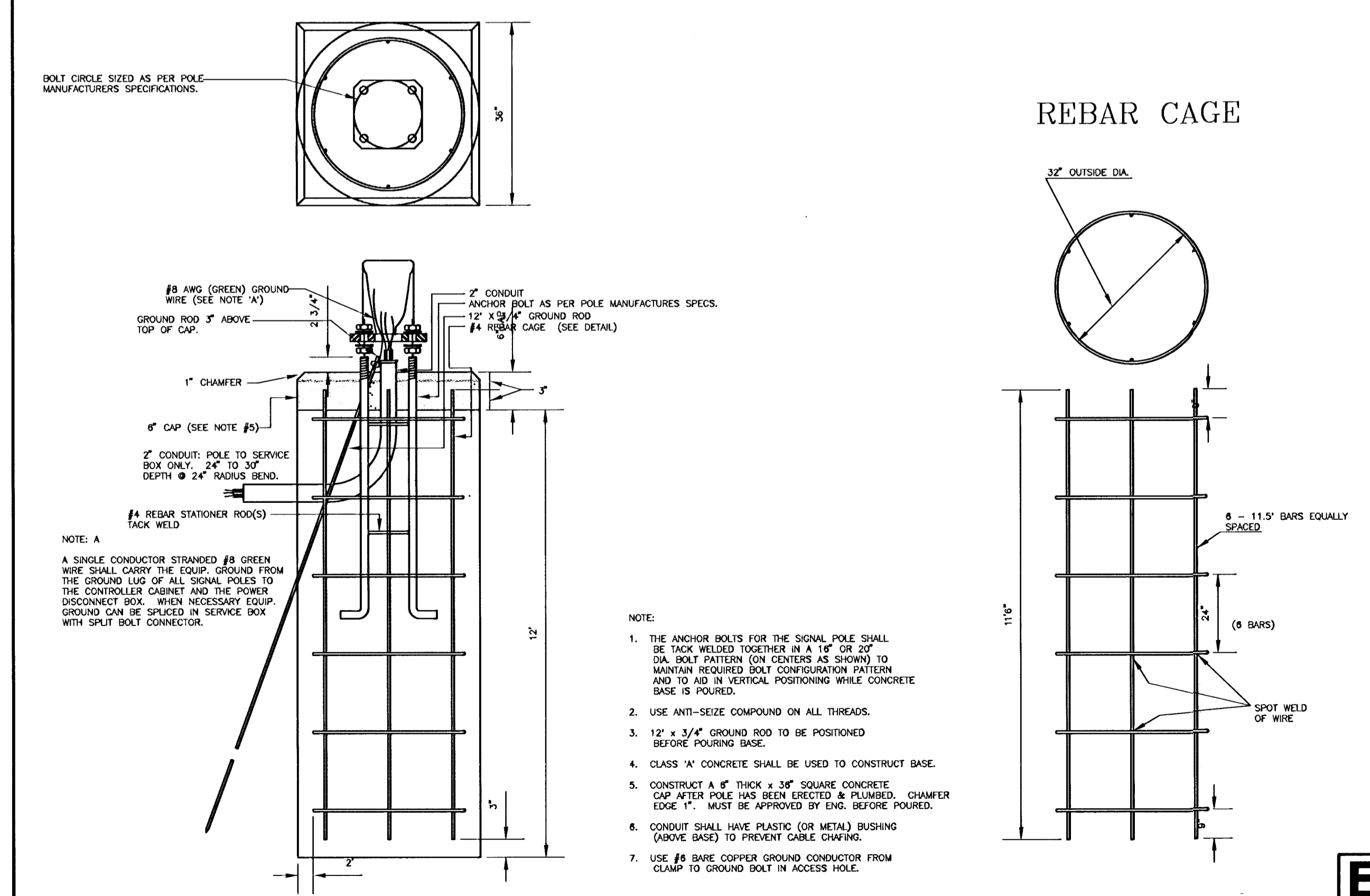
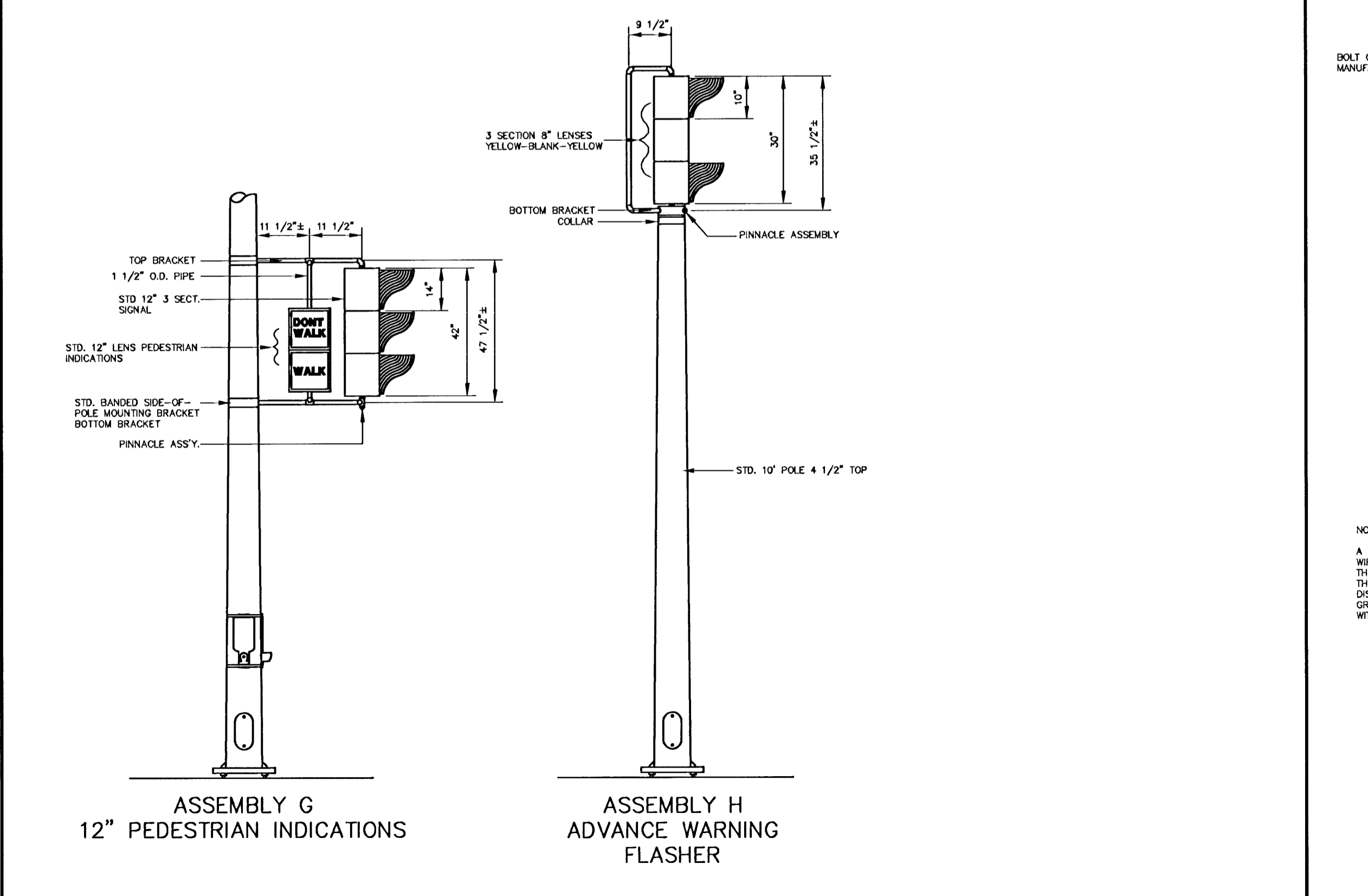
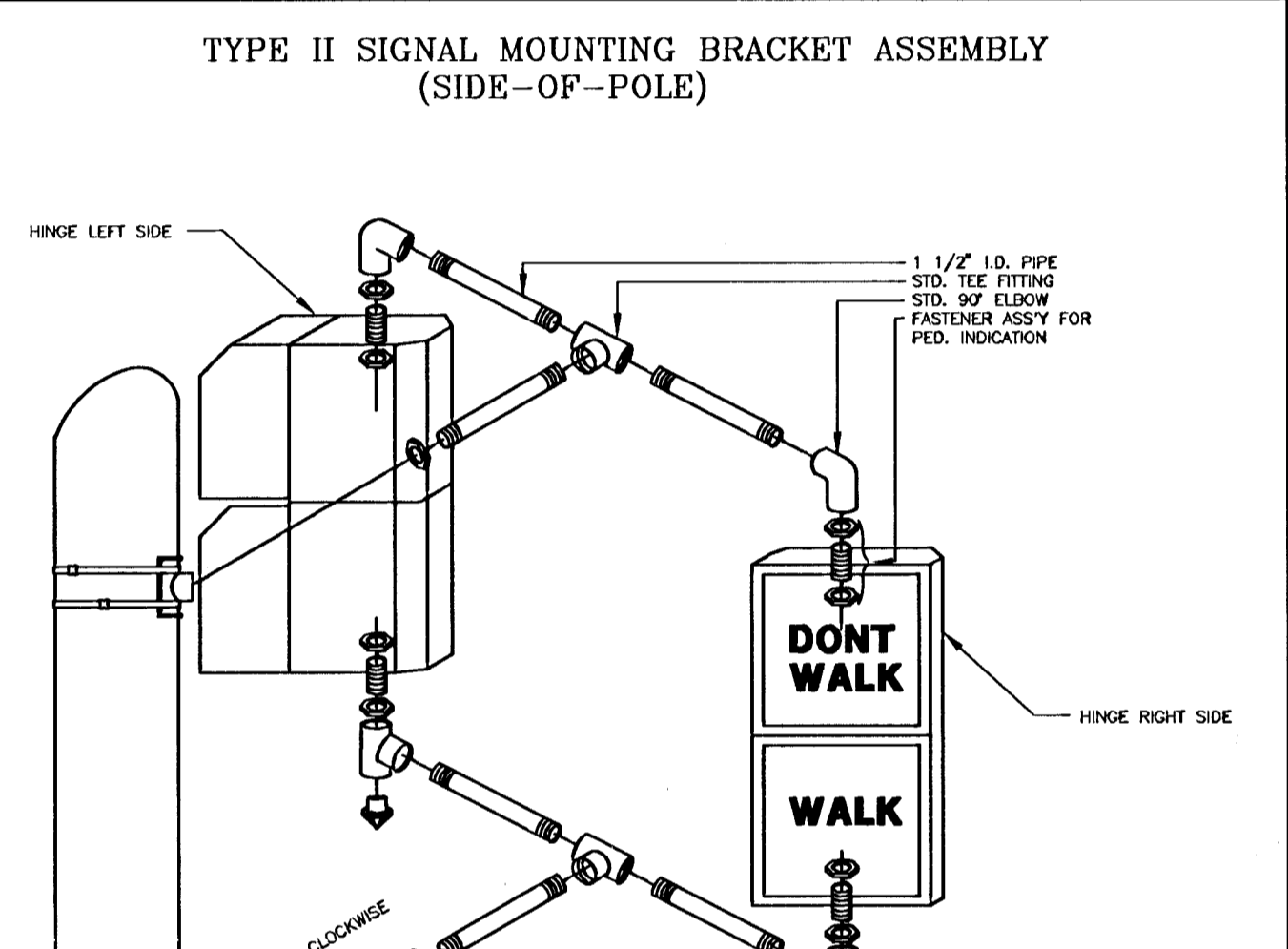
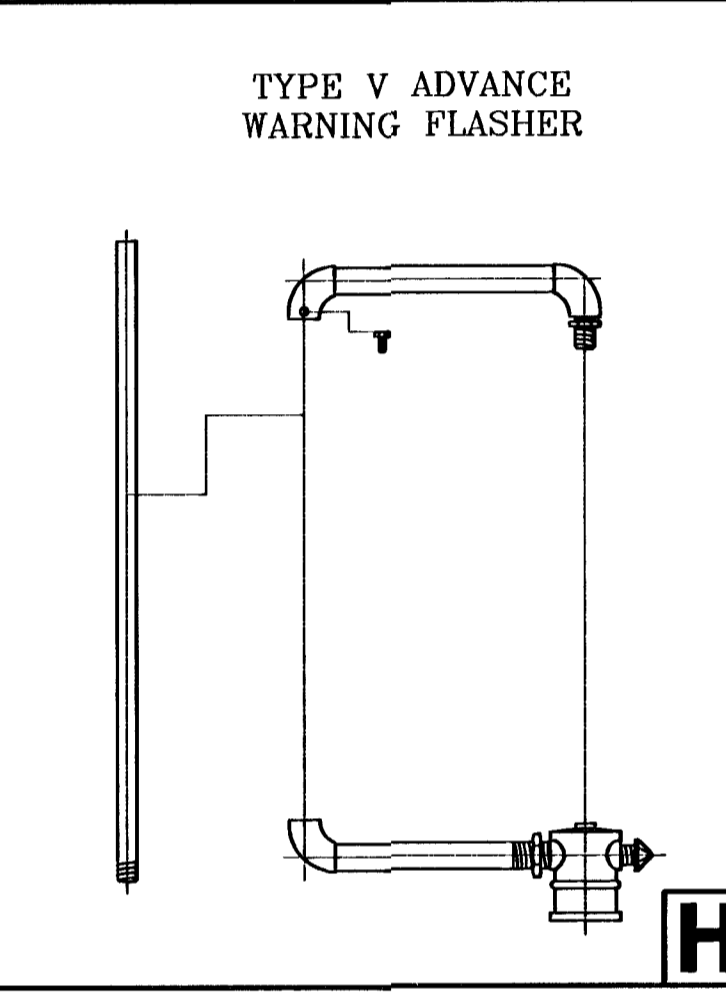
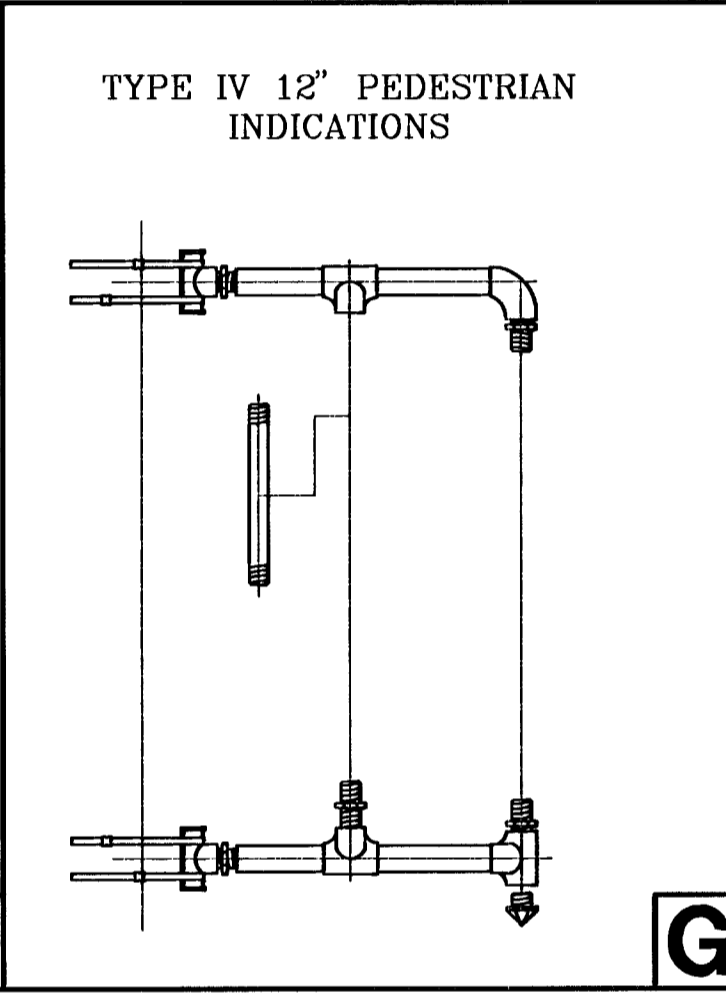
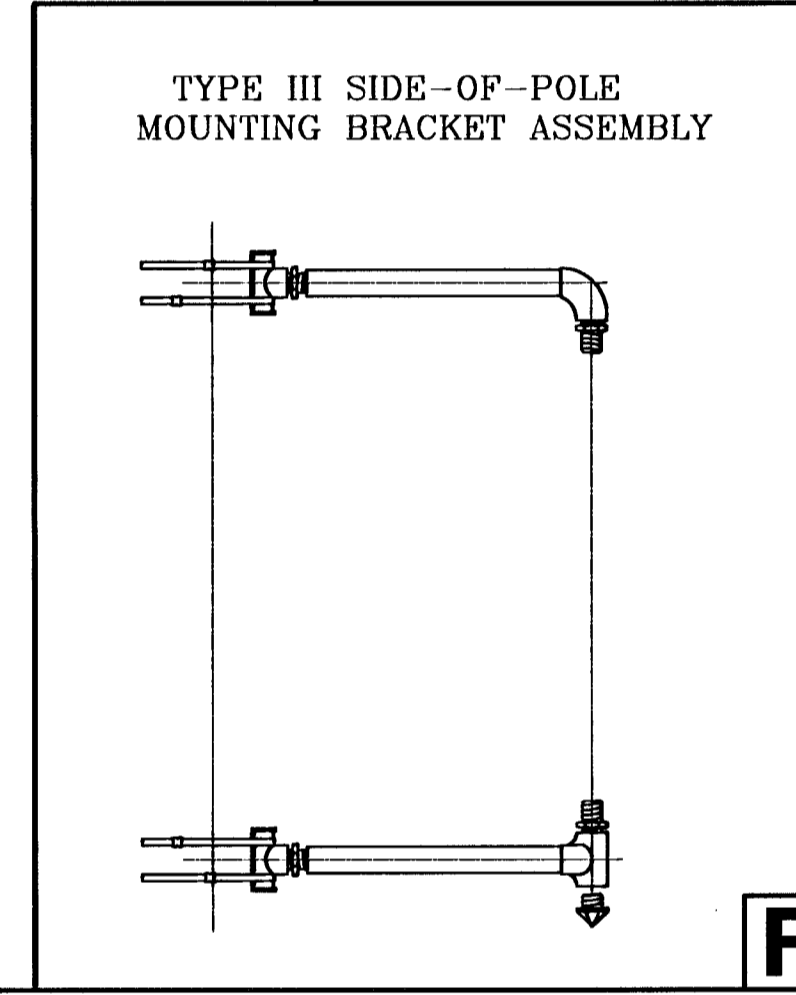
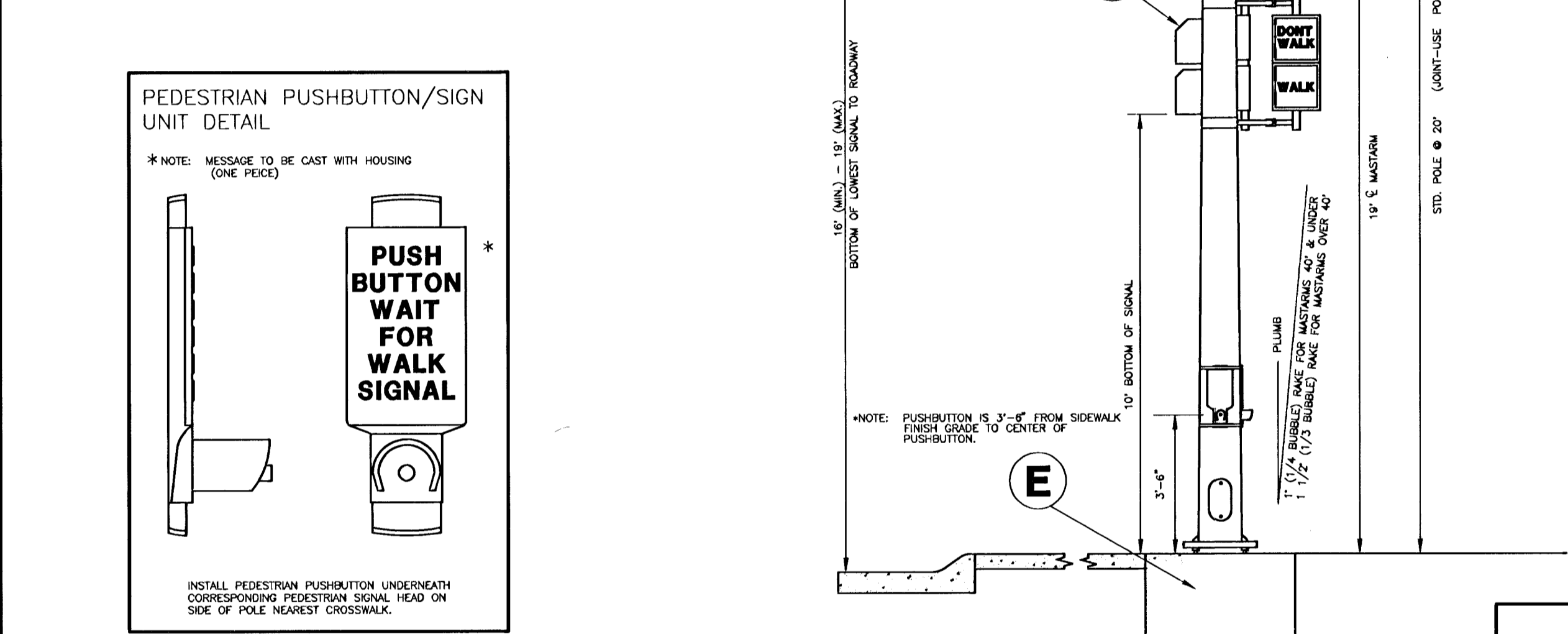
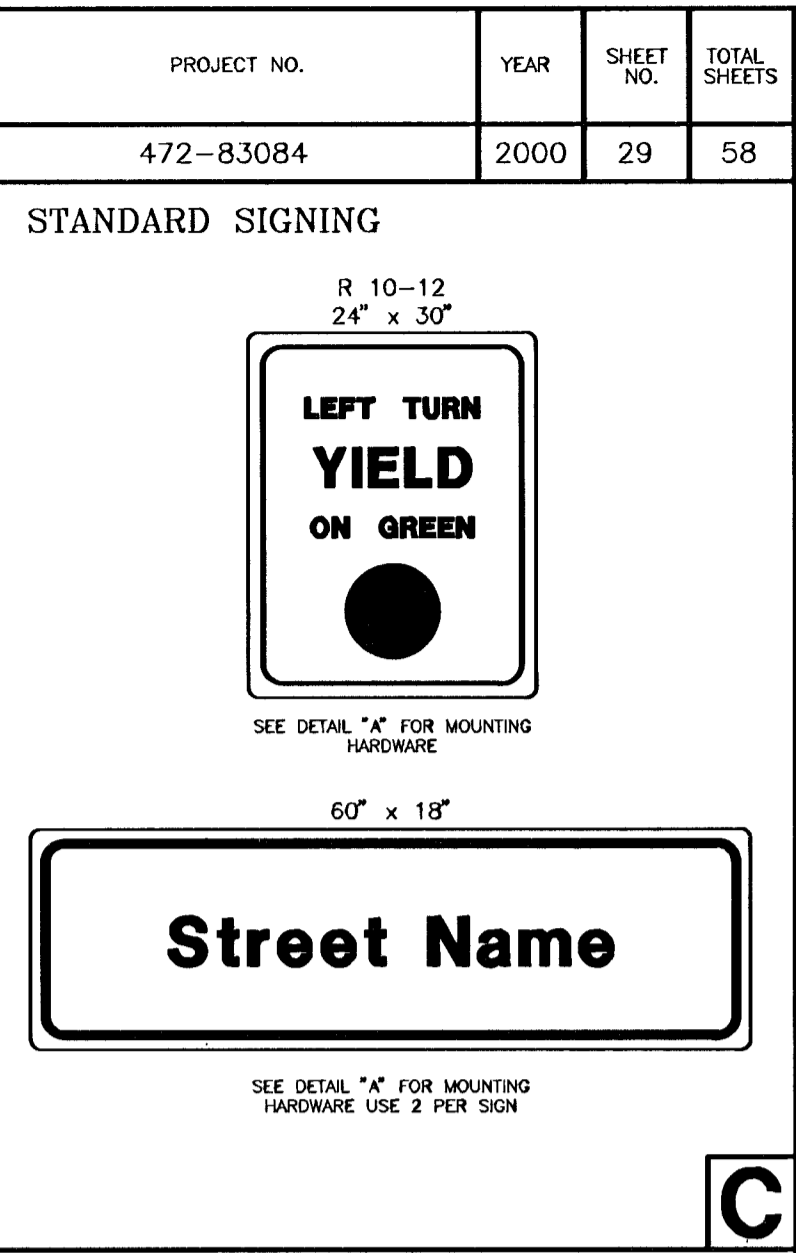
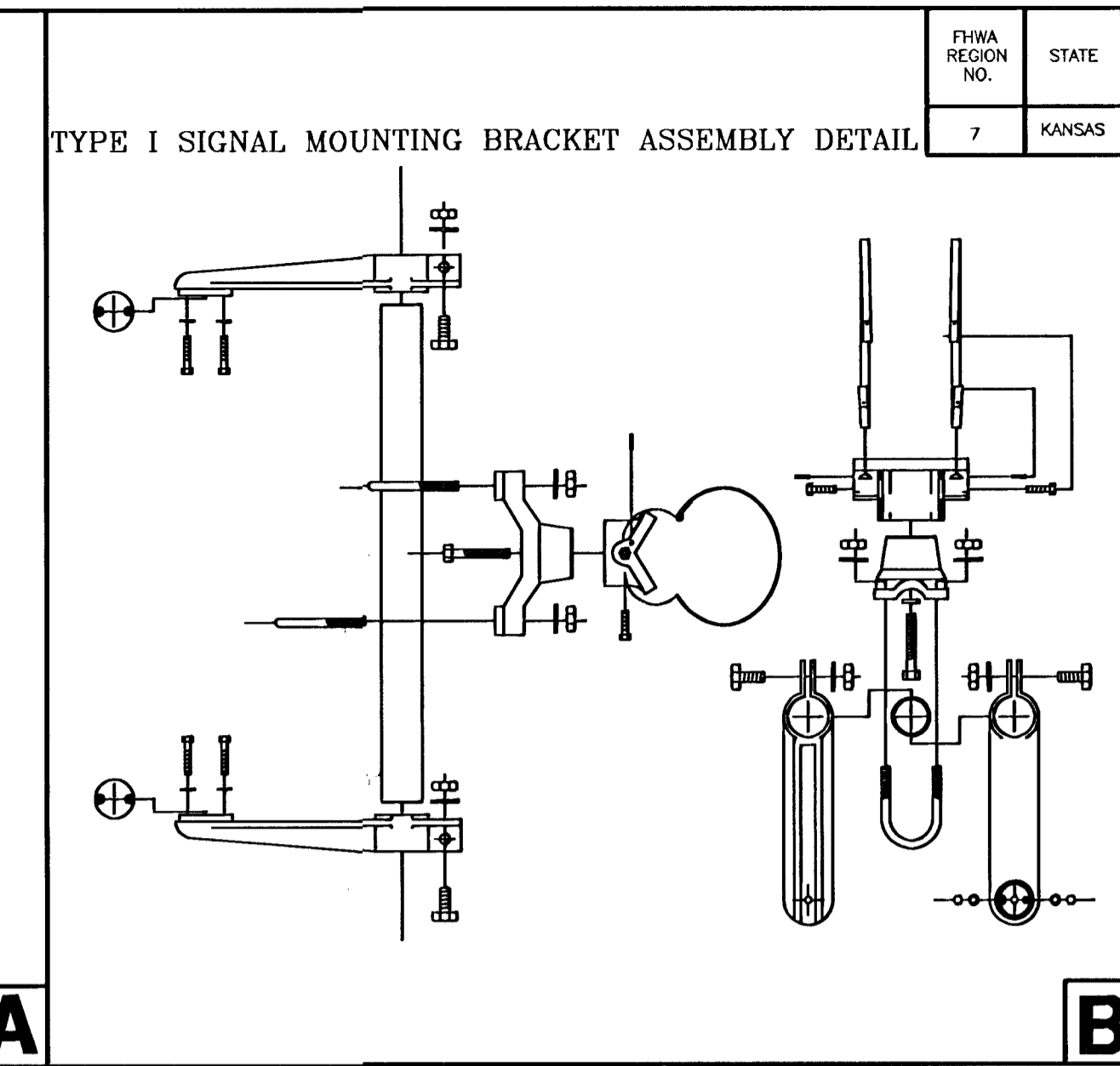
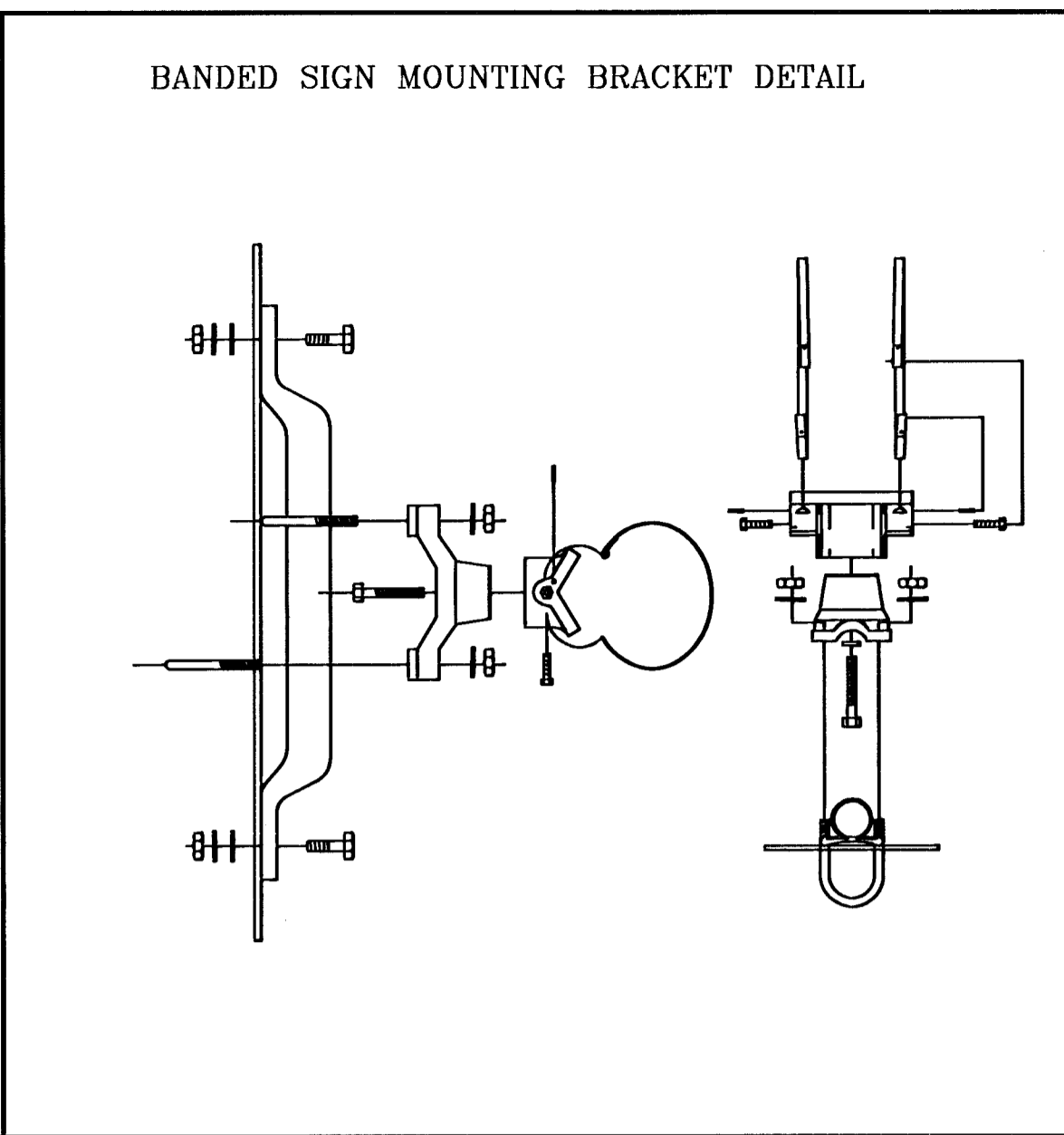
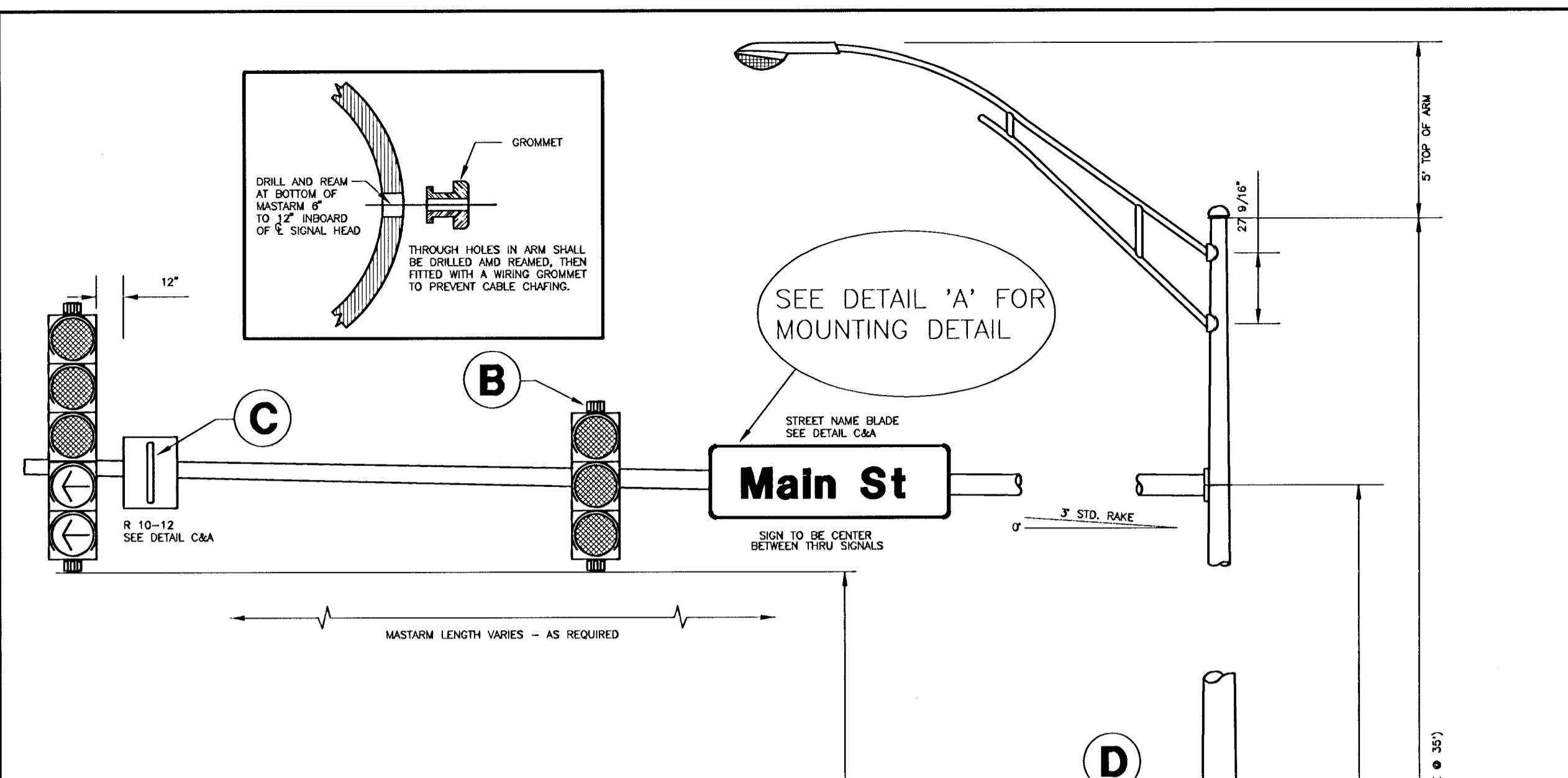


FHWA REGION NO.	STATE	PROJECT NO.	YEAR	SHEET NO.	TOTAL SHEETS
7	KANSAS	472-83084	2000	29	58



H:\CITY\WICHITA\SENeca\94005-2\SIGNAL\SSP-DTL.DWG. Mon May 01 16:32:44 2000