

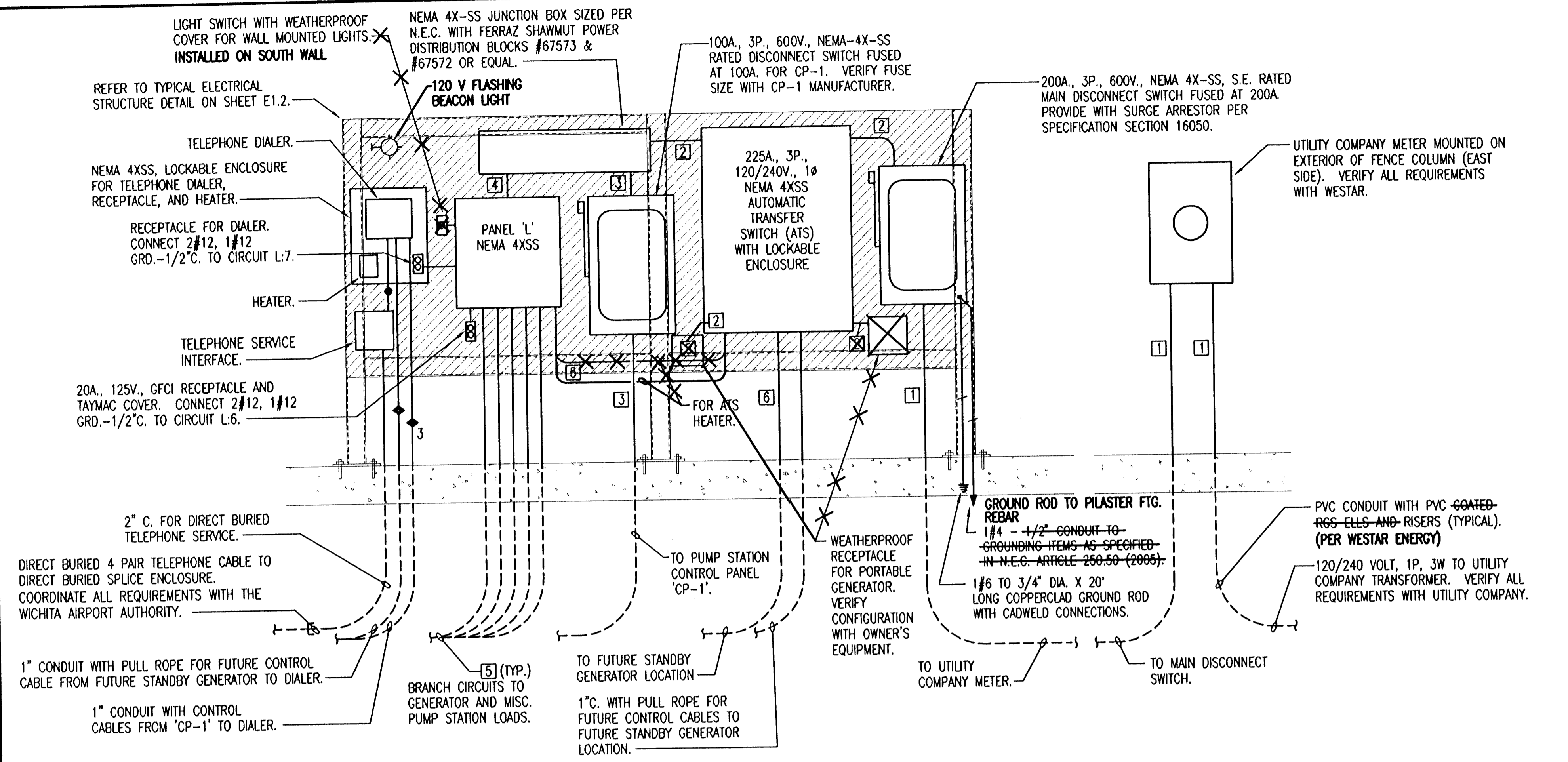
GENERAL NOTES

- ALL ELECTRICAL WORK SHALL COMPLY WITH THE LATEST EDITION OF THE NATIONAL ELECTRICAL CODE (NEC) & THE AMERICANS WITH DISABILITIES ACT (ADA).
- REFER TO RELATED ARCHITECTURAL, MECHANICAL, AND STRUCTURAL DRAWINGS FOR RELATED INFORMATION.
- REFER TO THE SPECIFICATIONS FOR DATA NOT ON THE DRAWINGS.
- E.C. SHALL REFER TO MECHANICAL DRAWINGS AND SPECIFICATIONS FOR THE REQUIREMENTS ASSOCIATED WITH WIRING AND CONNECTION OF INTERLOCKING AND CONTROLS OF MECHANICAL UNITS AND THERMOSTAT LOCATIONS.
- COORDINATE OUTLET BOX LOCATIONS WITH MASONRY TO MINIMIZE CUTTING OF BRICK OR BLOCK.
- ALL MOUNTING HEIGHTS TO CENTERLINE OF ITEM UNLESS OTHERWISE NOTED. VERIFY ALL OUTLET LOCATIONS ON THE JOB PRIOR TO ROUGH-IN.
- CONDUIT RUN W/CONDUCTORS AS INDICATED & GROUND WIRE SIZED PER N.E.C. 250-122 (1999). CONDUIT SIZE AS REQUIRED.
- WHEN INCREASED CONDUCTOR SIZES ARE SHOWN ON THE PLANS, THE LARGER CONDUCTOR SIZE SHALL BE USED THROUGHOUT THE LENGTH OF THE CIRCUIT, INCLUDING NEUTRAL AND GROUND.
- ALL EXPOSED AND UNDERGROUND CONDUITS SHALL BE PVC COATED RGS, UNLESS OTHERWISE NOTED.
- INSTALL NAMEPLATES ON EXTERIOR OF PANEL 'L' AND LIFT STATION ENCLOSURE INDICATING MONTH AND YEAR PLACED IN SERVICE.
- THE PORTION OF THE WORK PROVIDED BY WESTAR SHALL BE PAID FOR BY THE OWNER. THE CONTRACTOR IS RESPONSIBLE FOR ALL SCHEDULING AND COORDINATION WITH WESTAR.

SYMBOL LIST

SYMBOL	DESCRIPTION	MOUNTING
WP	WEATHERPROOF	
UON	UNLESS OTHERWISE NOTED	
⊕	GROUND FAULT DUPLEX RECEPTACLE	46" AFF
□	SPECIAL DEVICE (AS NOTED)	
⊞	JUNCTION BOX	
—A	BRANCH CIRCUIT PANEL & PANEL DESIG.	72" TO TOP
▨	ELECTRICAL DISTRIBUTION EQUIPMENT	
1	FEEDER DESIGNATION	
⊙	TELEPHONE CABLE	IN CONDUIT
⊙	ANALOG CONTROL CABLE - # OF SHIELDED PAIRS	IN CONDUIT
⊙	CONTROL CABLE - # OF PAIRS	IN CONDUIT
—	CONDUIT SEAL	
—	CONDUIT RUN 2#10 & 1#10 GRD.-3/4"C.	CEIL./WALL
—	CONDUIT RUN 2#10 & 1#10 GRD.-3/4"C.	EARTH/FLOOR
—	CONDUIT RUN 2 CIRCUITS, 3#10 & 1#10 GRD.-3/4"C.	EARTH/FLOOR
—	CONDUIT RUN PARTIAL CIRCUIT	
—	SEE GENERAL NOTE 7 & 8	
—	CONDUIT RUN TWO (2) CIRCUITS	CEIL./WALL
—	PHASE CONDUCTORS (#10 UON)	
—	NEUTRAL CONDUCTOR (#10 UON)	
—	SWITCH LEGS (#10 UON)	
—	GROUND CONDUCTOR (#10 UON)	
—	MISC. EQUIPMENT CONNECTION	
⊙	MOTOR	
⊞	DISCONNECT SWITCH	
⊞	STARTER	
⊞	120V. HORN	
⊞	120V. FLASHING BEACON LIGHT	
⊞	LIGHT FIXTURE & FIXTURE LETTER	WALL

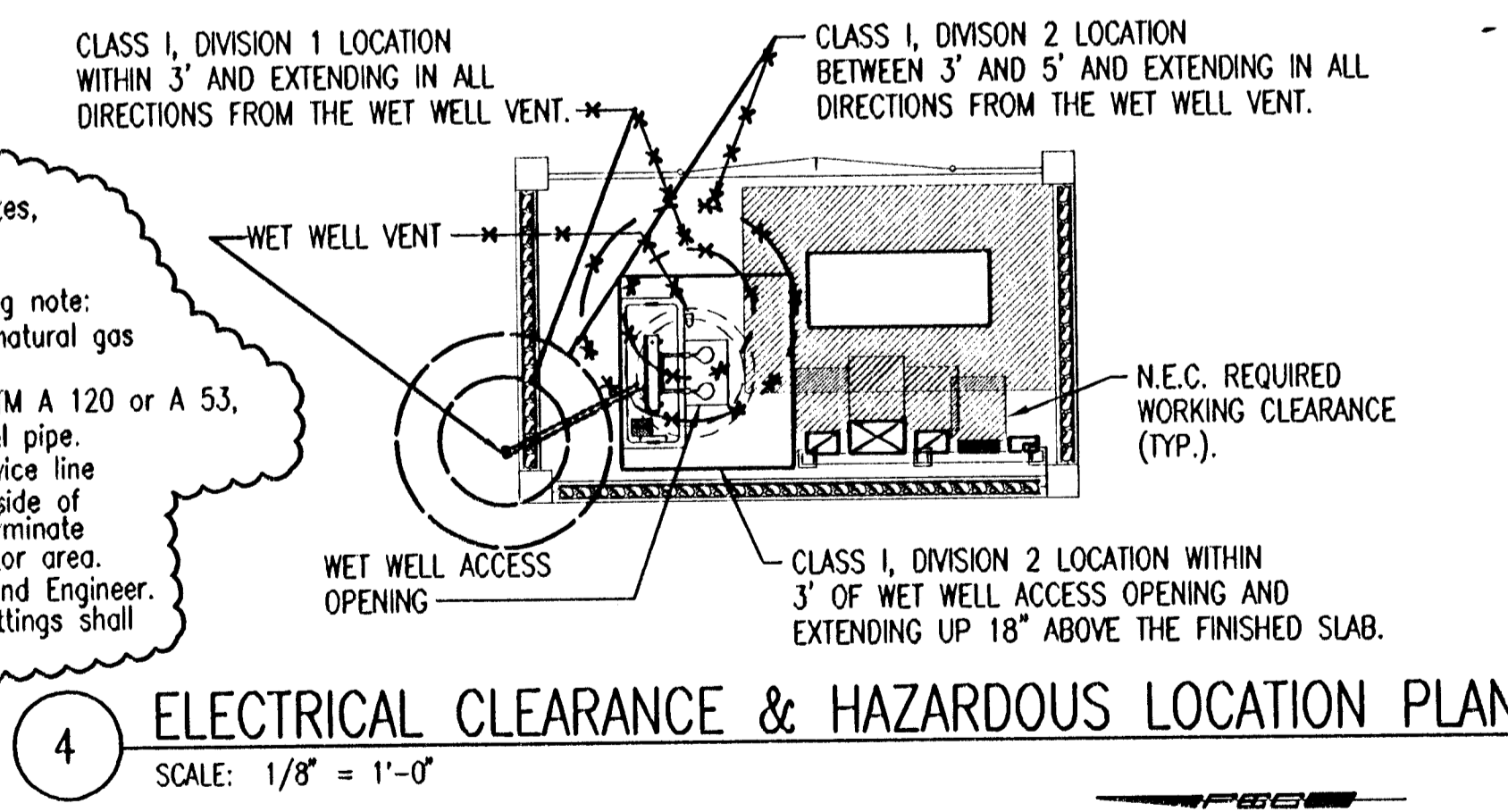
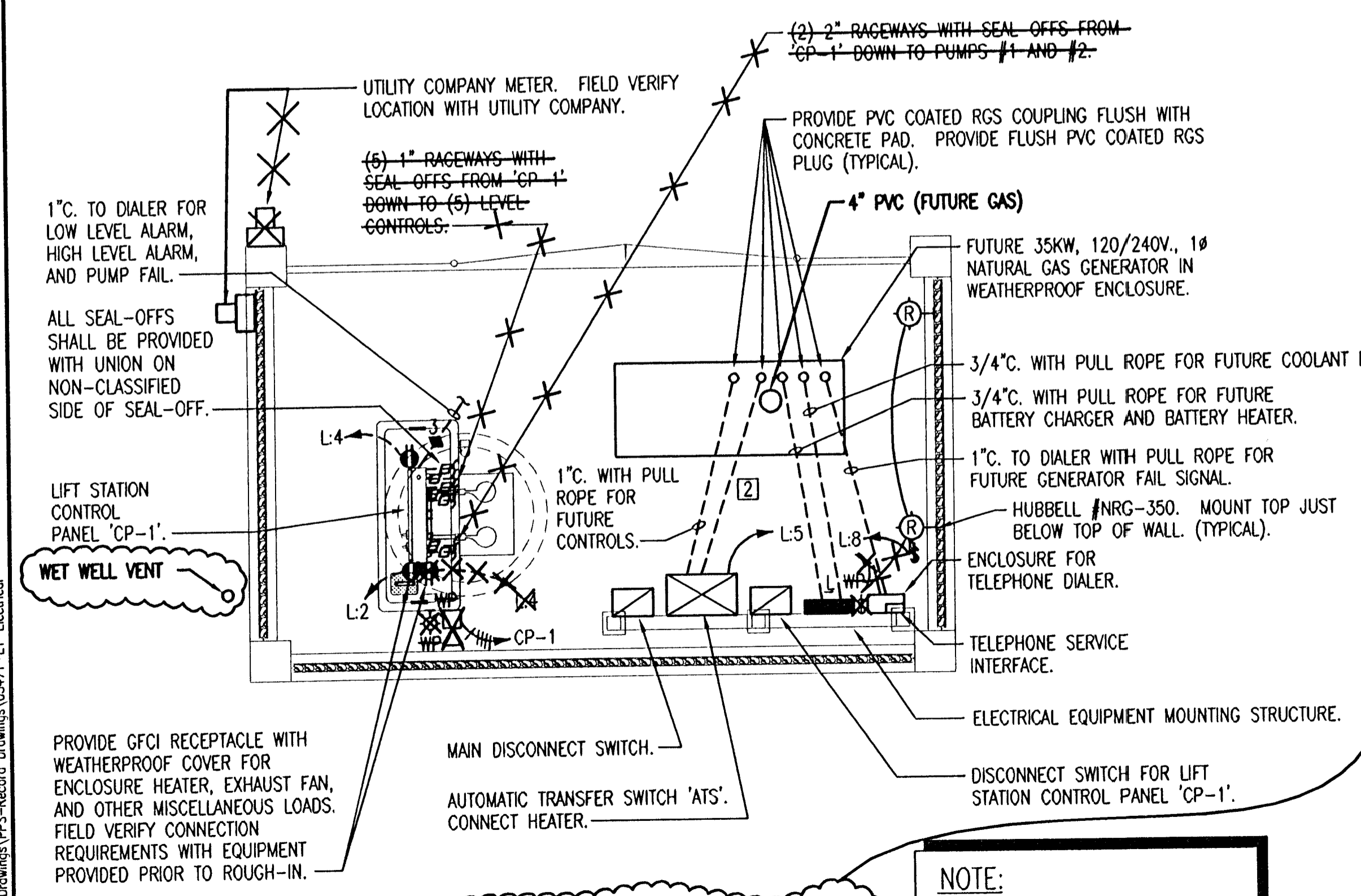
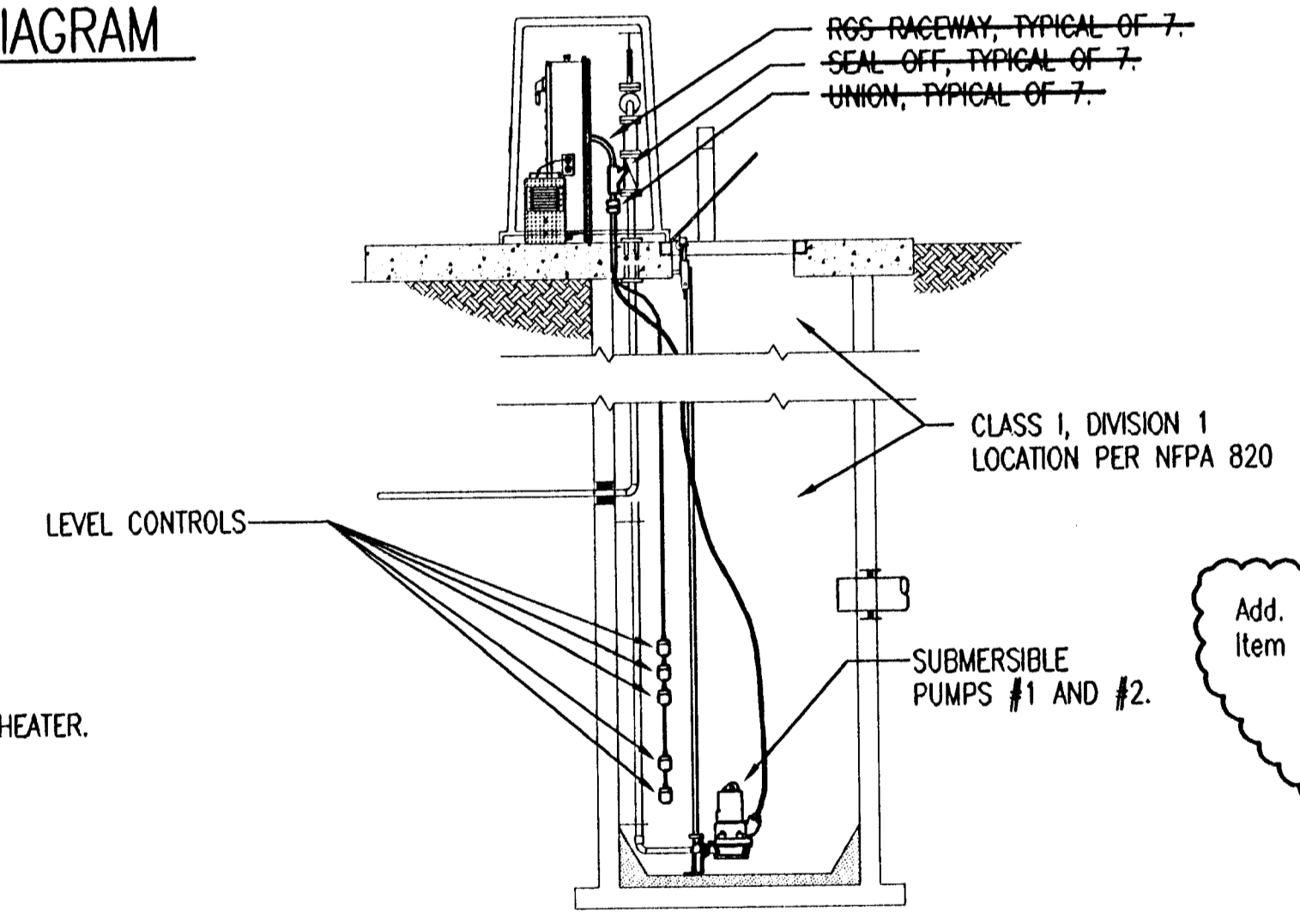
① ANALOG CONTROL CABLE BELDEN #8760, 3/4"C. MIN.
 ② #14 AWG CU CONDUCTORS WITH #12 AWG CU GROUND.



FEEDER SCHEDULE

DESIG.	EQUIPMENT SERVED	CONDUCTORS		GROUND SIZE PER SET	ISOLATED GROUND SIZE	CONDUIT SIZE PER SET
		SETS	NO. SIZE			
1	METER/MAIN DISCONNECT	1	3 #3/0 AWG CU	—	—	3"
2	ATS/GEN REC/DIST. BLOCKS	1	3 #3/0 AWG CU	#8	—	2"
3	CONTROL PANEL 'CP-1'	1	3 #1 AWG CU	#8	—	1-1/2"
4	PANEL 'L'	1	3 #1 AWG CU	#8	—	1-1/2"
5	MISC.	1	2 #10 AWG CU	#10	—	3/4"
6	FUTURE GENERATOR	1	— WITH PULL ROPE	—	—	2"

Brad E. Clark
RECORD DRAWING



NOTE:
 PROVIDE (7) RAGWAYS DOWN THRU TOP OF WET WELL WITH SEAL-OFFS FOR CONNECTION OF (6) LEVEL CONTROL INSTRUMENTS AND (2) PUMPS. ALL POWER AND CONTROLS CABLING FOR PUMPS AND LEVEL INSTRUMENTS TO BE PROVIDED BY THE LIFT STATION PROVIDER. INSTALLATION OF CABLING FROM EQUIPMENT SHALL BE BY ELECTRICAL CONTRACTOR. FINAL TERMINATIONS OF EQUIPMENT IN 'CP-1' SHALL BE BY LIFT STATION SUPPLIER. COORDINATE ALL INSTALLATION REQUIREMENTS WITH LIFT STATION EQUIPMENT MANUFACTURER. PROVIDE CONNECTIONS AS REQUIRED FOR EXHAUST FAN AND LOUVER, AND ENCLOSURE HEATER.

NOTE:
 LOCATE ALL CONDUITS INSTALLED FOR FUTURE GENERATOR BASED ON AN ONAN GENERATOR.

PANELBOARD: L

240/120 VOLTS, 1 PHASE, 3 WIRE
 100 AMP MAIN BKR, SURFACE MTD.
 22000 AIC LABELED

CIRCUIT NO.	LOAD V. A.	LOAD TYPE	DESCRIPTION	AMP SIZE	WIRE SIZE	WIRE TYPE	LOAD DESCRIPTION	LOAD V. A.	CIRCUIT NO.
1	1500	GEN	FUT GEN COOLANT HEATER	20	A	20	LIFT STATION HEATER	1500	2
3	1500	GEN	FUT GEN BMT CHARGER & MTR	20	B	20	LIFT STATION VENT. FAN	1175	4
5	1500	GEN	ATS HEATER	20	A	20	CONV. RECEPT.	200	6
7	1200	GEN	DIALER & HEATER	20	B	20	WALL MOUNTED LIGHTS	150	8
9			SPARE	20	A	20	SPARE		10
11			SPARE	20	B	20	SPARE		12

ADDENDUM #3

THE WICHITA AIRPORT AUTHORITY
 COLONEL JAMES JABARA AIRPORT

ELECTRICAL SYMBOLS, GENERAL NOTES, SCHEDULES, AND DETAILS

SANITARY SEWER AND WATER DISTRIBUTION SYSTEM
 SOUTHWEST AREA SITE DEVELOPMENT IMPROVEMENTS

Professional Engineering Consultants, P.A.
 303 S. TOPEKA • WICHITA, KANSAS 67202
 316-262-2691 • FAX 316-262-3003

Date SEPTEMBER 2005 Job No. 05471-019

Sheet 02-19-2007 15:56:24 PM by JLS
 Plot Scale 1/4" = 0'-0" 11/27/06 AM by JLS
 Q:\2005\05471\Record Drawings\SP-Record Drawings\05471-E1-Electrical