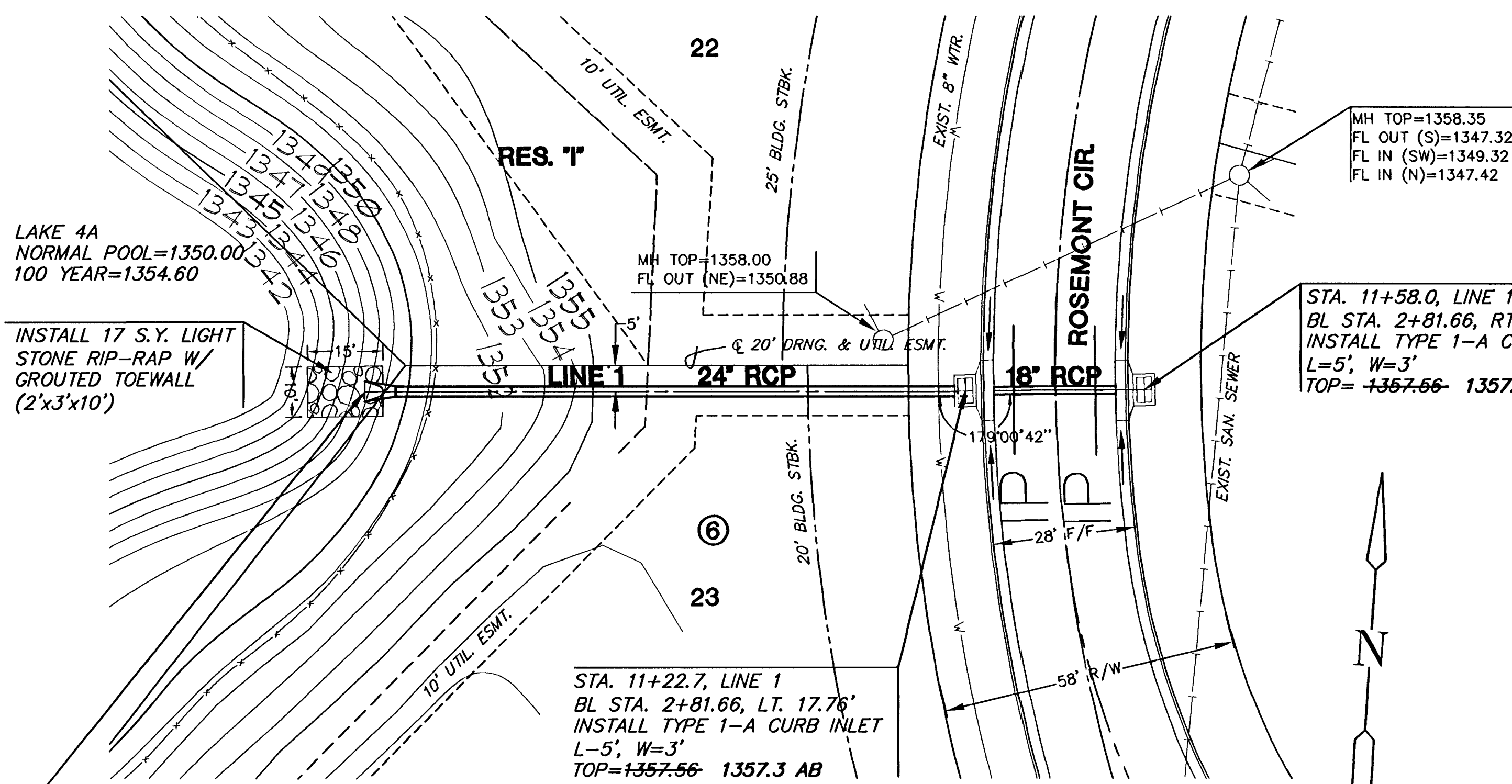


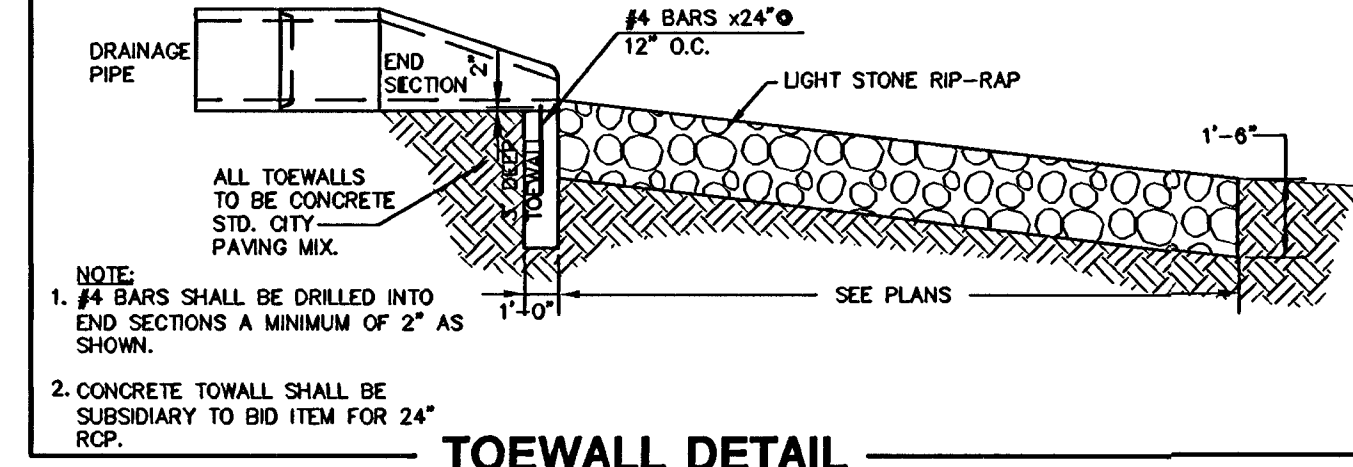
HAWTHORNE ADDITION



HAWTHORNE ADDITION

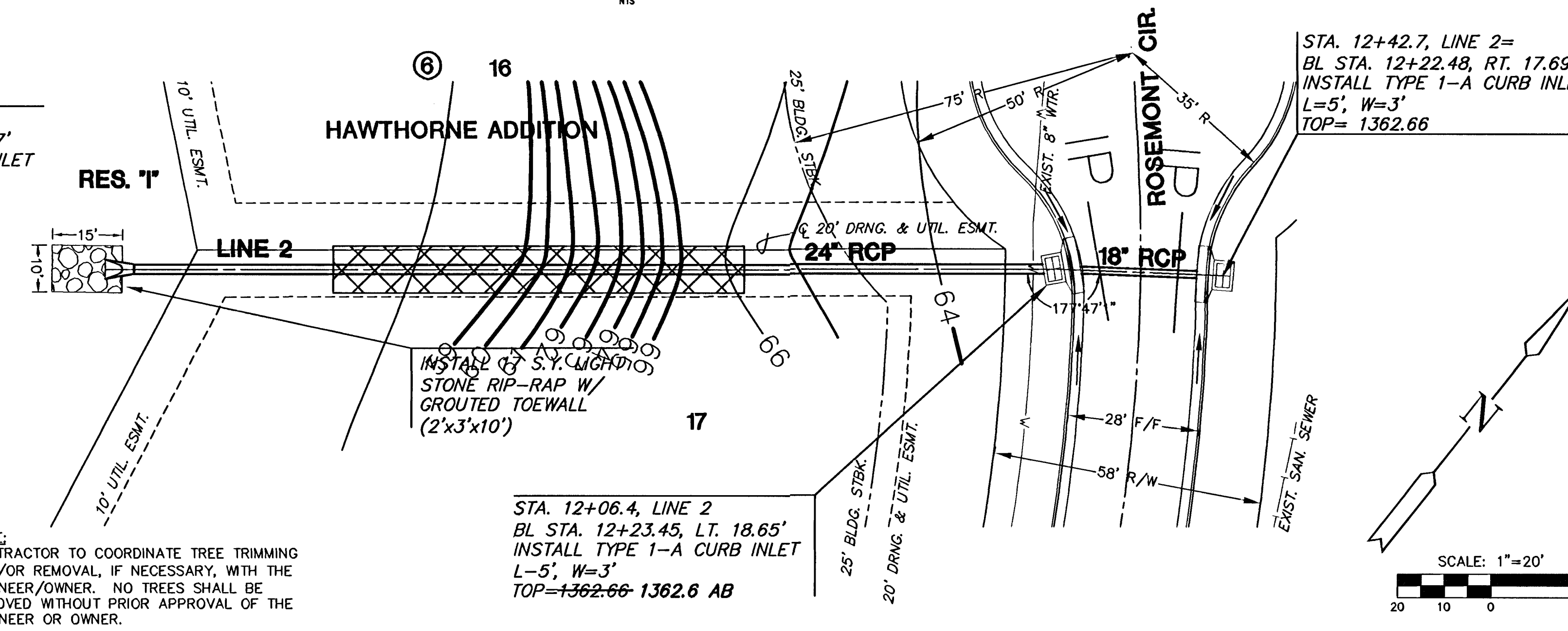
PLAN LINE 1

SCALE: 1"=20'



PROJECT NO. 141PPP
OCA NO. 607879

HAWTHORNE ADDITION
ROSEMONT CIRCLE
STORM WATER SEWER PLANS



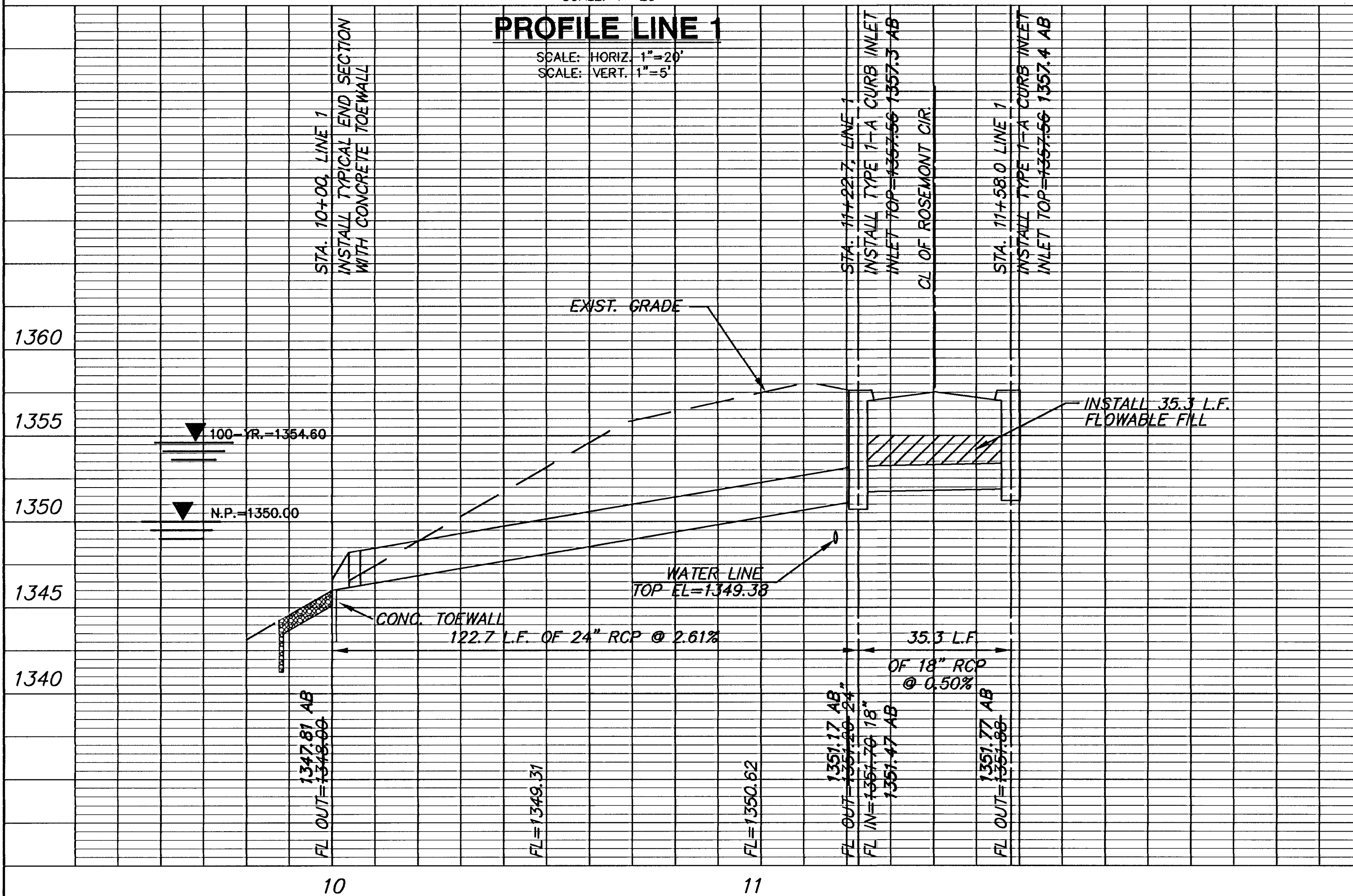
PLAN LINE 2

SCALE: 1"=20'

AS-BUILT MAY 2007

PROFILE LINE 1

SCALE: HORIZ. 1"=20'
SCALE: VERT. 1"=5'



PROFILE LINE 2

SCALE: HORIZ. 1"=20'
SCALE: VERT. 1"=5'

