

**INSTALLATION DETAILS FOR PERMANENT EROSION CONTROL**

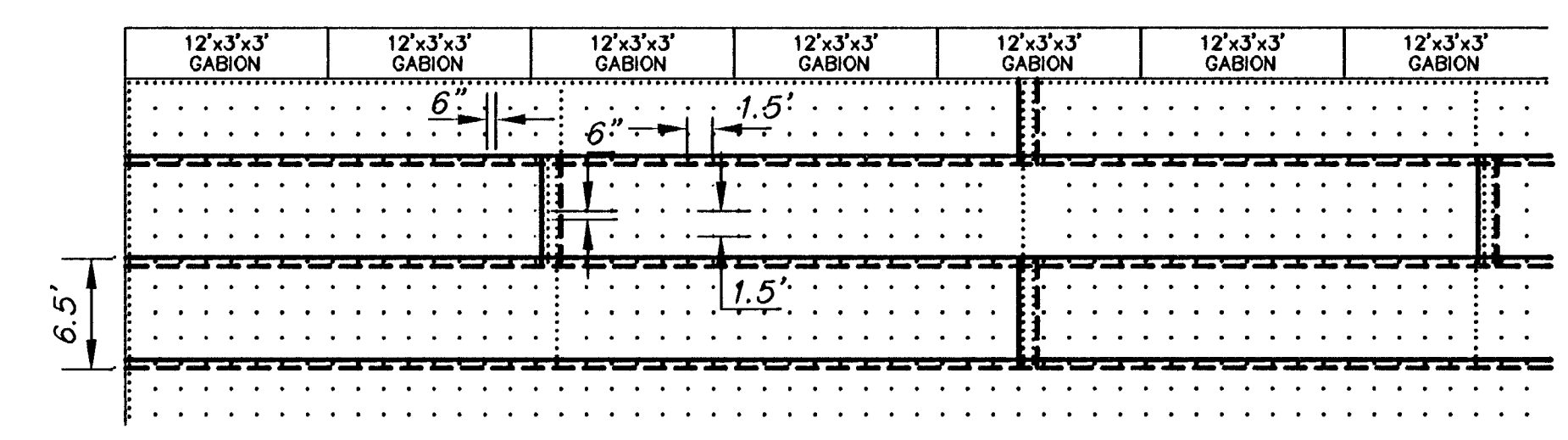
CONTRACTOR SHALL INSTALL NORTH AMERICAN GREEN C-350 OR EQUAL AFTER SEEDING PER MANUFACTURER'S SPECIFICATIONS, WITH "D" STAPLE PATTERN (3.5 STAPLES/S.Y.). EROSION MAT SHALL EXTEND FROM GABION WALL UP SIDESLOPE. EROSION MAT SHALL BE LAID IN THE DIRECTION OF FLOW, WITH THE FIRST COURSE AT THE TOP OF GABIONS. THE BLANKET SHALL BE IN CONTACT WITH THE SOIL. ALL EDGES SHALL BE TRENCHED. THE CONTRACTOR SHALL REQUEST A MANUFACTURER'S TECHNICAL REPRESENTATIVE BE ON SITE DURING INSTALLATION TO APPROVE INSTALLATION PROCEDURES.

1. LONGITUDINAL LAP JOINTS: THE ADJACENT EDGES OF THE BLANKET SHOULD OVERLAP A MINIMUM OF 6 INCHES, WITH STAPLE CATCHING TOP EDGE @ 1'-6" SPACING.
2. SPLICE JOINT: WHEN SPLICES ARE NECESSARY, OVERLAP END A MINIMUM OF 12 INCHES IN DIRECTION OF WATER FLOW. STAGGER SPLICE SEAMS. (DOUBLE STAPLE SPLICE JOINT @ 6" SPACING).
3. CHECK TIE DOWNS: ESTABLISH CHECK TIE DOWNS TRANSVERSE TO SLOPE AT 1/2 ROLL. (STAPLES @ 6" SPACING).
4. EDGE ANCHOR: LAY OUTSIDE EDGE OF BLANKET INTO TRENCH AT TOP OF SIDE SLOPE. STAPLE AT 1 1/2 FOOT INTERVALS ALONG TRENCH.
5. ANCHOR/TERMINALS FOLD: THE BLANKET SHOULD BE FOLDED UNDER, BURIED AND SECURED WITH STAPLES PLACED 6 INCHES APART. THE TOP EDGE OF THE BLANKET SHOULD BE BURIED IN A SLOT, 6" WIDE X 12" DEEP; STAKED IN THE BOTTOM OF THE SLOT, BACK-FILLED AND THE BLANKET FOLDED OVER THE TOP AS SHOWN IN DETAIL.

UPSTREAM

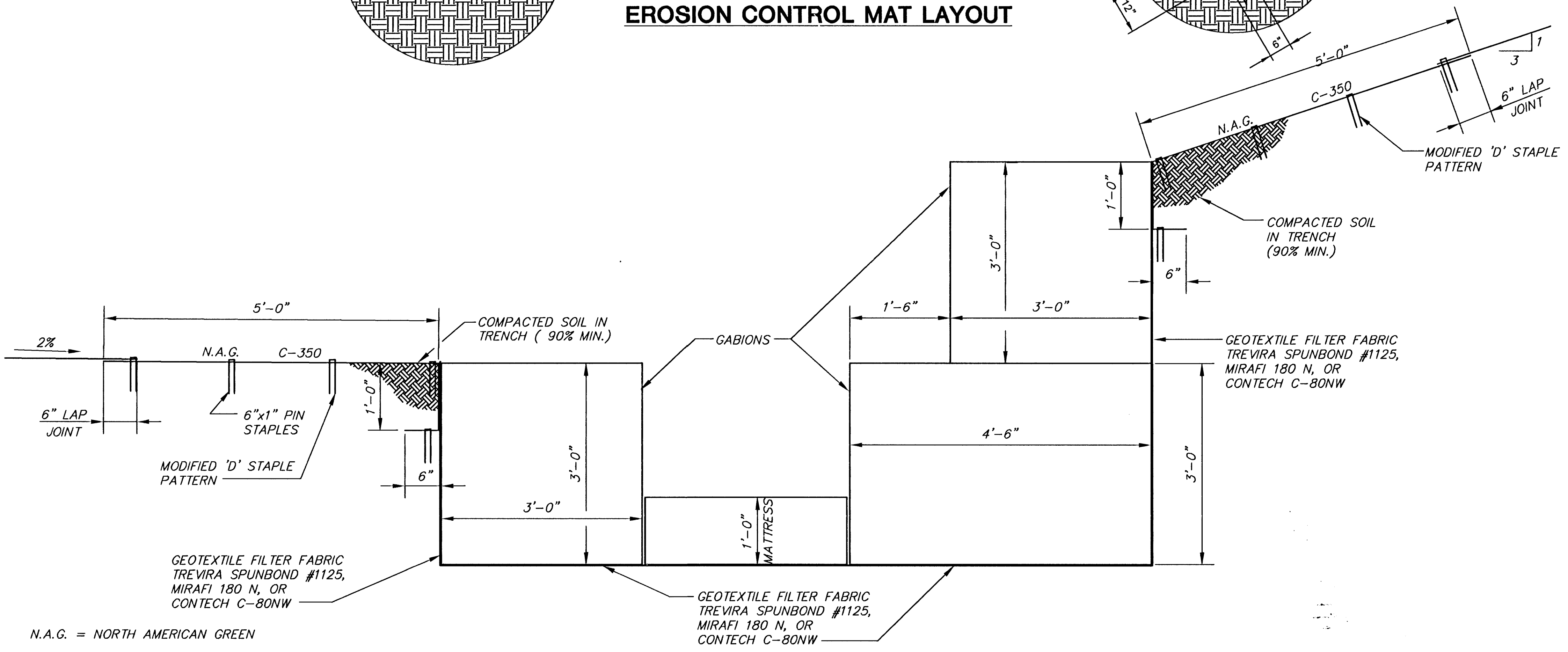
DOWNSTREAM

**EROSION CONTROL MAT LAYOUT**

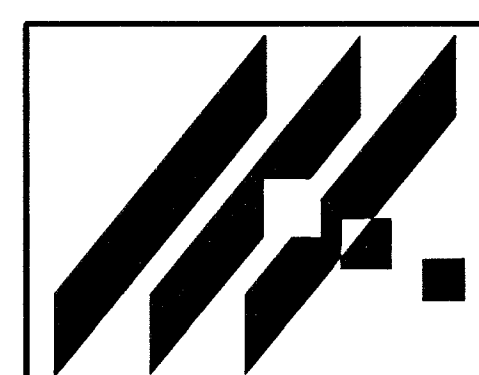


**TYPICAL STAPLE PATTERN**

NOT TO SCALE



N.A.G. = NORTH AMERICAN GREEN



**AREA "K" PART 2 - PHASE 1**  
**WICHITA DRAINAGE CANAL**  
PROJECT NAME

**EROSION CONTROL MAT DETAILS**  
SHEET TITLE

MID-KANSAS ENGINEERING CONSULTANTS, INC.  
411 N. WEBB ROAD  
WICHITA, KS. 67206  
316-684-9600

JNJ DESIGN BY.	MLW DRAWN BY.	JNJ CHECKED BY.
FEBRUARY 1999 DATE	194011 JOB NO.	25 / 64 SHEET OF

G:\CIVIL\AREA\_K\94011\DETAILS\94011LS.DWG 2-3-99 11:43:24 am EST