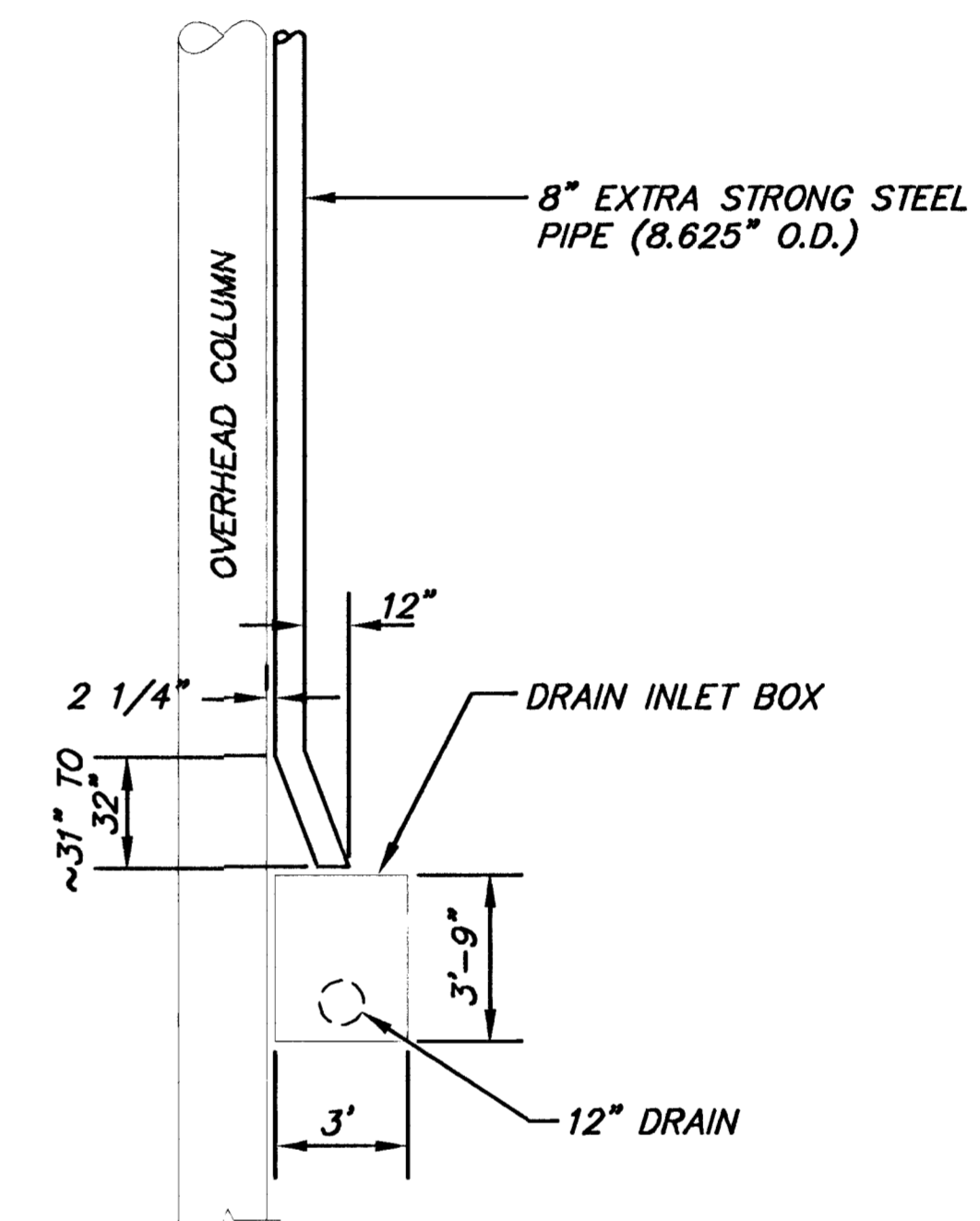


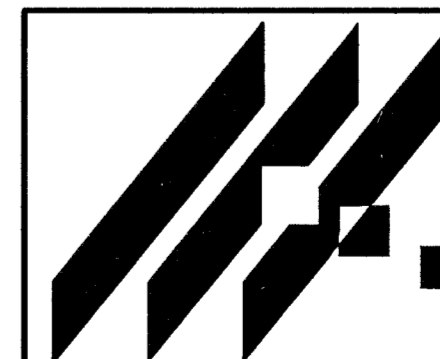
OVERHEAD DRAIN MODIFICATIONS

SCALE: 1/4" = 1'-0"



EXISTING SYSTEM SCHEMATIC

SCALE: 1/4" = 1'-0"



MID-KANSAS ENGINEERING CONSULTANTS, INC.
411 N. WEBB ROAD
WICHITA, KS. 67206
316-684-9600

AREA "K" PART 2 - PHASE 1
PROJECT NAME

OVERHEAD DRAIN DETAILS
SHEET TITLE

JNJ DESIGN BY:	MLW DRAWN BY:	JNJ CHECKED BY:
OCTOBER 1998 DATE	94011 JOB NO.	26 / 64 SHEET/OF