

PLOTTED: Friday, August 30, 2019 @ 03:10PM
 J:\CIVIL\04770\0662\177_TITLESHEET.DWG

INDEX TO DRAWINGS

SHEET NO.	DESCRIPTION
1	TITLE SHEET
2	GENERAL NOTES & KEY MAP
3-4	TYPICAL SECTIONS
5-13	PAVING PLANS
14-16	PAVING BUBBLE MAPS
17	STORM SEWER KEY MAP
18	STORM SEWER SUMMARY
19-41	STORM SEWER PLAN AND PROFILES
42-44	STORM SEWER BUBBLE MAPS
45-67	PAVING DETAILS AND INTERSECTION PLANS
68-84	STORM SEWER DETAILS
85	MISCELLANEOUS DETAILS
86	SANITARY SEWER AND WATER KEY MAP
87-89	SANITARY SEWER PLAN AND PROFILES
90-91	SANITARY SEWER DETAILS
92-93	SANITARY SEWER BUBBLE MAPS
94-102	WATER PLAN AND PROFILES
103-105	WATER DETAILS
106-108	WATER BUBBLE MAPS
109-111	SUMMARY OF QUANTITIES
112-113	EROSION CONTROL PLAN
114-118	EROSION CONTROL DETAILS
119-120	ROADSIDE IMPROVEMENT PLAN
121-134	PLAZA PLANS AND DETAILS
135-142	TRAFFIC SIGNAL PLANS AND DETAILS
143-145	PAVEMENT MARKING PLANS AND DETAILS
146-148	SIGNING PLAN AND DETAILS
149-150	CONSTRUCTION SEQUENCE SUMMARY
151-168	TRAFFIC CONTROL
169-170	DRAINAGE MAP
171-194	PAVING CROSS SECTIONS

STATE OF KANSAS
DEPARTMENT OF TRANSPORTATION
PLAN AND PROFILE OF PROPOSED

17TH STREET NORTH
FROM BROADWAY TO I-135

FEDERAL AID PROJECT

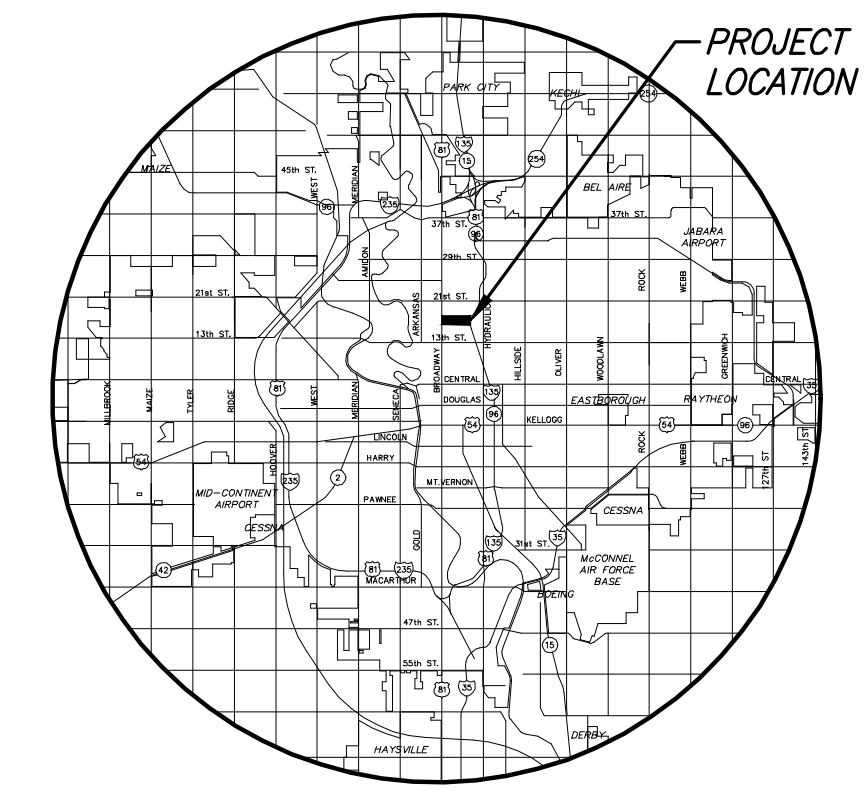
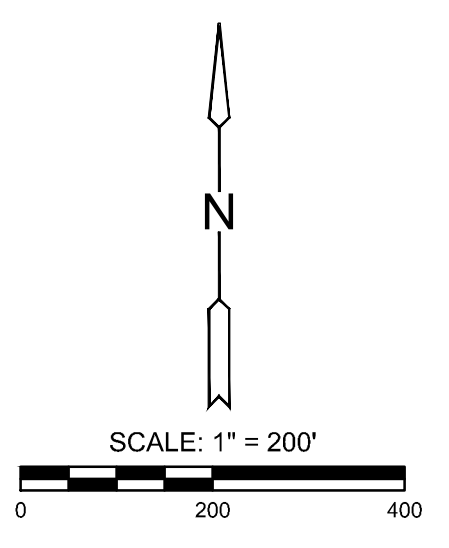
CITY OF WICHITA PROJECT NO. 472-84014 (PAVING)
CITY OF WICHITA OCA NO. 706903 (PAVING)
CITY OF WICHITA PROJECT NO. 448-90078 (WATER)
CITY OF WICHITA OCA NO. 637302 (WATER)
CITY OF WICHITA PROJECT NO. 468-85229 (SANITARY)
CITY OF WICHITA OCA NO. 622513 (SANITARY)

SEDGWICK COUNTY
CITY OF WICHITA

STATE	PROJECT NO.	YEAR	SHEET NO.	TOTAL SHEETS
KANSAS	87 N-0662-01	2019	1	194

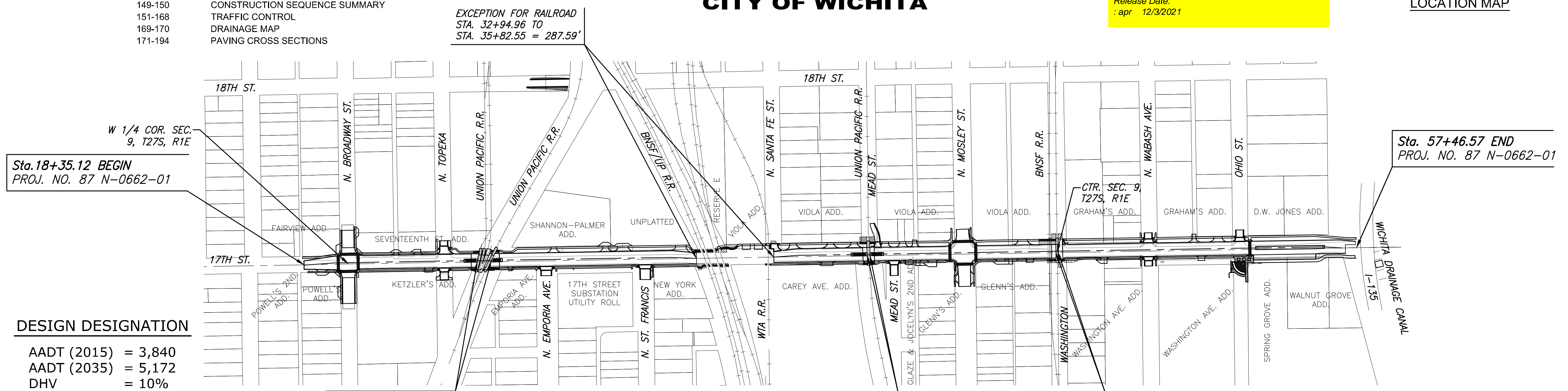
KDOT PROJ. NO. 87 N-0662-01
F.A. NO. STP-N-066(201)

GRADING
SURFACING
STORM SEWER
PAVEMENT MARKING
SEEDING



Wildcat Construction - Contractor
 G. Baalman - City of Wichita, Field Project Engineer
 T. Dvorak - City of Wichita, Inspector
 As-built
 Release Date:
 : apr 12/3/2021

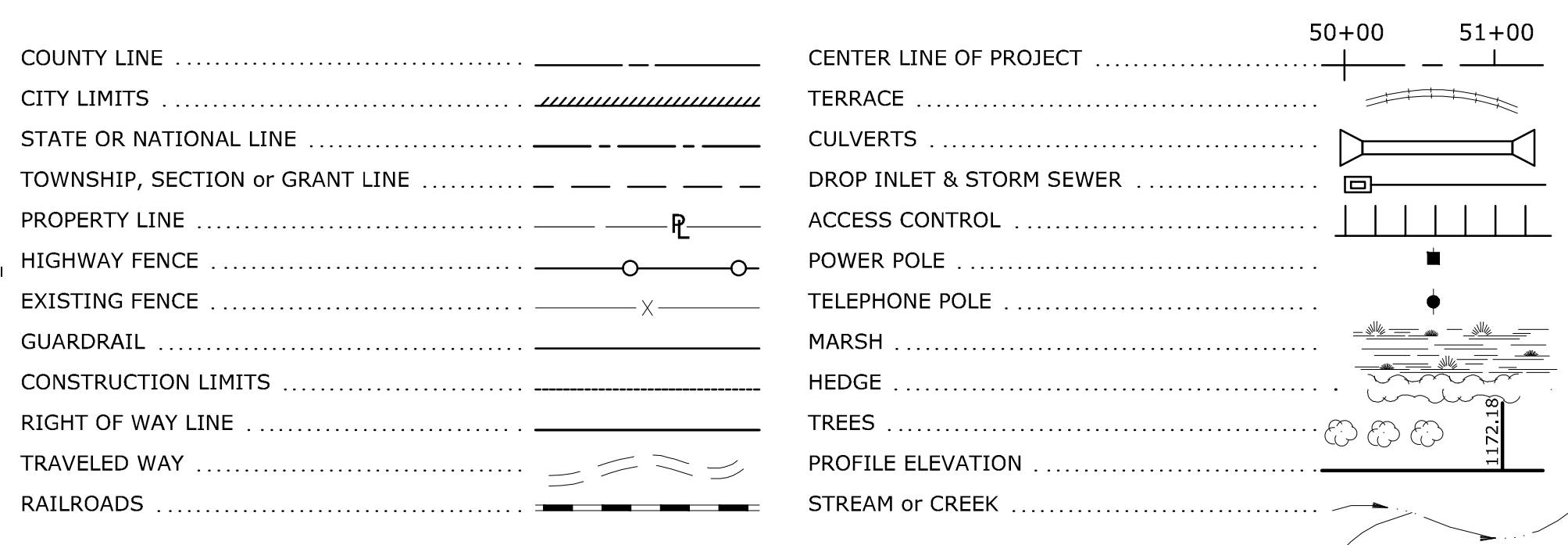
STREET IMPROVEMENTS FOR
17TH ST - BROADWAY TO I-135
 FROM BROADWAY TO I-135



DESIGN DESIGNATION

AADT (2015) = 3,840
 AADT (2035) = 5,172
 DHV = 10%
 D = 60%
 T = 10%
 V = 30 MPH
 C of A = None
 Lateral Offset = 2 FT.

CONVENTIONAL SIGNS

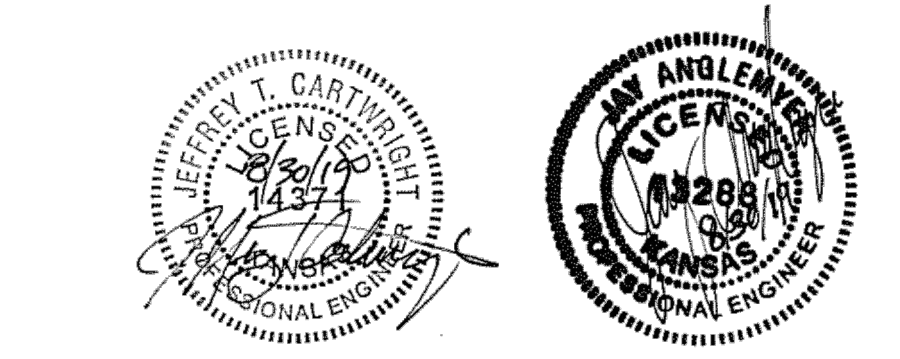


GROSS LENGTH OF PROJECT	3,911.45 FT.
EXCEPTIONS	358.79 FT.
ADDITIONS	0.00 FT.
NET LENGTH OF PROJECT	3,552.66 FT. 0.673 MILES
NET LENGTH OF BRIDGES	0.00 FT. 0.000 MILES
NET LENGTH OF ROAD	3,552.66 FT. 0.673 MILES

LEGEND

— UGT (ATT) —	— AT&T (Buried)	— DHE —	— Westar (Overhead)
— DHT (ATT) —	— AT&T (overhead)	— UGE —	— Westar (Buried)
— UG (CDX) —	— Cox	— G (KGS) —	— Kansas Gas Service
— UG (ZAYD) —	— Zayo	— G (BH) —	— Black Hills
— VzW1 —	— Verizon Wireless (Williams/MCI)	— Storm or sanitary sewer as labeled	
— VzW2 —	— Verizon Wireless (KNet/AllTel)	— W —	— Water

Note:
 Road will be closed to through traffic during construction. Local traffic will be permitted to access adjacent properties.



APPROVED - DATE

GARY JANZEN, P.E.
CITY ENGINEER

©2019
 MKEC Engineering
 All Rights Reserved
 www.mkec.com
 These drawings and their contents, including, but not limited to, all concepts, designs, & ideas are the exclusive property of MKEC Engineering (MKEC), and may not be used or reproduced in any way without the express consent of MKEC.

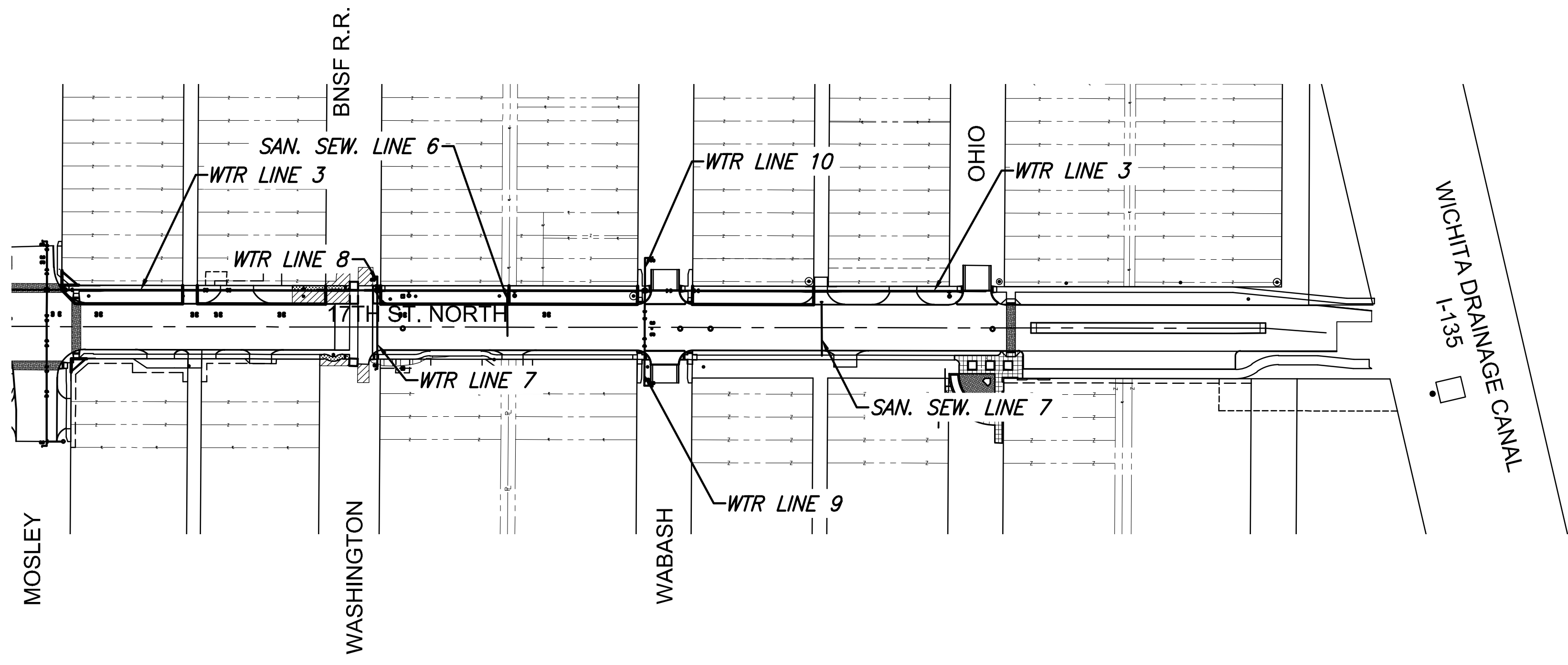
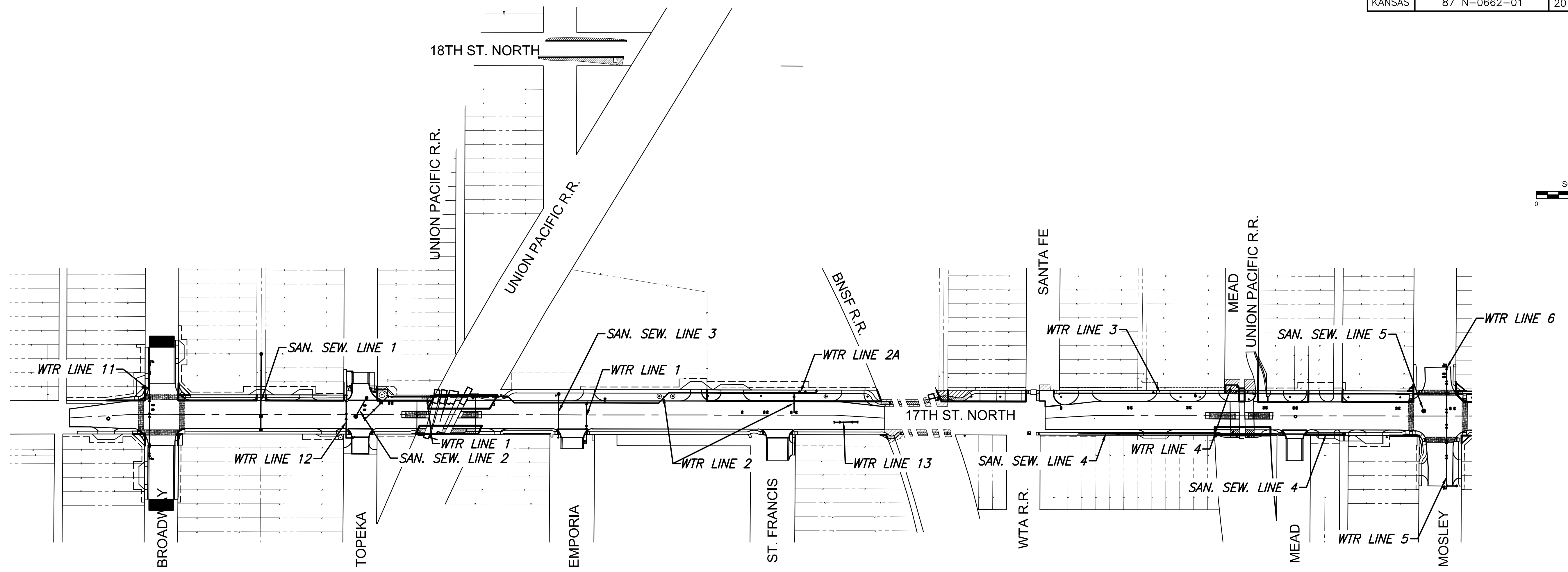
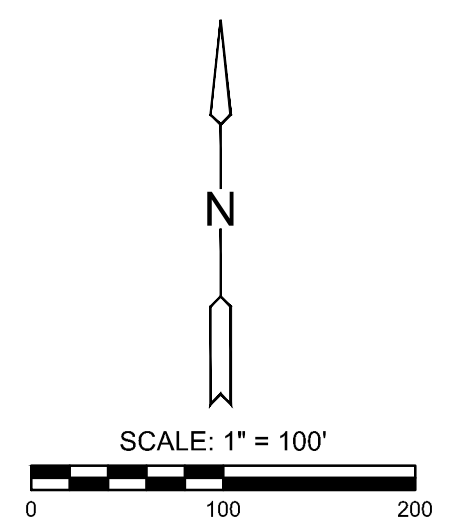
TITLE SHEET

PROJECT NO.	87 N-0662-01	
DATE	8/30/2019	
SCALE	AS SHOWN	
DESIGNED	DRAWN	CHECKED
GN	RAM	JRA
NO.	REVISION	DATE
SHEET NO.	1 OF 194	

PLOTTED: Tuesday, September 03, 2019 @ 03:05PM

J:\CIVIL\0417\DWG\SW\0417\0402.DWG

STATE	PROJECT NO.	YEAR	SHEET NO.	TOTAL SHEETS
KANSAS	87 N-0662-01	2019	86	194



SANITARY SEWER INFORMATION TABLE

LINE NO.	SHEET NO.
SAN LINE 1	87
SAN LINE 2	87
SAN LINE 3	87
SAN LINE 4	88
SAN LINE 5	88
SAN LINE 6	89
SAN LINE 7	89

WATER LINE INFORMATION TABLE

LINE NO.	SHEET NO.
WTR LINE 1	94
WTR LINE 2 & 2A	95
WTR LINE 3	96, 97, 98, 99
WTR LINE 4	99
WTR LINE 5	99
WTR LINE 6	100
WTR LINE 7	100
WTR LINE 8	100
WTR LINE 9	101
WTR LINE 10	101
WTR LINE 11	101
WTR LINE 12	102
WTR LINE 13	102

STREET IMPROVEMENTS FOR
17TH ST - BROADWAY TO I-135
 FROM BROADWAY TO I-135

©2019 MKEC Engineering All Rights Reserved www.mkec.com
 These drawings and their contents, including, but not limited to, all concepts, designs, & ideas are the exclusive property of MKEC Engineering (MKEC), and may not be used or reproduced in any way without the express consent of MKEC.

UTILITY KEY MAP - WTR. & SAN.

PROJECT NO.	87 N-0662-01	
DATE	8/30/2019	
SCALE	1"=100'	
DESIGNED	DRAWN	CHECKED
JRA	RAM	JRA

NO.	REVISION	DATE

SHEET NO.
 86 OF 194

STATE	PROJECT NO.	YEAR	SHEET NO.	TOTAL SHEETS
KANSAS	87 N-0662-01	2019	87	194

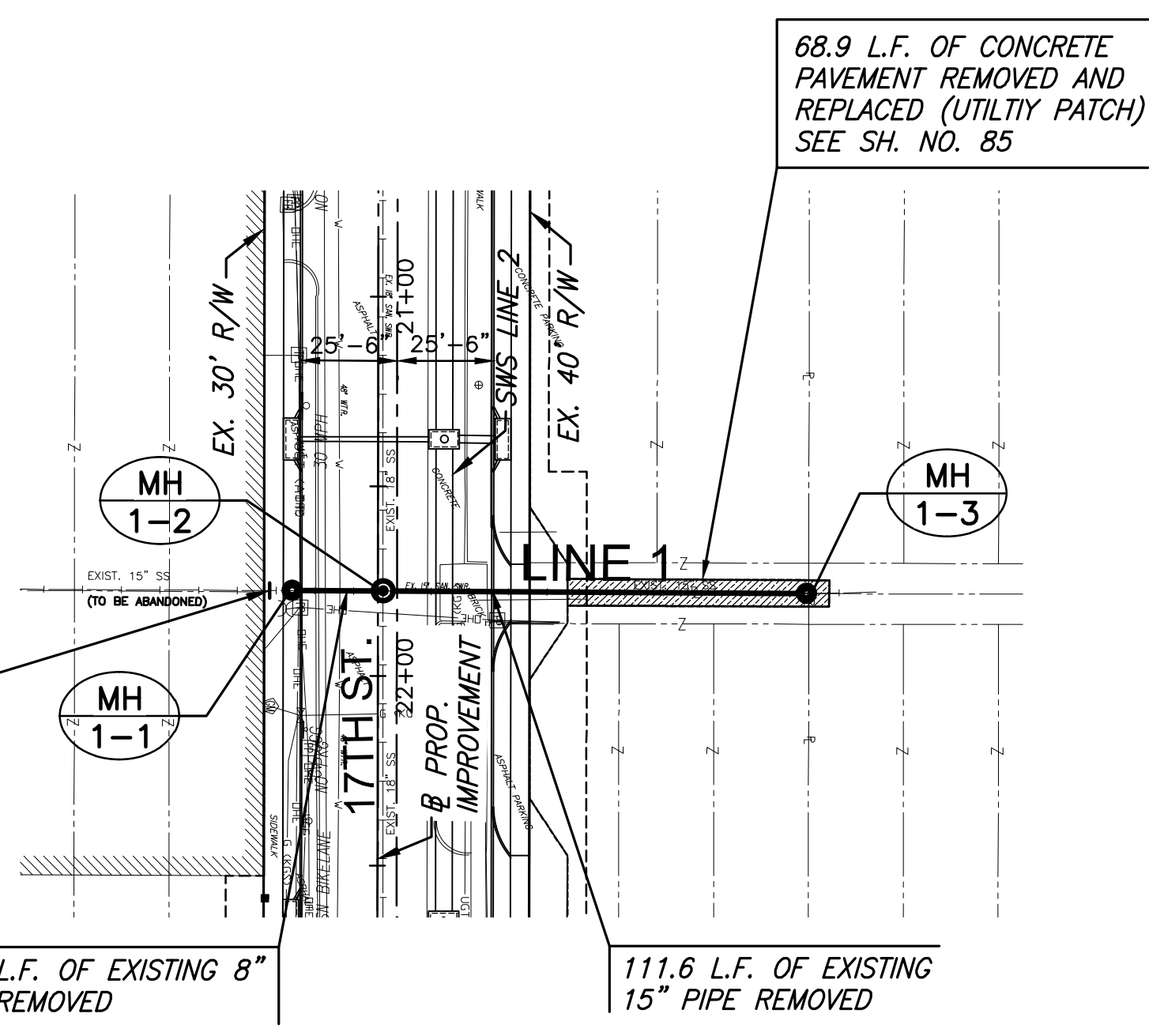


BUILT PER PLAN

PLOTTED: Tuesday, September 03, 2019 @ 03:07PM
 J:\CIVIL\1717\DWGS\SAN\17-135.DWG

NOTE:
REROUTE EXISTING SERVICE LINE TO CONNECT TO PROPOSED 8" SEWER LINE. LOCATION OF EXISTING SERVICE LINE IS NOT KNOWN.

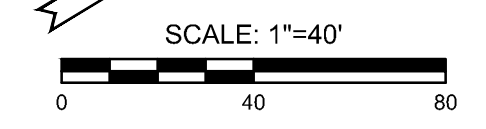
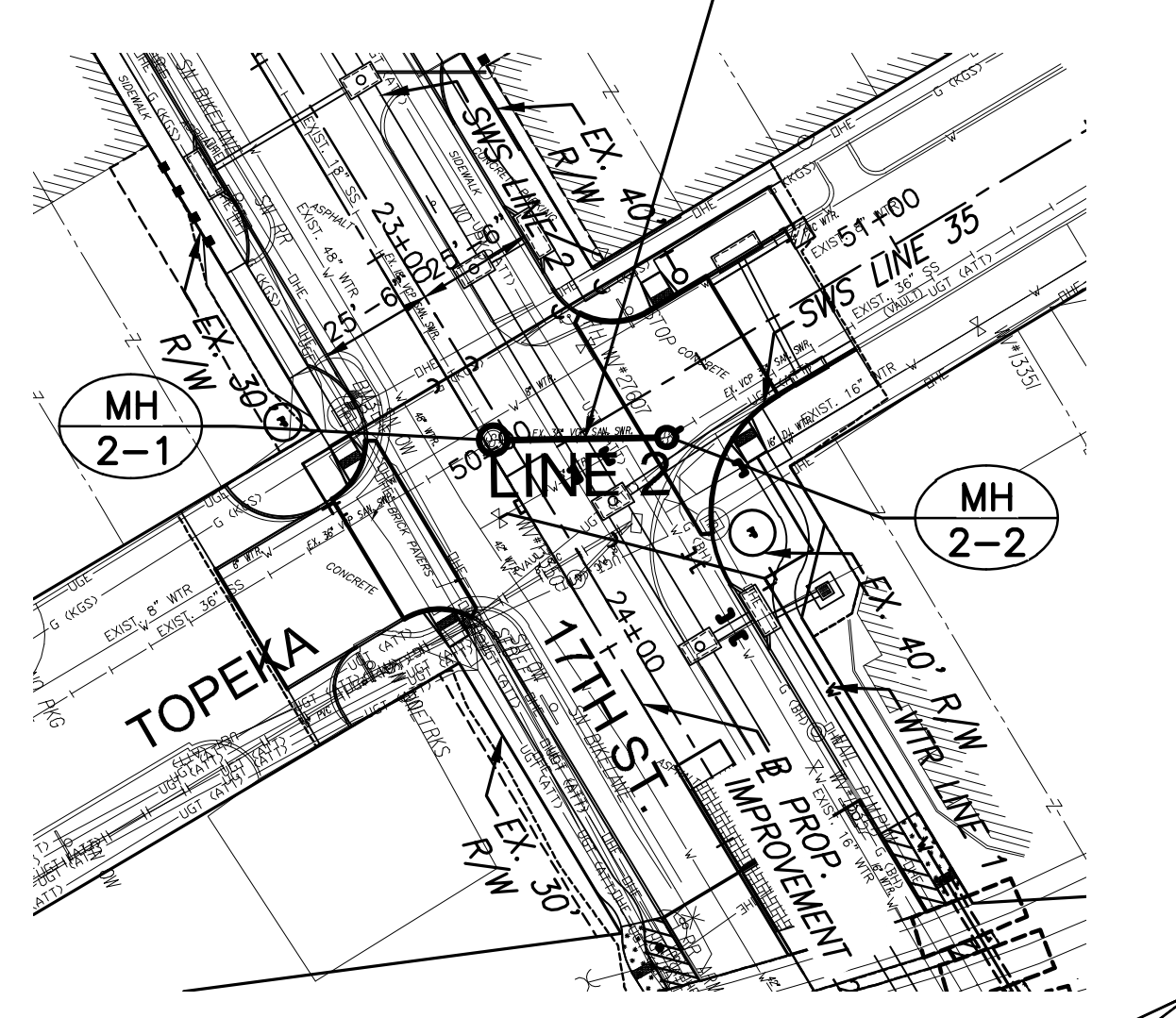
PLUG EXISTING 15" PIPE



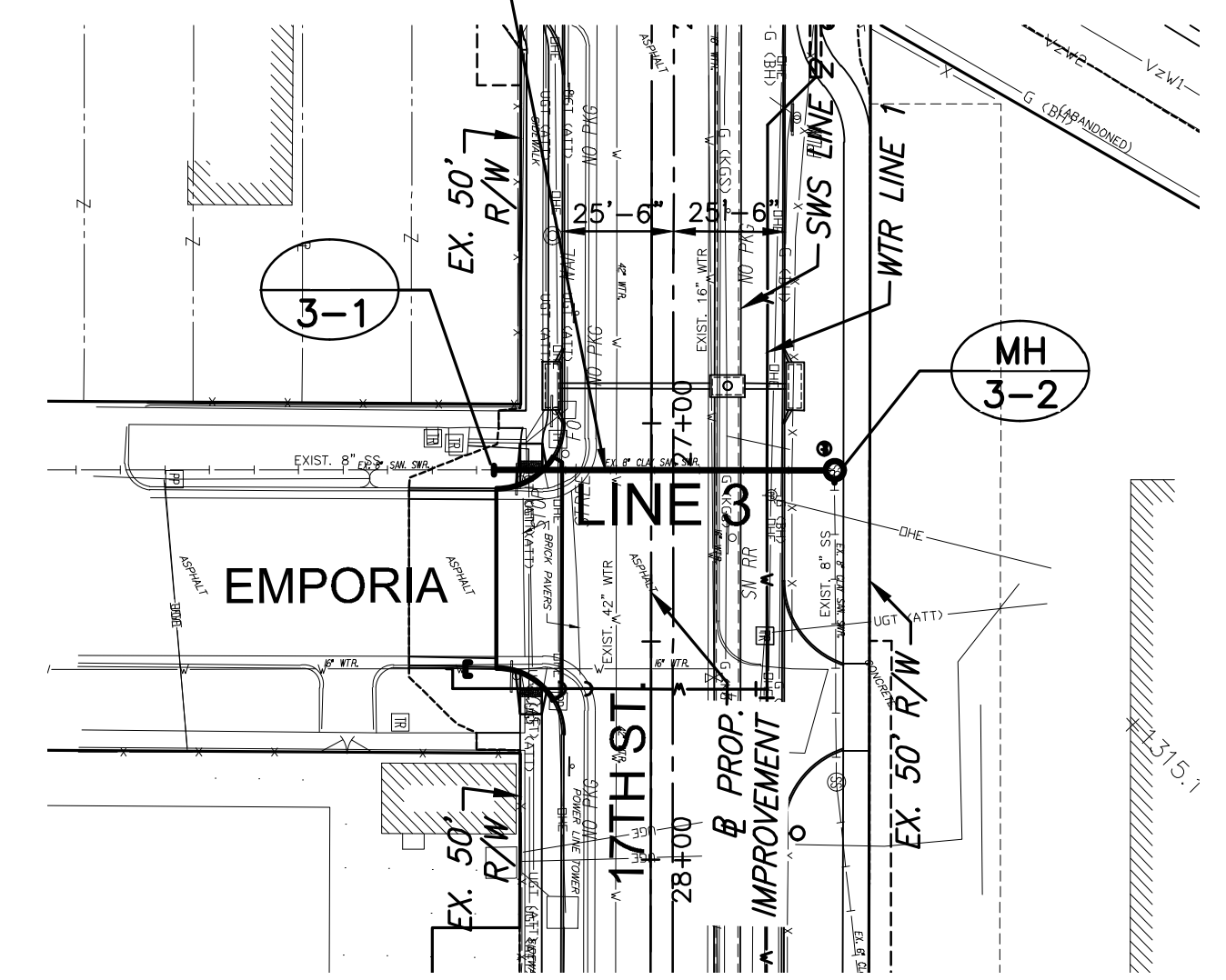
NOTE:
CONTRACTOR TO VERIFY THE DEPTH AND LOCATION OF EXISTING UTILITIES PRIOR TO CONSTRUCTION.



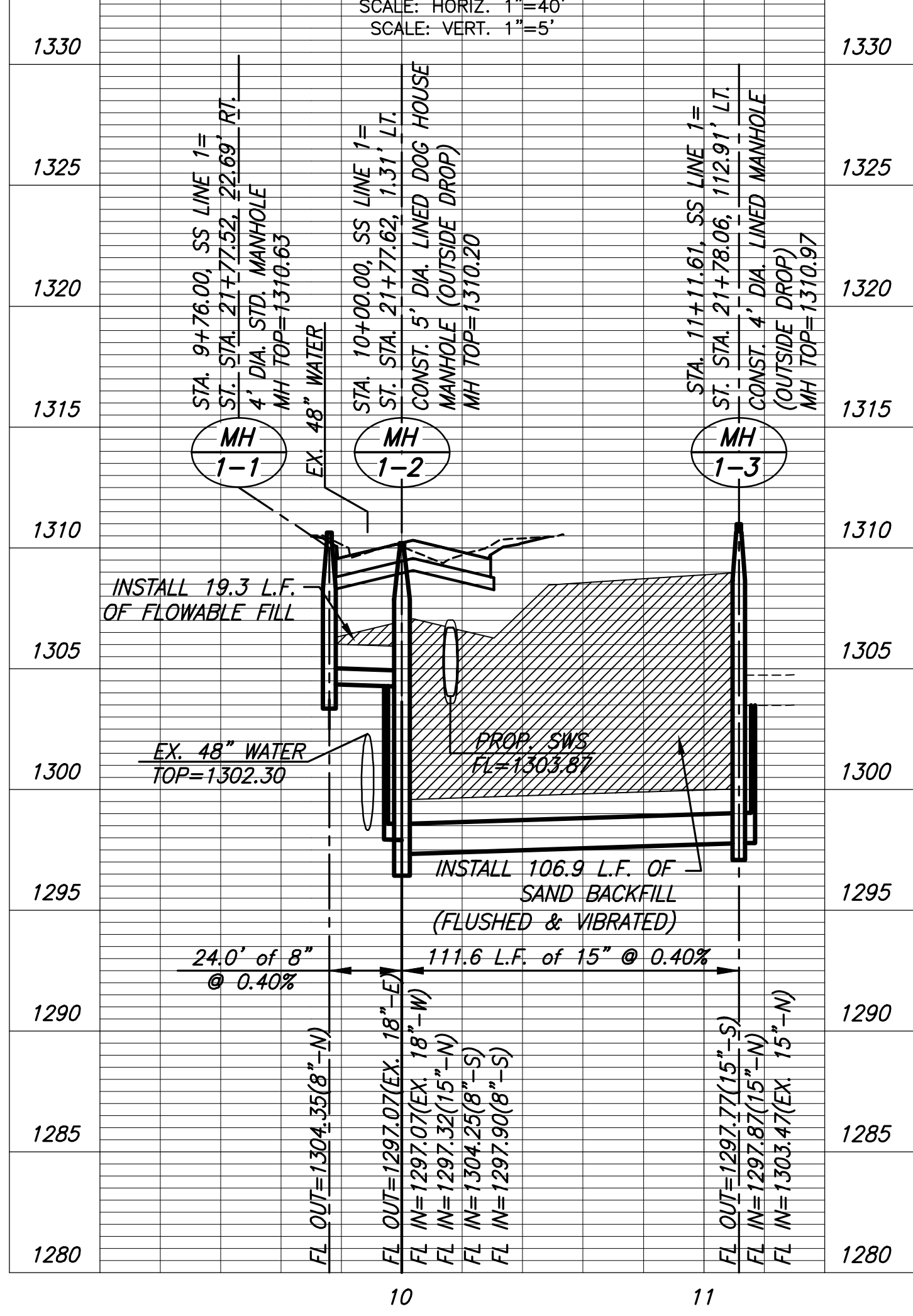
38.2 L.F. OF EXISTING 36" PIPE REMOVED



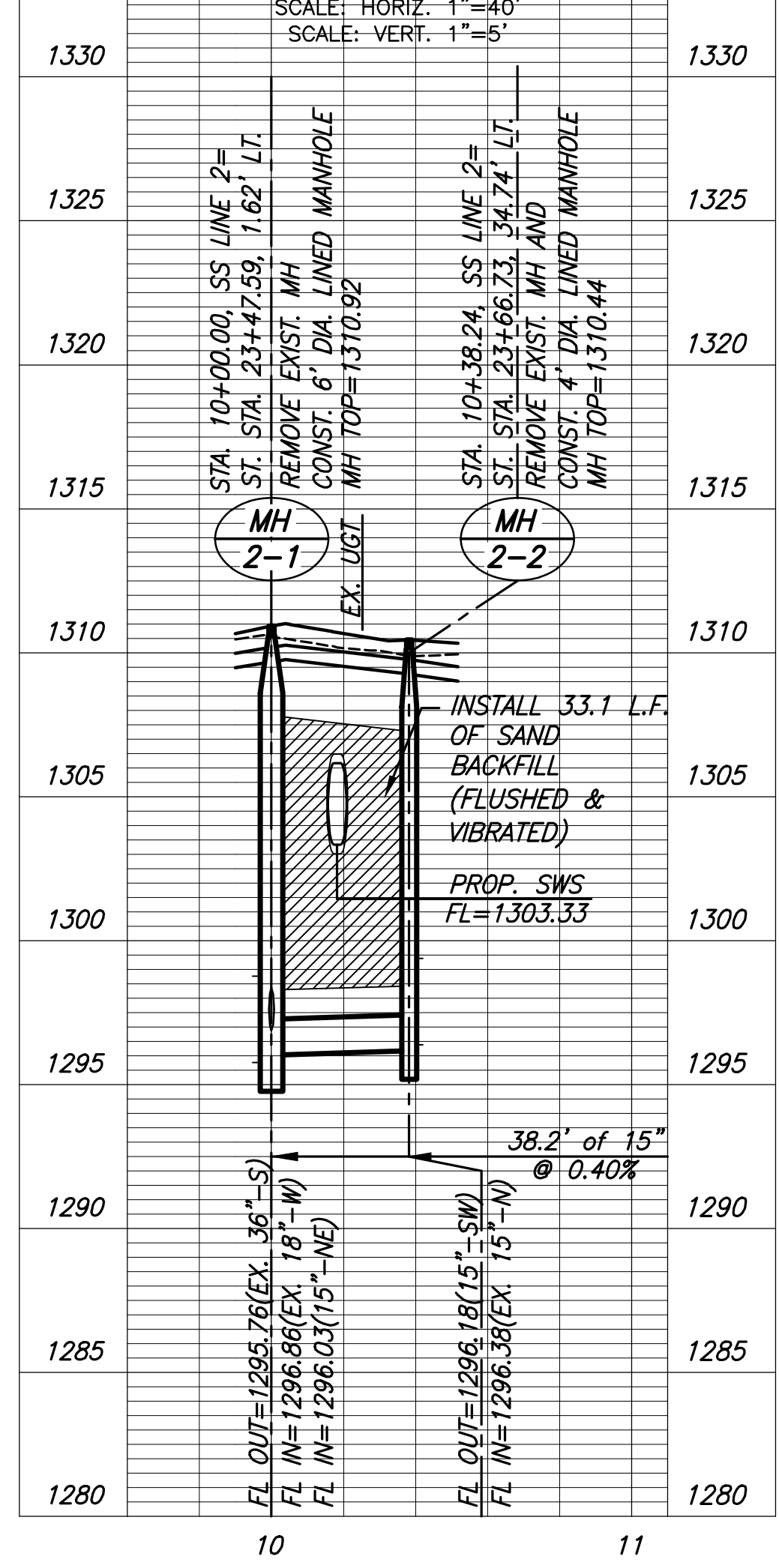
78.0 L.F. OF EXISTING 8" PIPE REMOVED



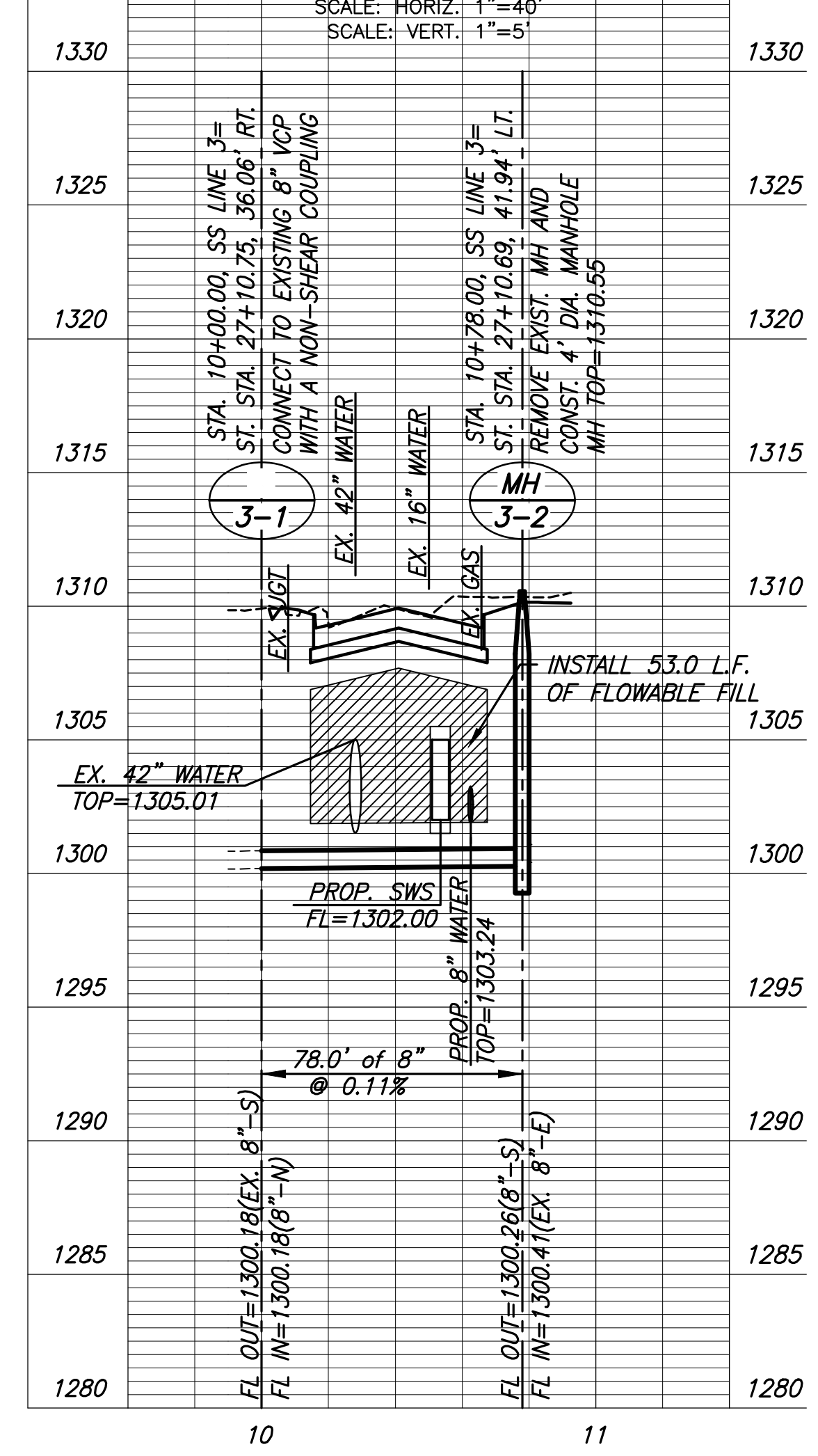
PLAN LINE 1
PROFILE LINE 1
SCALE: HORIZ. 1"=40'
SCALE: VERT. 1"=5'



PLAN LINE 2
PROFILE LINE 2
SCALE: HORIZ. 1"=40'
SCALE: VERT. 1"=5'



PLAN LINE 3
PROFILE LINE 3
SCALE: HORIZ. 1"=40'
SCALE: VERT. 1"=5'



STREET IMPROVEMENTS FOR
17TH ST - BROADWAY TO I-135
FROM BROADWAY TO I-135

©2019 MKEC Engineering All Rights Reserved
 These drawings and their contents, including, but not limited to, all concepts, designs, & ideas are the exclusive property of MKEC Engineering (MKEC), and may not be used or reproduced in any way without the express consent of MKEC.

SANITARY SEWER PLAN & PROFILE LINE 1, 2, & 3

PROJECT NO.	468-85229	
DATE	8/30/2019	
SCALE	1"=40'	
DESIGNED	DRAWN	CHECKED
JRA	WNJ	JRA

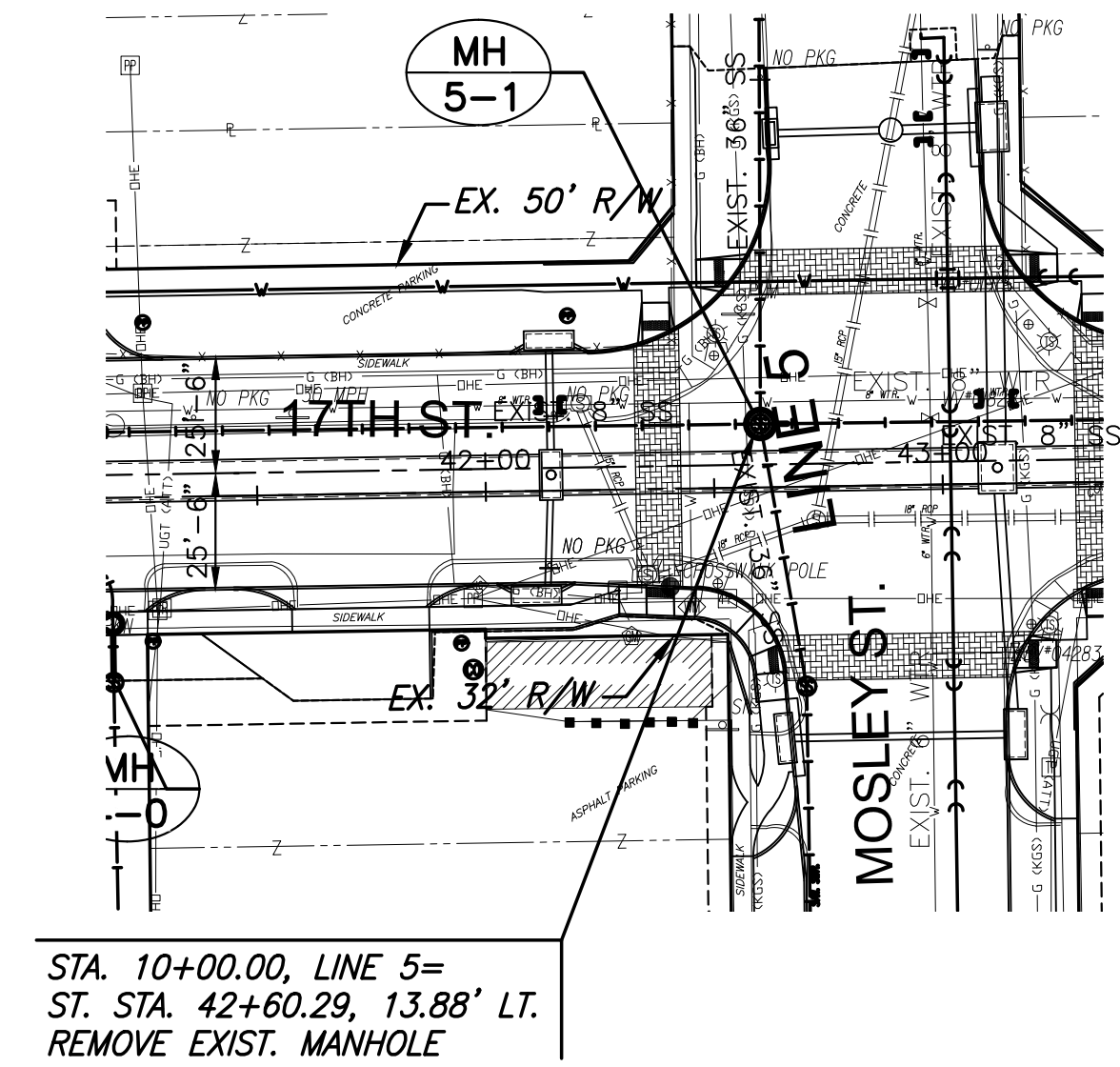
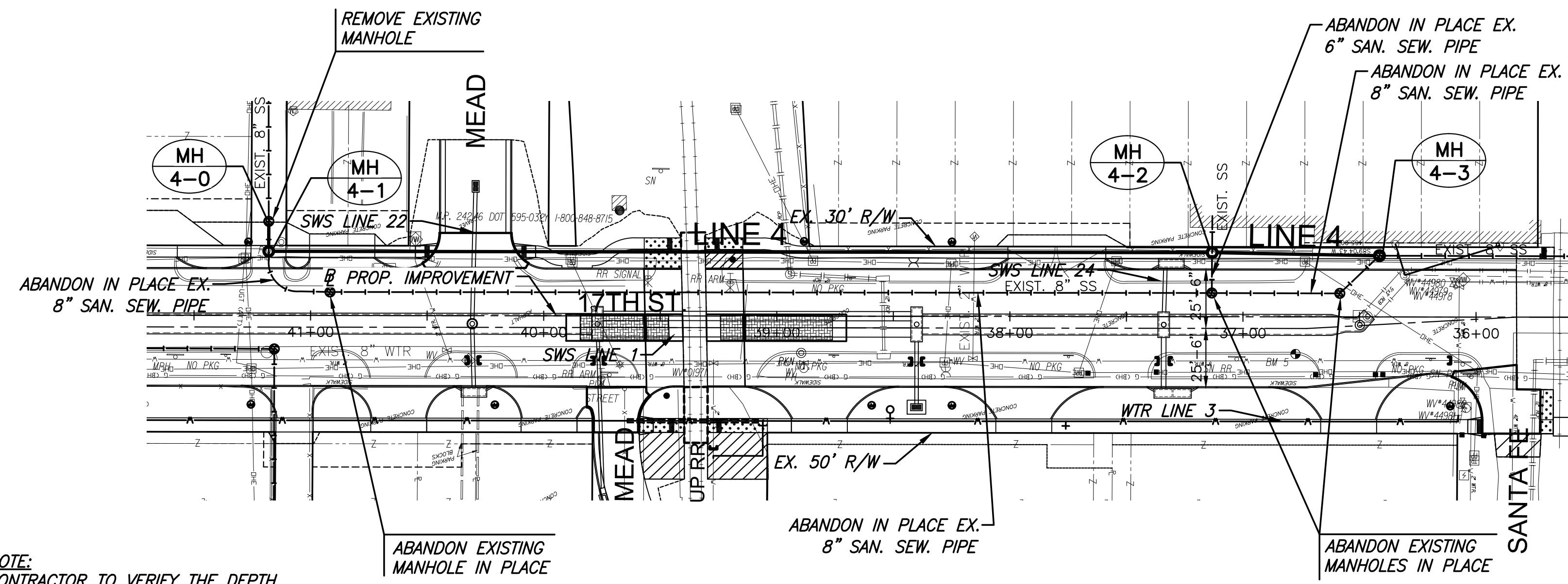
NO.	REVISION	DATE

SHEET NO. 87 OF 194

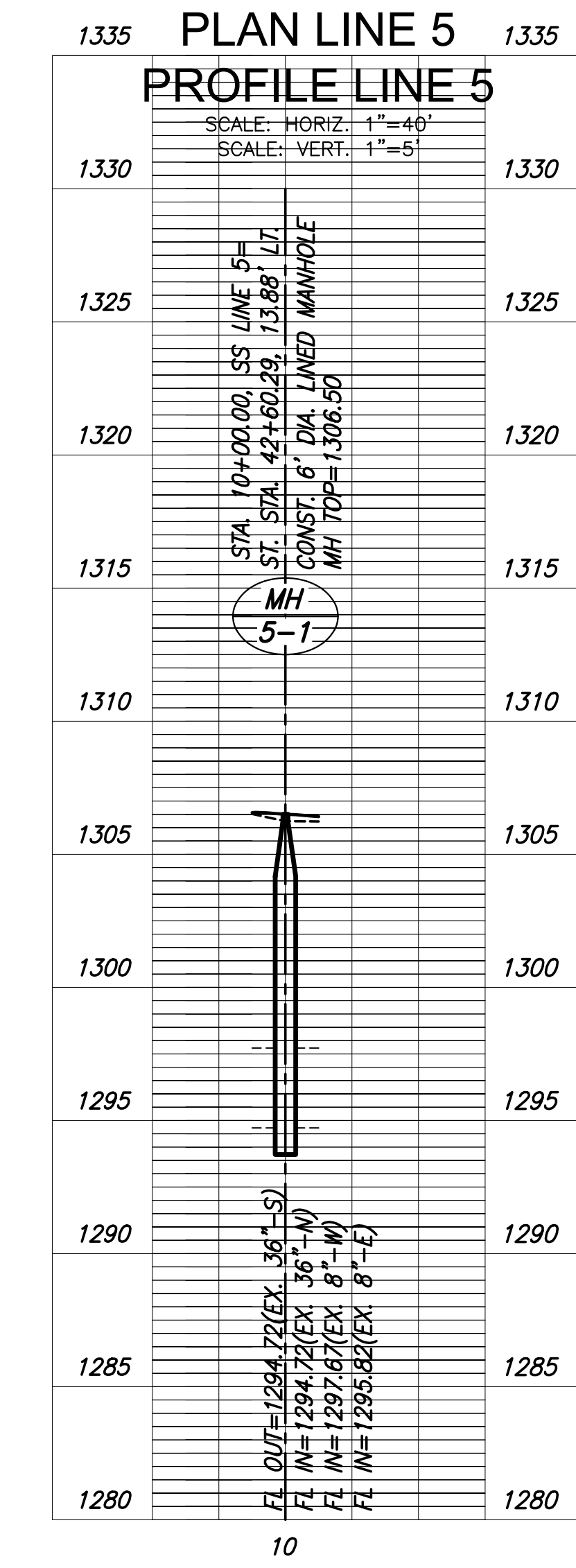
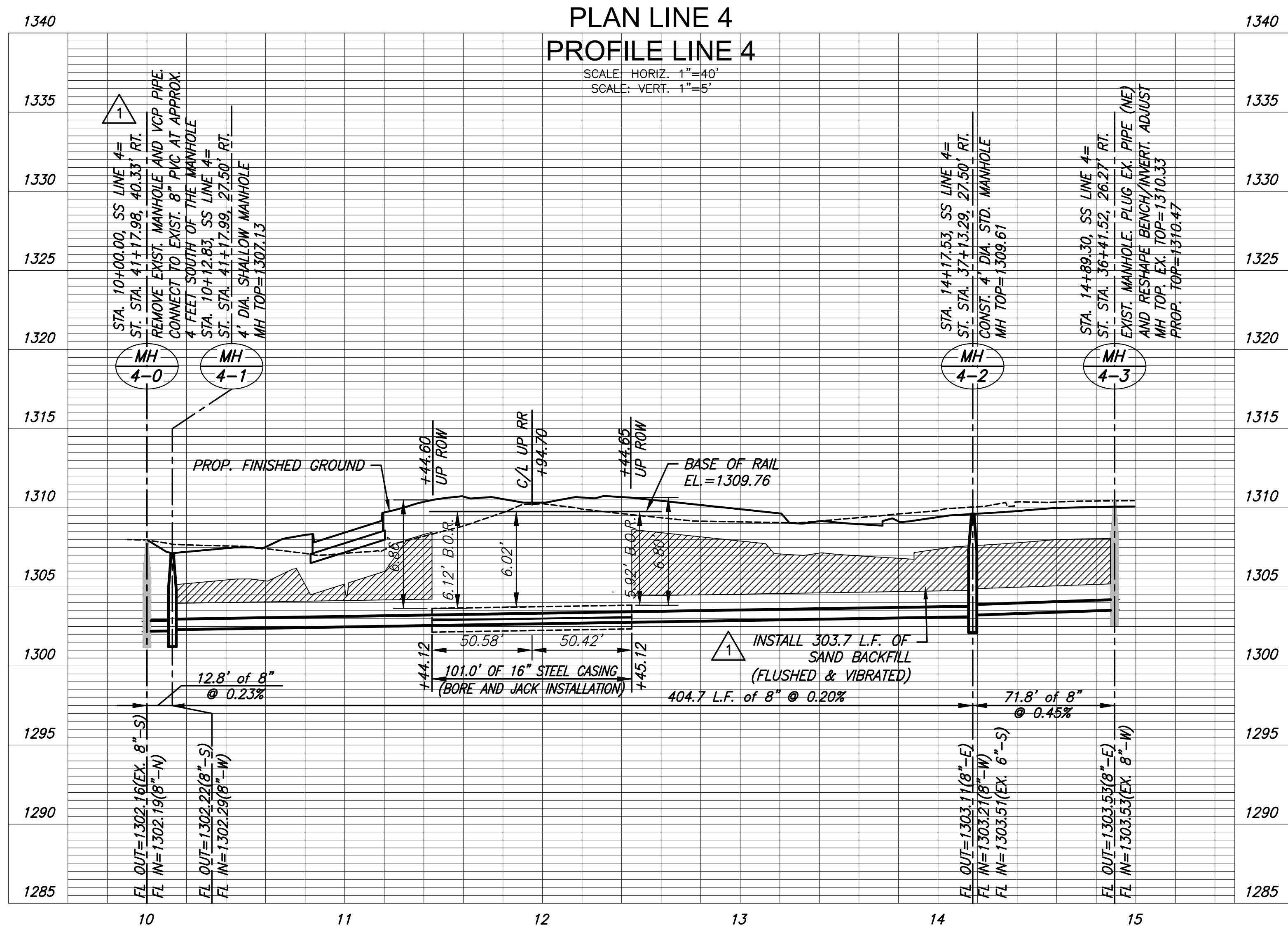
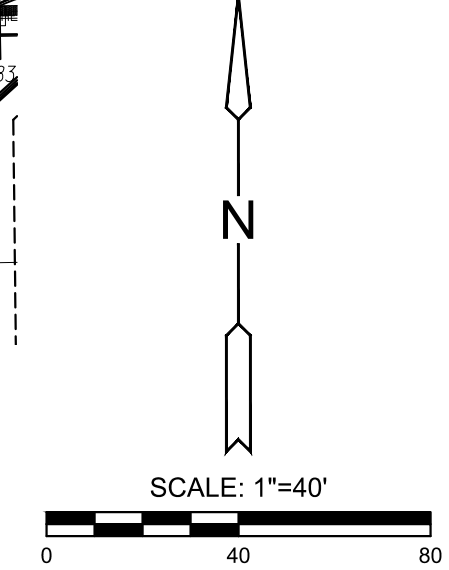
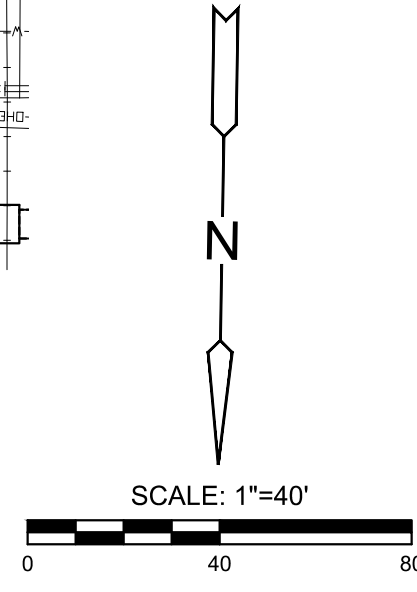
STATE	PROJECT NO.	YEAR	SHEET NO.	TOTAL SHEETS
KANSAS	87 N-0662-01	2019	88	194



BUILT PER PLAN



NOTE:
CONTRACTOR TO VERIFY THE DEPTH
AND LOCATION OF EXISTING UTILITIES
PRIOR TO CONSTRUCTION.



STREET IMPROVEMENTS FOR
17TH ST - BROADWAY TO I-135
FROM BROADWAY TO I-135

©2019
MKEC Engineering
All Rights Reserved
www.mkec.com
These drawings and their contents,
including, but not limited to, all concepts,
designs, & ideas are the exclusive
property of MKEC Engineering (MKEC),
and may not be used or reproduced in any
way without the express consent of MKEC.

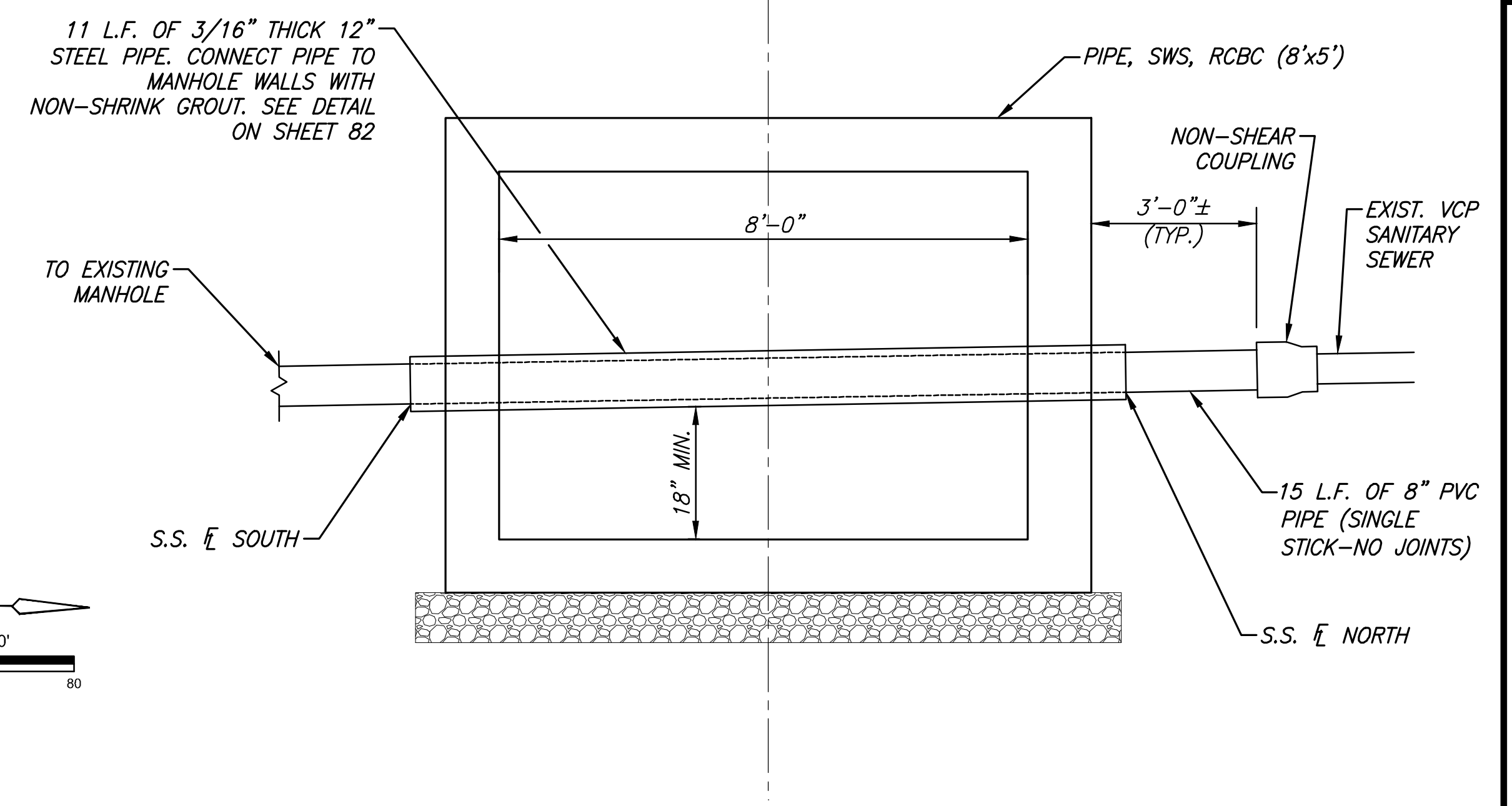
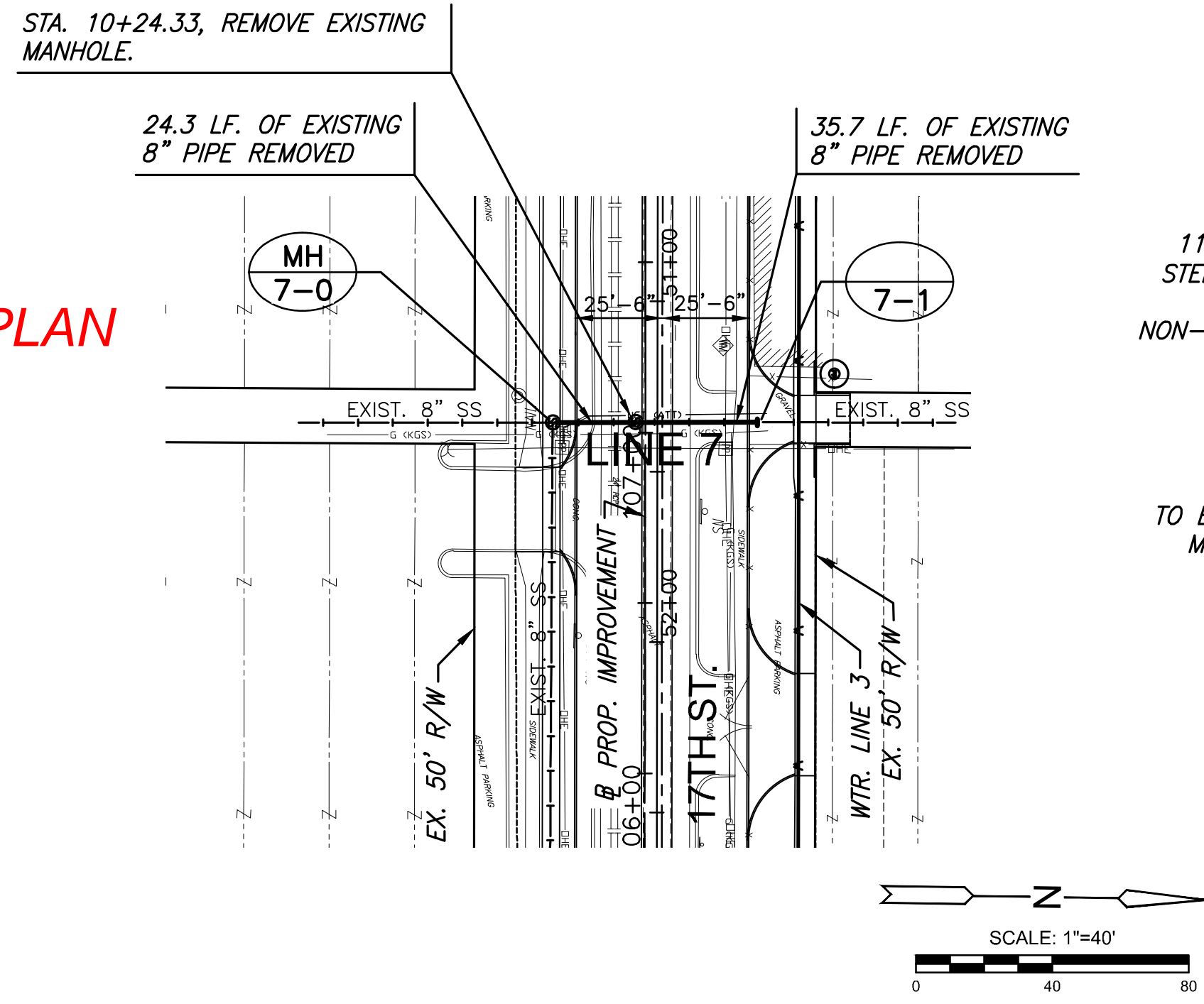
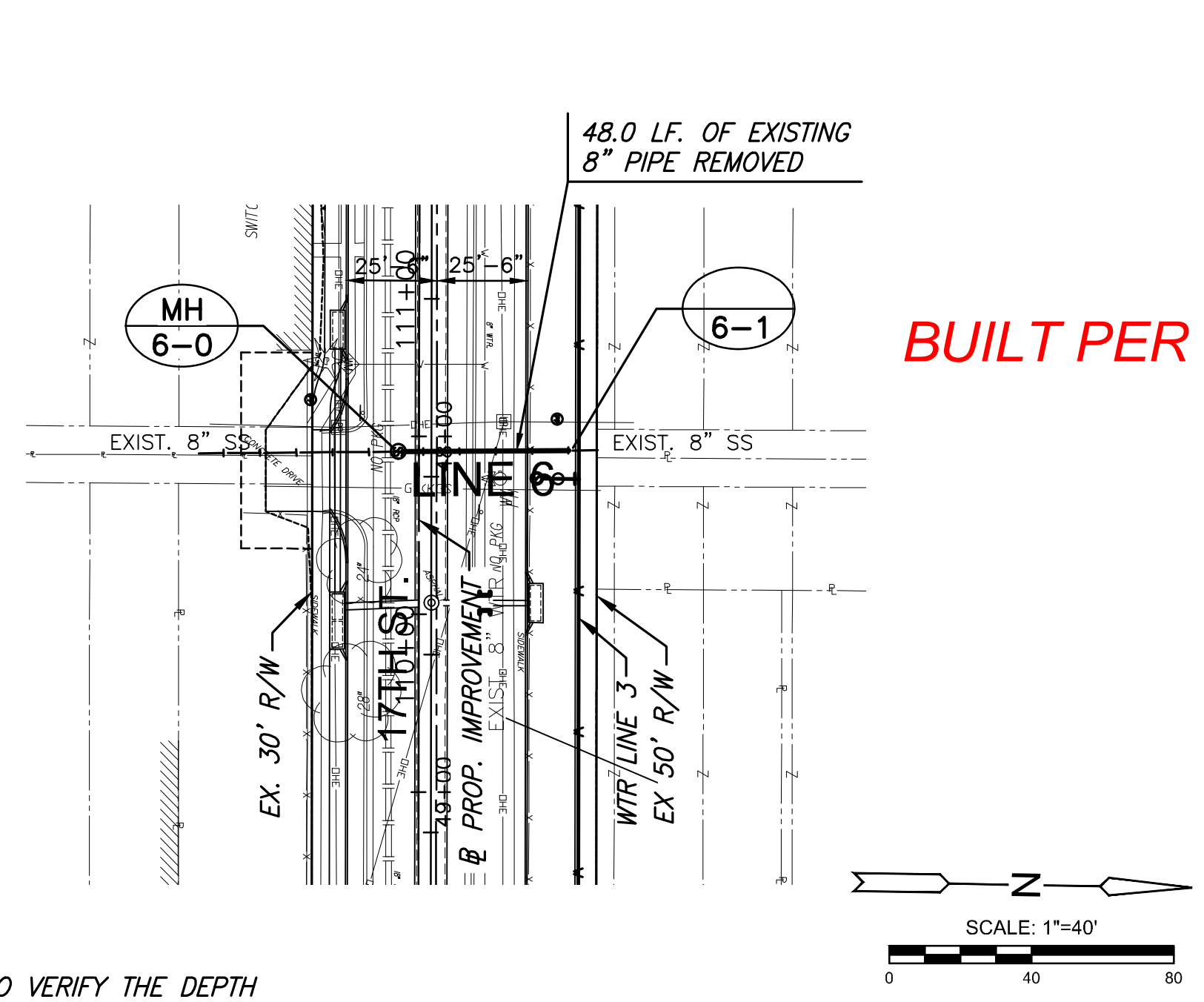
SANITARY SEWER
PLAN & PROFILE
LINE 4 & 5

PROJECT NO.	468-85229
DATE	8/30/2019
SCALE	1"=40'
DESIGNED	JRA
DRAWN	WNJ
CHECKED	JRA

NO.	REVISION	DATE

SHEET NO.
88 OF 194

STATE	PROJECT NO.	YEAR	SHEET NO.	TOTAL SHEETS
KANSAS	87 N-0662-01	2019	89	194



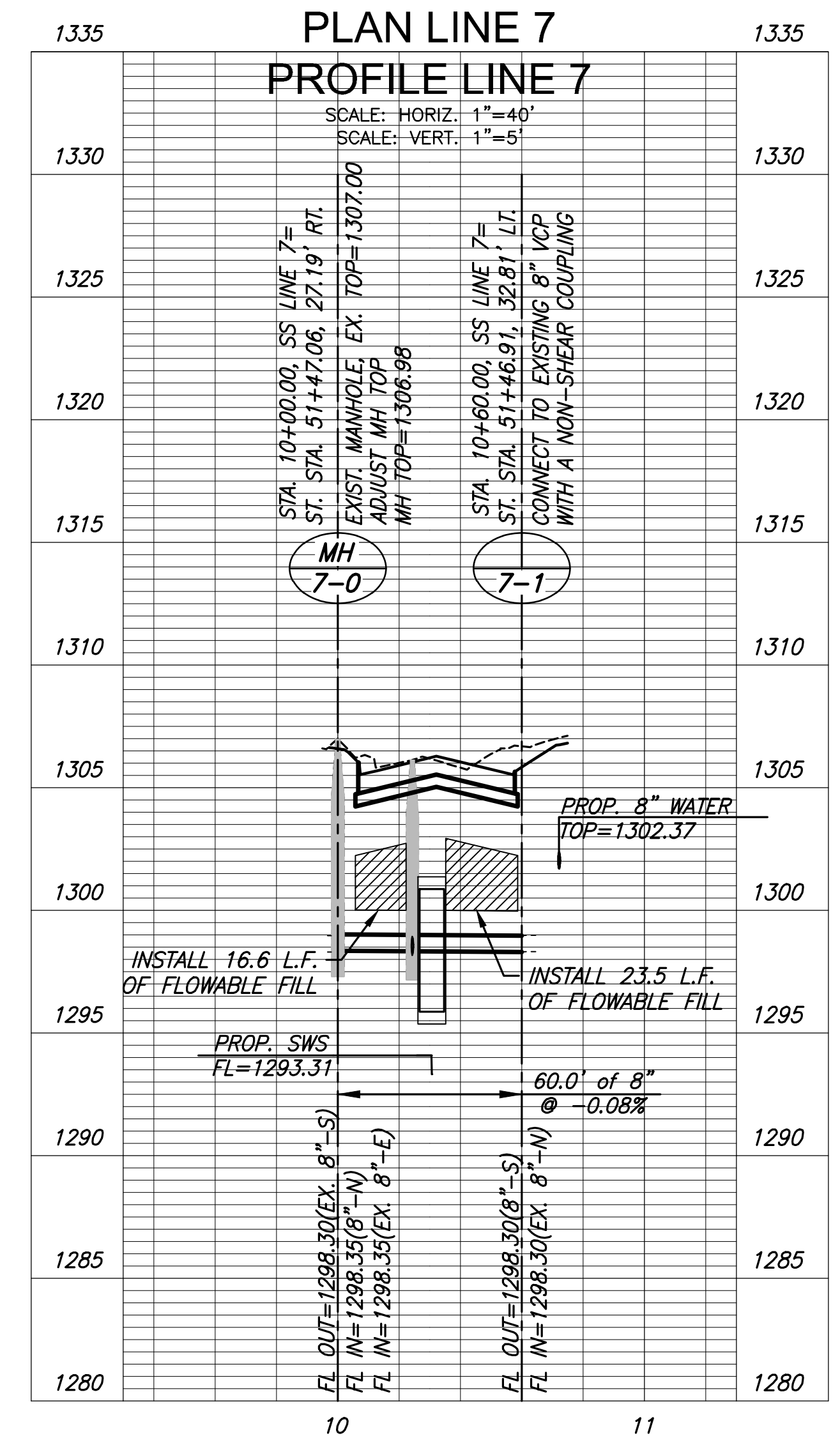
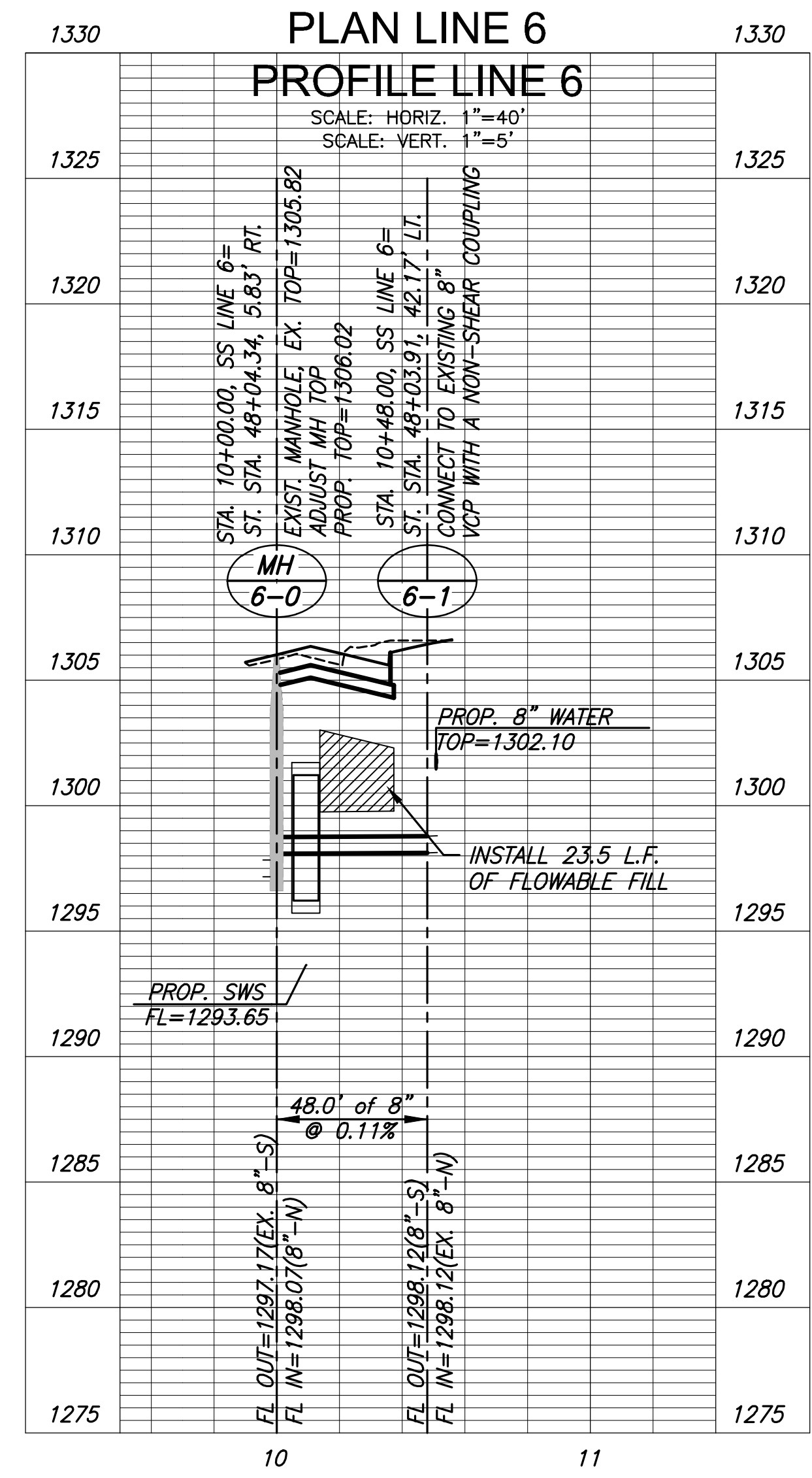
SANITARY SEWER THROUGH SWS MANHOLES

PAID FOR AS "PIPE, SS 8". CASING PAID FOR AS "PIPE, CASING (12" ID)"

PIPE AND STRUCTURE INFORMATION*			
LOCATION	STORM SEWER	SANITARY SEWER #	
STORM SEWER LINE 1 STATION	INVERT E	E SOUTH	E NORTH
107+14.41	1295.86	1298.33	1298.32
110+57.13	1296.21	1298.07	1298.09

* CONTRACTOR TO CONFIRM ALL DIMENSIONS AND ELEVATIONS PRIOR TO CONSTRUCTING STORM SEWER MANHOLES.

NOTE:
CONTRACTOR TO VERIFY THE DEPTH AND LOCATION OF EXISTING UTILITIES PRIOR TO CONSTRUCTION.



STREET IMPROVEMENTS FOR
17TH ST - BROADWAY TO I-135
FROM BROADWAY TO I-135

©2019 MKEC Engineering All Rights Reserved
www.mkec.com
These drawings and their contents, including, but not limited to, all concepts, designs, & ideas are the exclusive property of MKEC Engineering (MKEC), and may not be used or reproduced in any way without the express consent of MKEC.

SANITARY SEWER PLAN & PROFILE LINE 6 & 7

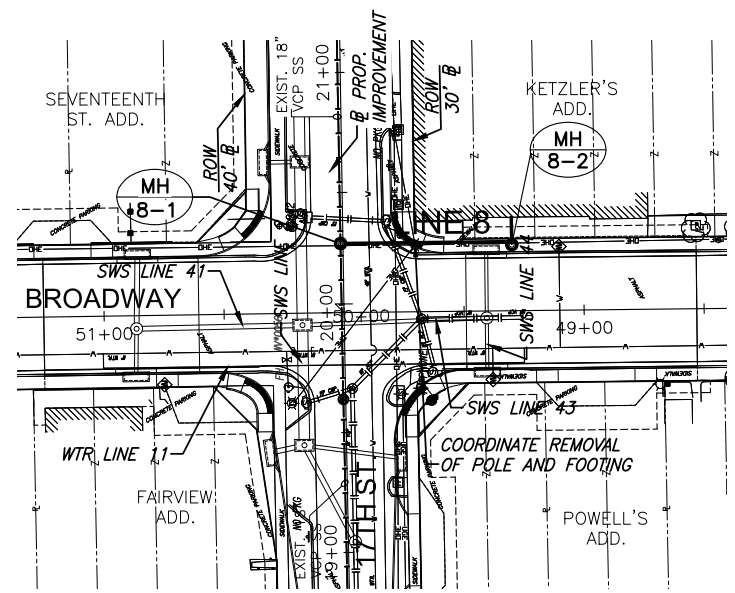
PROJECT NO.	468-85229
DATE	8/30/2019
SCALE	1"=40'
DESIGNED	JRA
DRAWN	WJN
CHECKED	JRA

NO.	REVISION	DATE

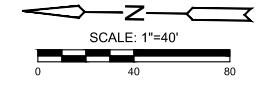
SHEET NO.
89 OF 194

PLOTED: Thursday, January 28, 2021 @ 01:35PM

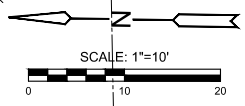
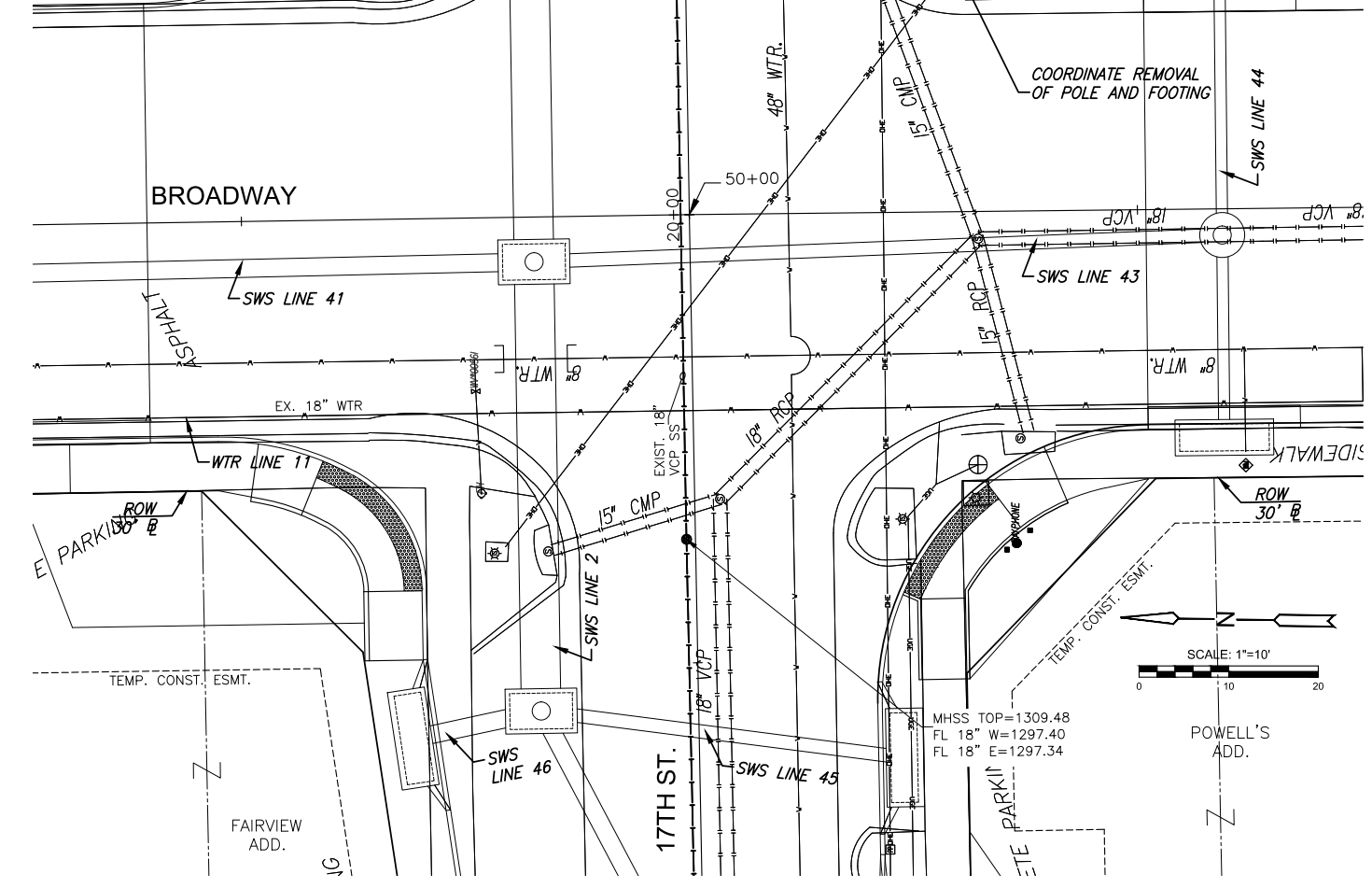
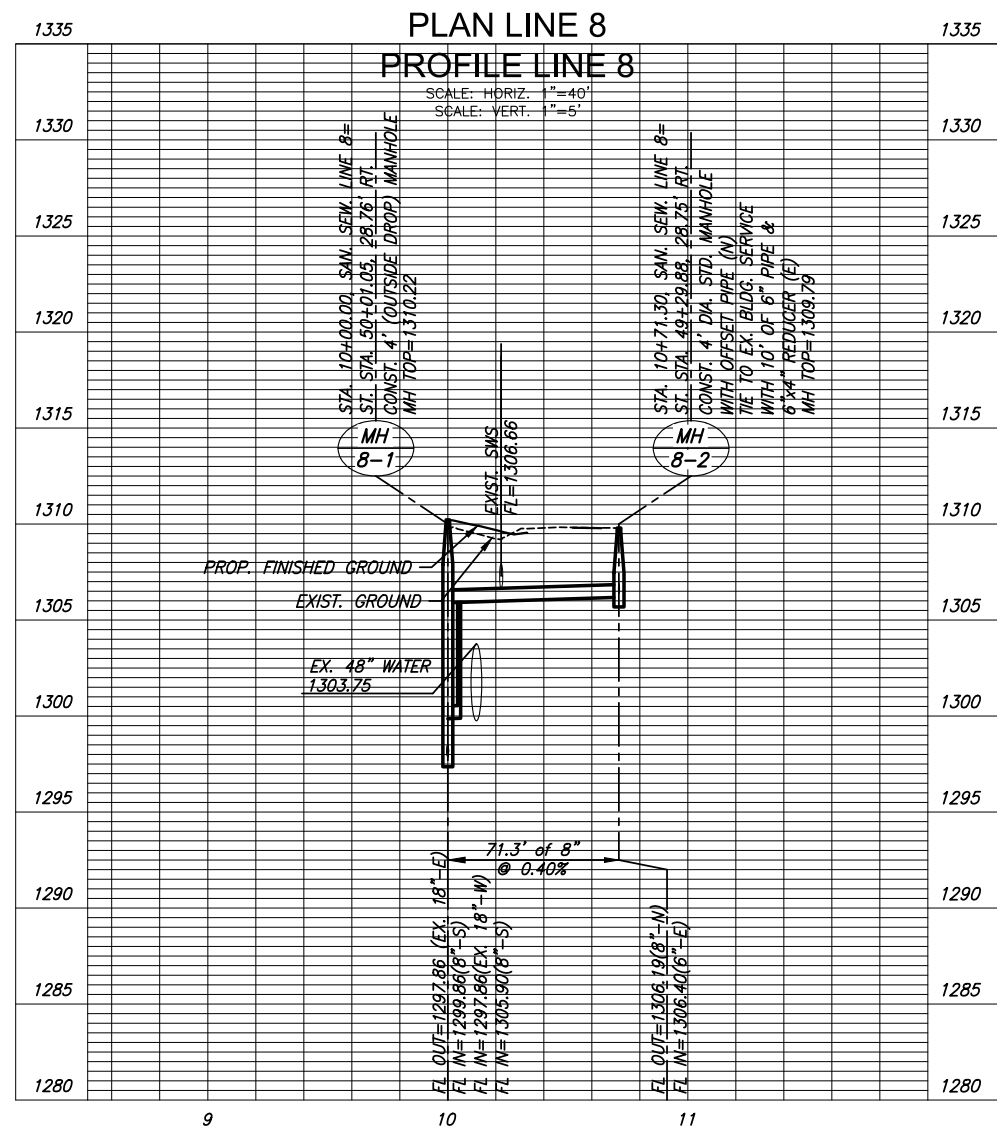
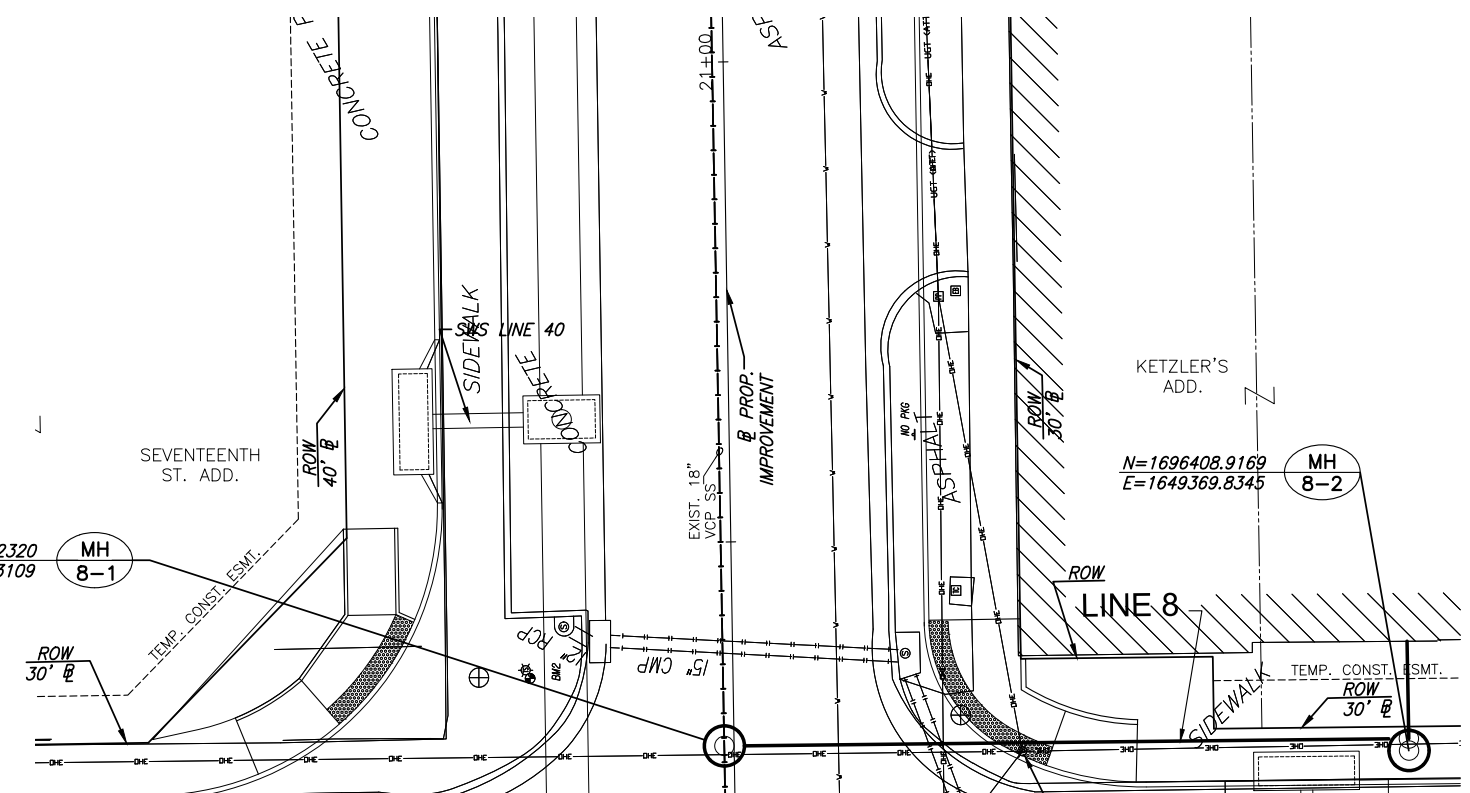
STATE	PROJECT NO.	YEAR	SHEET NO.	TOTAL SHEETS
KANSAS	87 N-0662-01	2019	89A	194



NOTE:
CONTRACTOR TO VERIFY THE DEPTH AND LOCATION OF EXISTING UTILITIES PRIOR TO CONSTRUCTION.



N=1696480.2320
E=1649370.3109



STREET IMPROVEMENTS FOR
17TH ST - BROADWAY TO I-135
 FROM BROADWAY TO I-135

©2021 MKEC Engineering
All Rights Reserved
www.mkec.com
These drawings and their contents, including, but not limited to, all concepts, designs, & ideas are the exclusive property of MKEC Engineering (MKEC), and may not be used or reproduced in any way without the express consent of MKEC.

SANITARY SEWER PLAN & PROFILE LINE 8

PROJECT NO.	468-85229	
DATE	8/30/2019	
SCALE	1"=40'	
DESIGNED	JTC	
DRAWN	DM	
CHECKED	JRA	
NO.	REVISION	DATE
SHEET NO.		

J:\CML\04177\DWG\SAN04177-B04.DWG

PLOTTED: Tuesday, September 03, 2019 @ 03:34PM

J:\CIVIL\0417\DWG\SAN\0417-9901.DWG

STATE	PROJECT NO.	YEAR	SHEET NO.	TOTAL SHEETS
KANSAS	87 N-0662-01	2019	92	194



STREET IMPROVEMENTS FOR
17TH ST - BROADWAY TO I-135
 FROM BROADWAY TO I-135

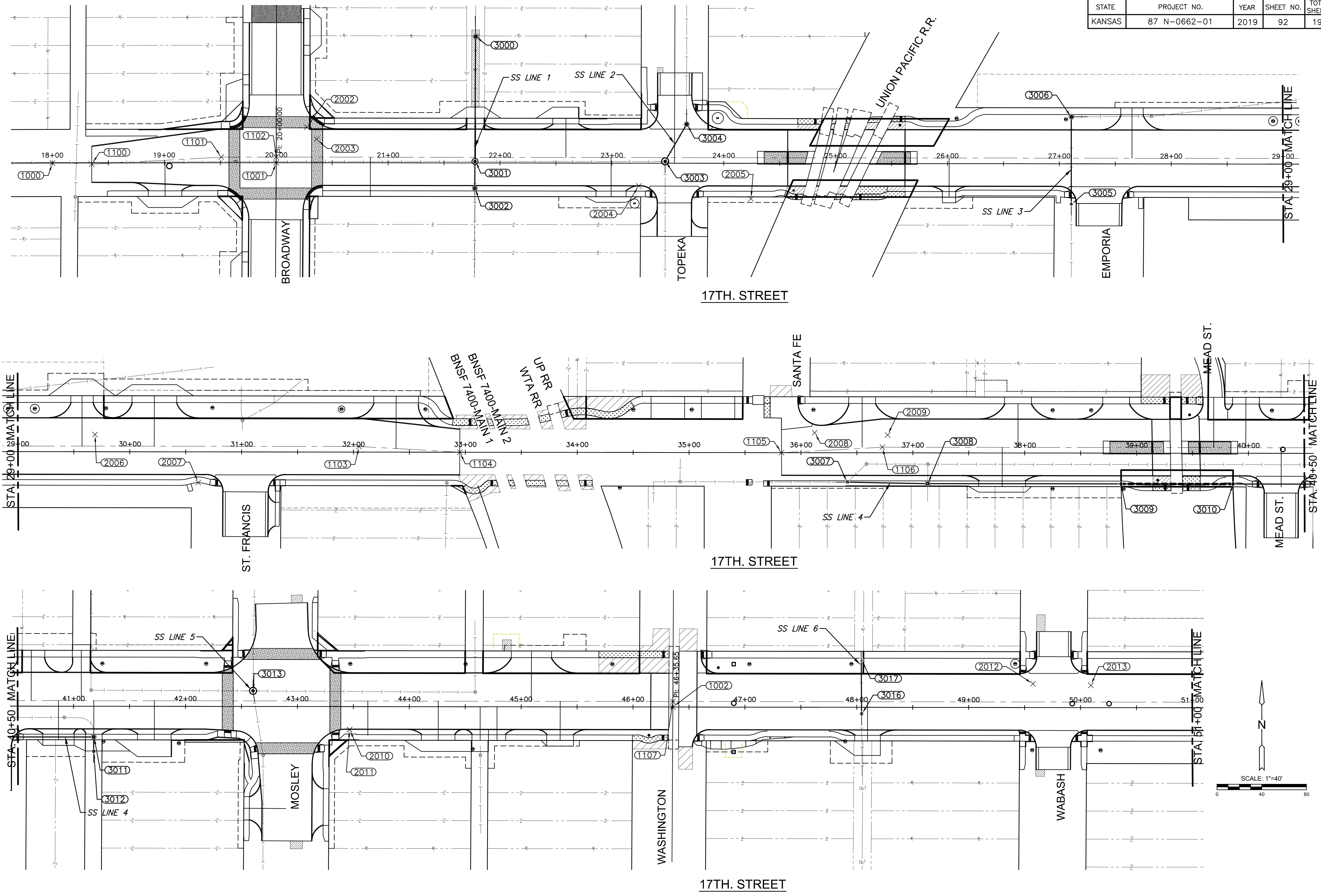
©2019 MKEC Engineering All Rights Reserved
 www.mkec.com
 These drawings and their contents, including, but not limited to, all concepts, designs, & ideas are the exclusive property of MKEC Engineering (MKEC), and may not be used or reproduced in any way without the express consent of MKEC.

SANITARY SEWER BUBBLE MAP

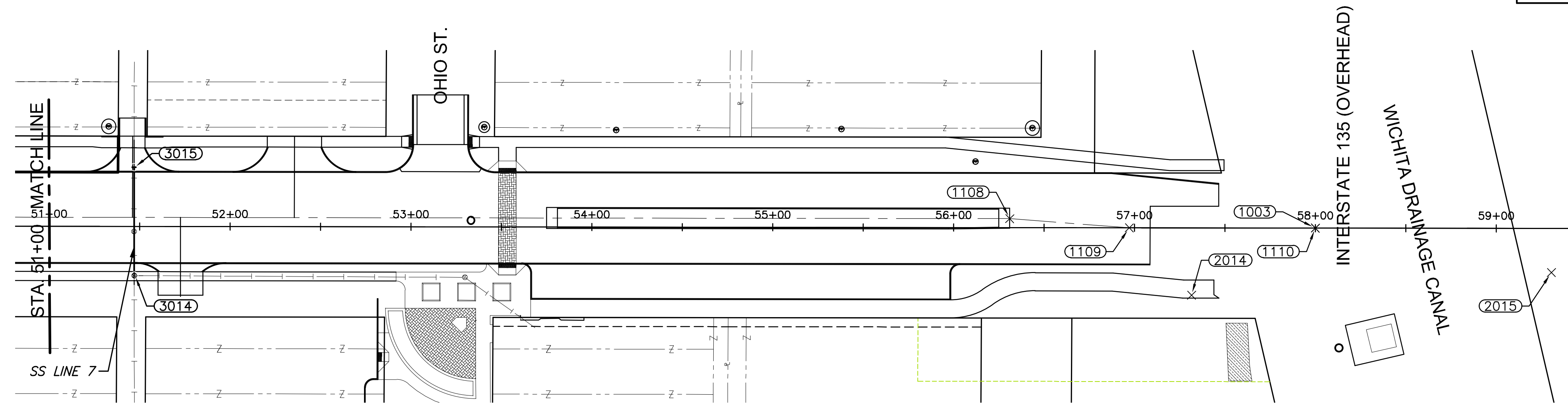
PROJECT NO.	87 N-0662-01	
DATE	8/30/2019	
SCALE	AS NOTED	
DESIGNED	DRAWN	CHECKED
JRA	DM	JRA
NO.	REVISION	DATE

SHEET NO.
 92 OF 194

Sh. No. 92



STATE	PROJECT NO.	YEAR	SHEET NO.	SHEETS
KANSAS	87 N-0662-01	2019	93	194

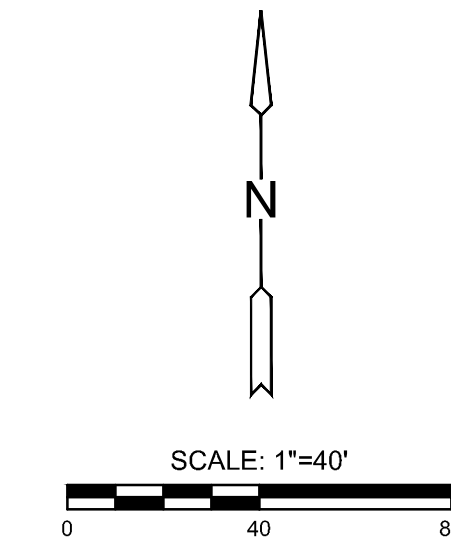


BASELINE POINTS				
Point #	Station/Offset	Northing	Easting	Desc.
1000	18+00.00/0.00'	1696474.971	1649141.611	BL
1001	20+00.00/0.00'	1696478.742	1649341.575	BL
1002	46+35.65/0.00'	1696521.119	1651976.886	BL
1003	58+00.00/0.00'	1696539.811	1653141.085	BL

CROWN LINE POINTS				
Point #	Station/Offset	Northing	Easting	Desc.
1100	18+35.12/0.00'	1696474.476	1649176.746	CROWN
1101	19+50.89/5.00' LT.	1696482.815	1649292.381	CROWN
1102	20+00.00/5.00' LT.	1696483.741	1649341.488	CROWN
1103	32+04.96/5.00' LT.	1696503.115	1650546.297	CROWN
1104	32+94.96/0.00'	1696499.563	1650636.366	CROWN
1105	35+82.55/0.00'	1696504.187	1650923.921	CROWN
1106	36+72.70/5.00' LT.	1696510.636	1651013.982	CROWN
1107	46+36.15/4.60' LT.	1696526.119	1651976.806	CROWN
1108	56+31.00/5.00' LT.	1696542.097	1652972.026	CROWN
1109	56+97.13/0.00'	1696538.159	1653038.227	CROWN
1110	58+00.00/0.00'	1696539.811	1653141.085	CROWN

CONTROL POINTS				
Point #	Station/Offset	Northing	Easting	Desc.
2000	15+41.38/18.23' RT.	1696451.873	1648883.382	CP#100
2001	16+12.08/39.63' RT.	1696431.800	1648954.475	BM#1
2002	20+27.32/31.81' LT.	1696510.984	1649368.381	CP#101
2003	20+36.12/21.14' LT.	1696500.455	1649377.347	BM#2
2004	23+24.12/20.36' RT.	1696463.595	1649665.978	BM#3
2005	24+24.41/31.67' RT.	1696453.902	1649766.437	CP#102
2006	29+68.86/15.33' LT.	1696509.645	1650310.065	CP#103
2007	30+61.28/27.51' RT.	1696468.300	1650403.165	BM#4
2008	36+12.17/17.85' LT.	1696522.513	1650953.249	CP#104
2009	36+77.45/15.95' LT.	1696521.656	1651018.548	BM#5
2010	43+46.68/20.61' RT.	1696495.868	1651688.287	X CUT BM#6
2011	43+46.68/20.61' RT.	1696495.868	1651688.287	CP#105
2012	49+57.45/21.20' LT.	1696547.480	1652298.303	BM#7
2013	50+09.17/19.88' LT.	1696546.992	1652350.042	CP#106
2014	57+31.64/37.24' RT.	1696501.483	1653073.329	CP#107
2015	59+30.51/24.41' RT.	1696517.496	1653271.974	BM#8

SANITARY SEWER POINTS				
POINT NO.	STATION/OFFSET	NORTHING	EASTING	DESC.
3004	23+66.73/34.74' LT.	1696519.371	1649707.695	MH
3000	21+78.06/112.91' LT.	1696594.503	1649517.795	MH OUTSIDE DROP
3001	21+77.62/1.31' LT.	1696482.904	1649519.151	MH OUTSIDE DROP
3002	21+77.52/22.69' RT.	1696458.905	1649519.442	MH
3003	23+47.59/1.62' LT.	1696485.954	1649689.095	MH
3005	27+10.75/36.06' RT.	1696454.117	1650052.809	CONNECT TO EX.
3006	27+10.69/41.94' LT.	1696532.106	1650051.496	MH
3007	36+41.52/26.27' RT.	1696478.868	1650983.305	EX. MH
3008	37+13.29/27.50' RT.	1696478.793	1651055.083	MH
3009	38+85.69/27.50' RT.	1696481.565	1651227.462	ENCASEMENT
3010	39+86.69/27.50' RT.	1696483.188	1651328.449	ENCASEMENT
3011	41+17.99/27.50' RT.	1696485.300	1651459.730	MH
3012	41+17.98/40.33' RT.	1696472.475	1651459.929	EX. MH
3013	42+60.29/13.88' LT.	1696528.961	1651601.347	MH
3014	51+47.06/27.19' RT.	1696502.144	1652488.665	EX. MH
3015	51+46.89/32.81' LT.	1696562.133	1652487.535	CONNECT TO EX.
3016	48+04.34/5.87' RT.	1696517.960	1652145.650	EX. MH
3017	48+03.91/42.17' LT.	1696565.985	1652144.451	CONNECT TO EX.



PROJECT SURVEY CONTROL:
The Project Horizontal Datum is based on the NAD83, Kansas State Plane Coordinate System, South Zone, (US Survey Feet Definition), with a Combined Adjustment Factor (CAF) of 1.000120014.
All coordinate and dimensions shown on these plans are modified to Ground values.

The following equations can be used for conversion:
Ground Coordinates to State Plane Coordinates = Ground x 1/CAF
State Plane Coordinates to Ground Coordinates = State Plane x CAF

The Vertical Datum used is NAVD88.

STREET IMPROVEMENTS FOR
17TH ST - BROADWAY TO I-135
FROM BROADWAY TO I-135

©2019
MKEC Engineering
All Rights Reserved
www.mkec.com
These drawings and their contents, including, but not limited to, all concepts, designs, & ideas are the exclusive property of MKEC Engineering (MKEC), and may not be used or reproduced in any way without the express consent of MKEC.

SANITARY SEWER BUBBLE MAP 2

PROJECT NO.	87 N-0662-01	
DATE	8/30/2019	
SCALE	AS NOTED	
DESIGNED	DRAWN	CHECKED
JRA	DM	JRA
NO.	REVISION	DATE

SHEET NO.
93 OF 194

PLOTTER: Tuesday, September 03, 2019 @ 03:37PM
J:\CIVIL\17\DWG\SAN\0417-9B01.DWG



STREET IMPROVEMENTS FOR
17TH ST - BROADWAY TO I-135
FROM BROADWAY TO I-135

CONCRETE CURB AND GUTTER

Location	Side	Concrete C & G, Type 1 (6" & 1-1/2") (lf)	Concrete Curb Mono Edge (6" & 1-1/2") (lf)	Concrete Curb, Mono Edge (8") (lf)	Concrete Ramp Nose Section (Median) (ea)
18+35.12 - 19+45.12	LT.		111.0		
18+35.12 - 19+45.12	RT.		110.0		
19+45.12 - 19+76.21	LT.		53.3		
19+45.12 - 19+75.59	RT.		48.2		
20+30.29 - 20+54.54	RT.		53.5		
20+24.04 - 20+54.54	LT.		47.9		
20+54.54 - 23+33.64	LT.		279.5		
20+54.54 - 23+33.38	RT.		279.2		
23+78.48 - 24+57.09	RT.		79.0		
23+89.85 - 24+57.09	LT.		69.9		
24+30.08 - 24+78.80	C/L			190.5	2
25+30.50 - 25+72.95	C/L			78.5	2
25+62.19 - 27+07.92	RT.		146.1		
25+62.19 - 32+94.96	LT.		733.3		
27+63.33 - 30+75.96	RT.		313.4		
31+30.98 - 32+94.96	RT.		164.4		
35+82.55 - 39+13.96	RT.		331.6		
36+10.17 - 39+13.96	LT.		303.7		
38+70.12 - 39+30.21	C/L			118.5	2
39+40.43 - 39+90.31	C/L			98.5	2
39+81.42 - 42+19.76	LT.		238.3		
39+56.68 - 40+06.75	RT.		50.0		
40+51.79 - 42+19.76	RT.		168.4		
42+19.76 - 42+62.41	LT.		58.0		
42+19.76 - 42+66.02	RT.		68.1		
43+13.14 - 43+49.74	LT.		56.1		
43+13.08 - 43+49.74	RT.		56.8		
43+49.74 - 46+15.73	LT.		266.1		
43+49.74 - 46+15.73	RT.		265.9		
46+57.47 - 49+53.09	RT.		297.7		
46.68.18 - 49+53.51	LT.		286.1		
49+98.38 - 57+08.63	RT.		710.7		
49+98.68 - 53+93.78	LT.		295.9		
53+38.88 - 57+46.57	LT.		408.5		
53+75.00 - 56+31.00	C/L			488.0	2
53+61.21 - 56+03.45	RT.		276.5		
Broadway					
48+53.06 - 49+49.06	LT.		96.0		
48+53.06 - 49+49.06	RT.		96.0		
50+60.54 - 51+25.14	LT.		64.6		
50+60.54 - 51+37.86	RT.		77.3		
Mosley					
48+79.82 - 49+46.83	LT.		67.1		
48+79.82 - 49+46.83	RT.		67.0		
50+62.32 - 50+92.32	LT.		29.8		
50+62.32 - 50+92.32	RT.		29.9		
Totals		333.9	6,821.2	974.0	10

SIDE STREET AND MISCELLANEOUS PAVEMENT AND SURFACING

Location	Side	Concrete Pavement (VG) 8" (Reinf.) (sy)	Crushed Rock Base 7", Reinforced (sy)	Concrete Curb, Mono Edge (6" & 1-1/2") (lf)	Concrete Pavement 8" (Reinf.) (sy)	AC Pavement 7" (5" Bit. Base) (sy)	Crushed Rock Base 8", Reinforced (sy)	Concrete C&G, Type 1 (6" & 1-1/2") (lf)	Concrete C&G, Type 2 (3-5/8" RL & 1-1/2") (lf)	Aggregate Hookup (sy)
23+56.06 - Topeka	RT.	61.0	174.6	31.9	103.6			60.0		
23+56.09 - Topeka	LT.	128.9	209.5	67.3	57.9			40.0		
27+35.63 - Emporia	RT.	78.1	81.4	31.9		80.6	96.2	40.0		
31+03.33 - St. Francis	RT.	78.4	272.5	32.3	159.7			80.0		
35+84.99 - Santa Fe	LT.	80.5	83.7	30.2						21.5
39+68.92 - Mead	LT.	49.3	53.2	29.8		136.0	172.3	72.9		98.6
40+29.28 - Mead	RT.	60.9	210.9	31.9	115.6				80.0	
46+35.65 - Washington	LT.	13.3	15.4	20.5						168.6
46+35.65 - Washington	RT.									51.8
49+75.62 - Wabash	LT.	61.1	147.3	31.9	65.4			45.0		
49+75.62 - Wabash	RT.	61.3	138.5	31.9	58.3			40.0		
53+16.31 - Ohio	LT.	60.8	164.9	31.9	79.3			55.0		
17th St.										
24+66.08 - 25+62.19	LT.									31.5
24+55.75 - 25+62.19	RT.									25.9
32+91.30 - 34+00.00	LT.									74.0
32+94.96 - 33+93.86	RT.									73.9
34+00.00 - 34+59.97	LT.									71.3
34+00.55 - 34+14.78	RT.									10.2
39+14.22 - 39+24.59	RT.									14.3
18th St.										
116+86.86 - 118+31.07	LT.									63.05
116+23.23 - 118+26.07	RT.									126.44
Totals		733.6	1551.9	371.5	639.7	216.6	268.5	432.9	80.0	831.1

MAINLINE PAVEMENT

Location	Side	Concrete Pavement 9" (Reinf.) (sy)	Concrete Pavement 9" (NRDJ) (sy)	Concrete Pavement 6" (sy)	Concrete Approach 12", Railroad (sy)	AC Pavement 12" (8" Bit. Base) (sy)	Crushed Rock Base 6", Reinforced (sy)	Asphalt Hookup (sy)	REMARKS
17th St. N.									
18+35.12 - 19+45.12	C/L		506.0				530.6		
19+45.12 - 20+54.54	C/L	748.0					1,032.0		Intersection
20+54.54 - 24+57.09	C/L		2284.4				2,364.0		
24+57.34 - 24+78.80	C/L				128.2		133.1		
24+78.80 - 25+30.50	C/L				58.2	7.0	60.4		
25+30.50 - 25+61.94	C/L				163.7		170.0		
25+62.19 - 32+94.96	C/L		4106.9				4,259.0		
35+82.55 - 39+13.96	C/L		1827.9				1,899.9		
39+14.22 - 39+30.21	C/L				90.6		94.2		
39+40.43 - 39+56.43	C/L				92.5		96.0		
39+56.68 - 42+19.76	C/L		1492.9				1,544.3		
42+19.76 - 43+49.74	C/L	943.2					1,218.1		Intersection
43+49.74 - 46+15.73	C/L		1507.3				1,567.9		
46+15.98 - 46+31.98	C/L				90.7		94.2		
46+40.98 - 46+56.98	C/L				149.4		150.6		
46+57.23 - 53+48.35	C/L		3923.3				4,062.2		
53+48.35 - 53+58.18	C/L						57.9		
53+58.18 - 57+46.57	C/L		2044.6				2,126.7		
53+61.21 - 56+03.45	RT.			504.4					Parking
Broadway									
48+53.06 - 49+49.06	C/L		469.3				544.0	98.2	
50+60.54 - 51+25.14	C/L		315.8				371.0	98.3	
Mosley									
48+79.82 - 49+46.83	C/L		341.5				356.4		
50+62.32 - 50+92.32	C/L		156.8				163.4		
Totals		1,691.2	18,976.9	504.4	773.3	7.0	22,896.1	196.4	

SUMMARY OF WATER ITEMS

Line No.	Pipe, D1CL 6" (lf)	Pipe, D1CL 8" (lf)	Pipe, D1CL 16" (lf)	Pipe, D1CL 42" (lf)	Pipe, WL 2" (lf)	Pipe, WL 4" (lf)	Pipe, WL 6" (lf)	Pipe, WL 8" (lf)	Pipe, WL 16" (lf)	Pipe, Casing (18" ID min.), Bore Trenchless (lf)	Pipe, Casing (30" ID min.), Bore Trenchless (lf)	Valve Assembly, 4" (ea)	Valve Assembly, 6" (ea)	Valve Assembly, 8" (ea)	Valve Assembly, 16" (ea)	Blowoff Assembly, (ea)	Outlet Assembly, 2" (ea)	Tapping Sleeve & Valve* (ea)	Fire Hydrant Assembly (ea)	Fire Hydrant Removal (ea)	Pipe Removed (lf)	Cut and Cap (ea)	Valve Box Removed (ea)	Long Service, 1" (ea)	Long Service, 2" (ea)	Short Service, 1" (ea)	Short Service, 2" (ea)	Domestic Service, 4", Short (ea)	Water Meter Adjusted (ea)	Pipe, WL, Abandoned In Place (lf)		
Line 1			18.7						485.3		138.9																				340	
Line 1a			12.2						23.7																							
Line 2		38.0						379.6						1						1	1											
Line 2A	19.9						20.0																									
Line 3		102.4						1,633.7		116.0		2		1					1	4	4											
Line 4					21.5	15.0											1	1														
Line 5		69.3						104.6												1	1											
Line 6		42.7						18.6												1	1											
Line 7					1.9			85.5																								
Line 8					4.8	15.0																										
Line 9		56.8						61.9												1	1											
Line 10		8.4						35.7																								
Line 11		95.4						95.9												1	1											
Line 12		67.4						79.2												1	1											
Line 13					40.0																											
Project																																
Totals	19.9	480.4	30.9	40.0	28.2	30.0	20.0	2,494.7	509.0	116.0	138.9	3	1	13	4	2	1	1	9	9	616.0	28	27	3	2	7	0	2	3	340		

*For information only. City to provide.

SUMMARY OF SANITARY ITEMS

Line No.	Pipe, 8" (lf)	Pipe, 15" (lf)	Air Testing, SS Pipe (lf)	Fill, Flowable (lf)	Sand Backfill & Flush (lf)	MH, Standard SS (4") (ea)	MH, Standard SS (4"), Lined (ea)	MH, Standard SS (6") (ea)	MH, Outside Drop SS (4") (ea)	MH, Outside Drop SS (5") (ea)	MH, Shallow SS (4") (ea)	MH Removed (ea)	MH Abandoned (ea)	MH Invert, Reconstructed (ea)	MH, Joint Wrap (lf)	MH, Connect to Existing (ea)	Pipe, Connect to Existing (ea)	Sewer Service Reroute (ea)	Pipe Plug (ea)	Pipe Abandoned In Place (lf)	Pipe Removed (lf)	Pipe, Casing (12" ID) (lf)	Pipe, Casing (16" ID min.) Bore & Jack (lf)
Line 1	24.0	111.6	135.6	19.3	106.9	1			1	1		2			54			1	1		135.6		
Line 2		38.2	38.2		33.1		1					2			76						38.2		
Line 3	78.0		78.0	53.0		1						1					1				78.0		
Line 4	489.3		489.3		303.7	1					1		3	1					1	507.5			101.0
Line 5							1					1			22	4							
Line 6	48.0		48.0	23.5												1	1				48.0	11.0	
Line 7	60.0		60.0	40.1								1				1	1				60.0	11.0	
Totals	699.3																						

RECAPITULATION OF QUANTITIES			
CITY OF WICHITA PROJECT NO. 472-84014			
LINE NO.	BID ITEM DESCRIPTION	QUANTITY	UNIT
Lump Sum Bid Items - Paving			
1	Mobilization	1	LS
2	Removal of Existing Structures	1	LS
3	Transport of Salvaged Materials (Non-Participating)	1	LS
4	Site Clearing	1	LS
5	Site Restoration	1	LS
6	Pavement &/or Curb Removed	17,156	sy
7	Excavation	9,695	cy
8	Fill, Compacted (95% Density)	761	cy
9	Crushed Rock Base 8", Reinforced	269	sy
10	Crushed Rock Base 7", Reinforced	1,552	sy
11	Crushed Rock Base 6", Reinforced	22,897	sy
Lump Sum Bid Items - Roadside Improvements			
12	Sodding, Buffalo	1	LS
13	Seeding, Buffalo	1	LS
Lump Sum Bid Items - Plaza (Non-Participating)			
14	Electrical Service	1	LS
Lump Sum Bid Items - Traffic			
15	Pavement Marking	1	LS
16	Signing, Except Street Name Signs	1	LS
17	Signing, Street Name Signs Only (Non-Participating)	1	LS
18	Traffic Signalization, 17th & Broadway	1	LS
19	Traffic Signalization, 17th & Mosley	1	LS
20	Traffic Signalization, 17th & Broadway (Temporary)	1	LS
21	Traffic Control	1	LS
Measured Quantity Bid Items - Paving			
22	Field Office and Laboratory (Type A)	1	ea
23	Sidewalk, Drive, &/or Pkg Lot Removed	9,487	sy
24	Concrete Approach 12", Railroad	774	sy
25	Concrete Pavement 9" (NRD)	18,977	sy
26	Concrete Pavement 9" (Reinf.)	1,692	sy
27	Concrete Pavement 8" (Reinf.)	640	sy
28	Concrete Pavement (VG) 8" Reinf.	734	sy
29	Concrete Driveway 8" (Reinf.)	19,486	sf
30	Concrete Alley 8" (Reinf.)	2,037	sf
31	AC Pavment 7" (5" Bit, Base)	217	sy
32	AC Pavment 12" (10" Bit, Base)	6	sy
33	AC Pavment 6"	167	sy
34	Concrete Sidewalk 4"	30,161	sf
35	Concrete Sidewalk 5" (Reinf.)	3,814	sf
36	Concrete Sidewalk 8" (Reinf.)	2,616	sf
37	Sidewalk Thickening	584	lf
38	Wheelchair Ramp w/ Detectable Warnings	57	ea
39	Brick Pavers, Median	172	sy
40	Brick Pavers, Crosswalk	503	sy
41	Concrete Base 8" (Reinf.)	557	sy
42	Concrete C&G, Type 1 (6" & 1-1/2")	767	lf
43	Concrete C&G, Type 2 (3-5/8" RL & 1-1/2")	80	lf
44	Concrete Curb, Mono Edge (6" & 1-1/2")	7,228	lf
45	Concrete Curb, Mono Edge (8")	974	lf
46	Concrete Pavement Removed & Replaced	145	lf
47	Concrete Curb, Mono Edge, Removed & Replaced	70	lf
48	Concrete C & G Removed and Replaced	15	lf
49	Concrete C & G (Special) Removed and Replaced	298	lf
50	Concrete Sidewalk 4" Removed and Replaced	136	sf
51	Concrete Sidewalk 5", Removed and Replaced	389	sf
52	Concrete Ramp Nose Section (Median)	10	ea
53	Concrete Protection Curb	858	lf
54	Asphalt Hook-up	197	sy
55	Aggregate Hook-up	840	sy
56	Curb Casting 6"	1	ea
57	Monitoring Well Capped	6	ea

FOR UTILITY ADJUSTMENTS SEE THE PAVING PLAN SHEETS 5-13.
 FOR REMOVAL OF EXISTING PIPES AND STRUCTURE SEE THE PAVING PLAN SHEETS 5-13.
 FOR STORM SEWER SUMMARY OF QUANTITIES SEE SH. NO. 18.
 FOR STORM SEWER OUTFALL SUMMARY OF QUANTITIES SEE SH. NO. 84.
 FOR EROSION CONTROL SUMMARY OF QUANTITIES SEE SH. NO. 113.
 FOR ROADSIDE IMPROVEMENT SUMMARY OF QUANTITIES SEE SH. NO. 120.
 FOR TRAFFIC SIGNAL SUMMARY OF QUANTITIES SEE SH. NO. 136 & 138.
 FOR PAVEMENT MARKING SUMMARY OF QUANTITIES SEE SH. NO. 145.
 FOR SIGNING SUMMARY OF QUANTITIES SEE SH. NO. 148.
 FOR TEMPORARY PAVEMENT PATCHING SEE SH. NO. 156.

RECAPITULATION OF QUANTITIES			
CITY OF WICHITA PROJECT NO. 472-84014			
LINE NO.	BID ITEM DESCRIPTION	QUANTITY	UNIT
58	Fence Removed	1,409	lf
59	Fence (Temporary Construction)	270	lf
60	Fence Removed and Replaced	40	lf
61	End of Track Device	3	ea
62	Railroad Track Removed	95	lf
63	Railroad Signal Removed	2	ea
64	Wall Removed	43	lf
65	Floor Slab Removed	173	sy
66	Pipe, SWS, Removed	2,365	lf
67	Inlet Removed	21	ea
68	MH, SWS, Removed	14	ea
69	Valve Adjusted	12	ea
70	MH Adjusted	3	ea
71	MH Adjusted w/ New Ring & Cover	10	ea
Measured Quantity Bid Items - Drainage			
72	Pipe, SWS 15" RCP	559	lf
73	Pipe, SWS 18" RCP	1,034	lf
74	Pipe, SWS, HERCP (23" x 14") (18)	62	lf
75	Pipe, SWS 24" RCP	615	lf
76	Pipe, SWS 24" RCP, Special	59	lf
77	Pipe, SWS 30" RCP	125	lf
78	Pipe, SWS 36" RCP	745	lf
79	Pipe, SWS 48" RCP	227	lf
80	Pipe, SWS 48" RCP, Special	293	lf
81	Pipe, SWS, HERCP (34" x 53") (42)	428	lf
82	Pipe, SWS, HERCP (38" x 60") (48)	38	lf
83	Pipe, SWS, RCBC (5' x 3')	726	lf
84	Pipe, SWS, RCBC (8' x 3')	513	lf
85	Pipe, SWS, RCBC (8' x 5')	584	lf
86	Pipe, SWS, RCBC (8' x 5'), Special	66	lf
87	Pipe, SWS, RCBC (8' x 5'), Watertight	897	lf
88	Sand Backfill, Flushed and Vibrated	7,962	lf
89	Inlet, Curb (Type 1)(L=5', W=3')	1	ea
90	Inlet, Curb (Type 1)(L=10', W=3')	10	ea
91	Inlet, Curb (Type 1)(L=10', W=4')	1	ea
92	Inlet, Curb (Type 1)(L=10', W=5')	1	ea
93	Inlet, Curb (Type 1)(L=10', W=6')	1	ea
94	Inlet, Curb (Type 1)(L=15', W=3')	1	ea
95	Inlet, Curb (Type 1)(L=15', W=4')	1	ea
96	Inlet, Curb (Type 1A)(L=5', W=3'), Special	2	ea
97	Inlet, Curb (Type 1A)(L=10', W=3'), Special	25	ea
98	Inlet, Curb (Type 1A)(L=10', W=4'), Special	2	ea
99	Inlet, Curb (Type 1A)(L=15', W=3'), Special	3	ea
100	Inlet, Curb (Type 2)(L=6'-4", W=3'-4")	5	ea
101	Inlet, Curb (Type 2)(L=6'-4", W=11'-0"), Special	1	ea
102	Inlet, Grated Driveway, Double	1	ea
103	Inlet, Drop (Single)	3	ea
104	Inlet, Drop (Double)	3	ea
105	Inlet, Drop (Double-Double)	1	ea
106	MH, Standard SWS (5')	2	ea
107	MH, Standard SWS (6')	3	ea
108	MH, Shallow SWS (4')	1	ea
109	MH, Shallow SWS (5')	1	ea
110	MH, Shallow SWS (5'), Doghouse	1	ea
111	MH Stack (4')	18	ea
112	MH, Reinforced Concrete (L=7', W=4')	11	ea
113	MH, Reinforced Concrete (L=7', W=5')	1	ea
114	MH, Reinforced Concrete (L=10', W=4')	2	ea
115	MH, Reinforced Concrete (L=10', W=7')	1	ea
116	MH, Reinforced Concrete (L=14', W=4')	2	ea
117	Pipe, SWS, PVC 4", Perforated	926	lf
118	Pipe, SWS PVC 4"	76	lf
119	Pipe, SWS PVC 6"	62	lf
120	Downspout Connection	5	ea
121	Connection to Existing Structure	10	ea

RECAPITULATION OF QUANTITIES			
CITY OF WICHITA PROJECT NO. 472-84014			
LINE NO.	BID ITEM DESCRIPTION	QUANTITY	UNIT
122	Inlet Hook-up	22	ea
123	Inlet Hook-up, Special	33	ea
124	Pipe, SWS, Abandoned In Place	188	lf
125	MH, SWS, Abandoned	2	ea
126	Concrete (Grade 4.0)(AE)	25	cy
127	Reinforcing Steel (Grade 60)	1,970	lbs
128	Flap Gate	1	ea
129	Rip-rap, Concrete 6", (Reinf.)	52	sy
130	Groundwater Management	1	LS
131	Waste Water Pumping (Sanitary Sewer)	2,500	1,000 Gal
132	Waste Water Pumping (Aeration)	500	1,000 Gal
133	Waste Water Pumping	150	1,000 Gal
Bid Items - Erosion Control BMP			
134	BMP, Back of Curb Protection	5,920	lf
135	BMP, Curb Inlet Protection	53	ea
136	BMP, Drop Inlet Protection	11	ea
137	BMP, Construction Entrance	15	ea
Measured Quantity Bid Items - Roadside Improvements			
138	Tree Removed, Small	5	ea
139	Tree Removed, Large	8	ea
Measured Quantity Bid Items - Plaza (Non-Participating)			
140	Concrete Banding	155	lf
141	1/2" Moline Gravel	70	sy
142	Brick Pavers, Plaza	134	sy
143	Concrete Base 4" (Reinf.)	134	sy
144	Concrete C&G, Type 4 (6-5/8" x 1-1/2")	52	lf
145	Wheelchair Ramp, Special	3	ea
146	Concrete Landscape Curb	120	lf
147	Concrete Sidewalk 6" (Reinf.)	2,400	sf
148	Sidewalk Thickening, Special	44	lf
149	Brick Pavers, Crosswalk (Special)	54	sy
150	Light Column 5"	10	ea
151	Large Shade Structure	1	ea
152	Small Accent Structure	2	ea
153	Tables	4	ea
154	Statue Base / Custom Seat	1	ea
155	Stadium Seat Installation	1	ea
156	Sculpture Up Lighting	4	ea
157	Downlights	12	ea
158	LED Strip Lights	30	lf
159	Inlet, Drop (Nyloplast or Equal)	1	ea
160	Pipe, SWS, PVC 8"	69	lf
161	Tree, Shantung Maple, 3" Cal, B&B	5	ea
162	Perennial, #1 Container	620	ea
163	Pavement Marking, Baseball	2	ea
Measured Quantity Bid Items - Traffic			
164	AC Pavement 6", Temporary	1,000	sy
165	AC Pavement 6", Temporary (Phase Shifts)	157	sy
166	Crushed Rock Base 5", Temporary	72	sy
167	AC Curb, Temporary	102	lf
168	Concrete Safety Barrier, Temporary	460	lf
169	Portable Changeable Electronic Message Sign	300	days

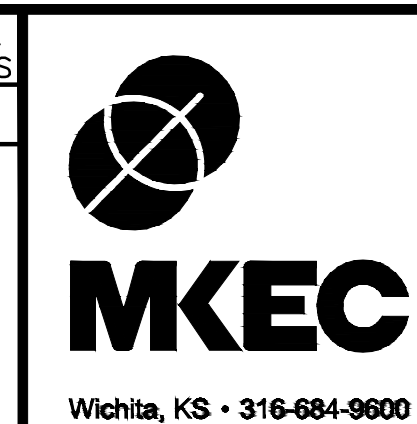
RECAPITULATION OF QUANTITIES			
LINE NO.	BID ITEM DESCRIPTION	QUANTITY	UNIT
Measured Quantity Bid Items - Add Alternate			
219	Art Display Panels	1	LS
220	Coordinate with Artist	1	LS

RECAPITULATION OF QUANTITIES			
LINE NO.	BID ITEM DESCRIPTION	QUANTITY	UNIT
Lump Sum Bid Item - Paving			
221	Mobilization (DBE)	1	LS
Measured Quantity Bid Items - Paving			
222	Concrete Pavement 6"	504	sy
Measured Quantity Bid Items - Water (Non-Participating)			
223	Pipe, WL, Abandoned In Place	340	lf
224	Domestic Service, 4", Short	2	ea
Measured Quantity Bid Items - Sanitary Sewer (Non-Participating)			
225	MH, Standard SS (4'), Lined	1	ea

STATE	PROJECT NO.	YEAR	SHEET NO.	TOTAL SHEETS
KANSAS	87 N-0662-01	2019	111	194

RECAPITULATION OF QUANTITIES			
CITY OF WICHITA PROJECT NO. 468-85229			
LINE NO.	BID ITEM DESCRIPTION	QUANTITY	UNIT
Measured Quantity Bid Items - Sanitary Sewer (Non-Participating)			
170	Pipe, SS 8"	700	lf
171	Pipe, SS 15"	150	lf
172	Pipe, Casing (12" ID)	22	lf
173	Pipe, Casing (16" ID min.) Bore & Jack	101	lf
174	Fill, Flowable	136	lf
175	Fill, Sand (Flushed & Vibrated)	609	lf
176	Pipe, Plug Existing	2	ea
177	Pipe, Connect to Existing	4	ea
178	Air Testing, SS Pipe	850	lf
179	MH, Standard SS (4')	3	ea
180	MH, Shallow SS (4')	1	ea
181	MH, Standard SS (4') w/ Outside Drop	1	ea
182	MH, Standard SS (5') w/ Outside Drop	1	ea
183	MH, Standard SS (6')	2	ea
184	MH Invert, Reconstructed	1	ea
185	MH, Joint Wrap	152	lf
186	MH, Connect to Existing	6	ea
187	Bypass Pumping	1	LS
188	Pipe, SS, Removed	360	lf
189	MH, SS Abandoned	3	ea
190	MH, SS, Removed	8	ea
191	Pipe, SS, Abandoned In Place	508	lf

RECAPITULATION OF QUANTITIES			
CITY OF WICHITA PROJECT NO. 448-90078			
LINE NO.	BID ITEM DESCRIPTION	QUANTITY	UNIT
Measured Quantity Bid Items - Water (Non-Participating)			
192	Pipe, DICL 6"	20	lf
193	Pipe, DICL 8"	481	lf
194	Pipe, DICL 16"	31	lf
195	Pipe, DICL 42"	40	lf
196	Pipe, WL 2"	29	lf
197	Pipe, WL 4"	30	lf
198	Pipe, WL 6"	20	lf
199	Pipe, WL 8"	2,495	lf
200	Pipe, WL 16"	509	lf
201	Pipe, Casing (18" ID Min.)	116	lf
202	Pipe, Casing (30" ID Min.)	139	lf
203	Valve Assembly, 4"	3	ea
204	Valve Assembly, 6"	1	ea
205	Valve Assembly, 8"	13	ea
206	Valve Assembly, 16"	4	ea
207	Blowoff Assembly	2	ea
208	Outlet Assembly, 2"	1	ea
209	Fire Hydrant Assembly	9	ea
210	Fire Hydrant Removal	9	ea
211	Pipe, WL Removed	616	lf
212	Cut and Cap	28	ea
213	Valve Box Removed	27	ea
214	Long Service, 1"	3	ea
215	Long Service, 2"	2	ea
216	Short Service, 1"	7	ea
217	Short Service, 2"	0	ea
218	Water Meter Adjusted	3	ea



STREET IMPROVEMENTS FOR
17TH ST - BROADWAY TO I-135
 FROM BROADWAY TO I-135

©