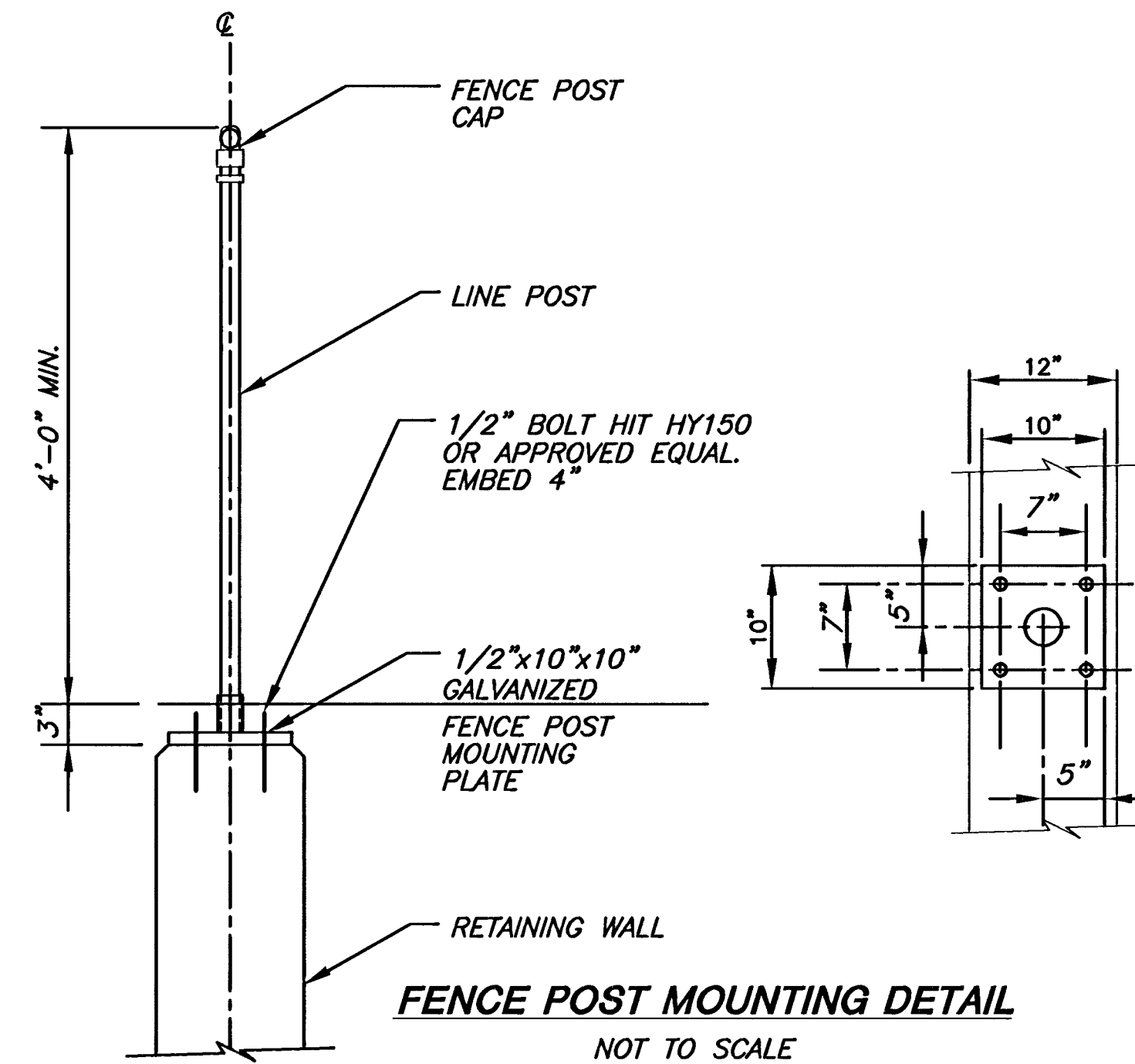


- ◆ BRACE
1.660" O.D., 0.083" TH. (1.40#/LIN. FT.) PIPE OR
1.660" O.D., 0.140" TH. (2.27#/LIN. FT.) PIPE
- * LINE POST 4'-5/8" LENGTH
2.375" O.D., 0.154" TH. (3.65#/LIN. FT.) PIPE OR
2.375" O.D., 0.130" TH. (3.12#/LIN. FT.) PIPE
- ▲ END, CORNER, GATE, OR PULL POST 4'-5/8" LENGTH.
(A120) 2.875" O.D., 0.203" TH. (5.97#/LIN. FT.) PIPE
OR 2.875" O.D., 0.160" TH. (4.64#/LIN. FT.) PIPE.



GENERAL NOTES:

ALL STEEL POSTS, BRACES, FITTINGS, AND PLATES SHALL BE GALVANIZED AND/OR COATED IN ACCORDANCE WITH K.D.O.T. STANDARD SPEC.
STEEL POSTS SHALL BE PROVIDED WITH FASTENERS TO PREVENT SLIPPAGE OF THE WIRE STRANDS.
OUTSIDE DIAMETERS SHOWN FOR TUBULAR STEEL POSTS, BRACING AND GATE FRAMES ARE NOMINAL. WEIGHT TOLERANCES SHALL BE AS SHOWN IN THE K.D.O.T. STANDARD SPECIFICATIONS. CHAIN LINK FABRIC AND TENSION WIRE SHALL BE EITHER ZINC COATED (GALVANIZED) OR ALUMINUM COATED.



AREA "K" PART 2 - PHASE 2
WICHITA DRAINAGE CANAL
PROJECT NAME

OVERHEAD DRAIN & FENCE DETAILS
SHEET TITLE

JNJ DESIGN BY:	MLW/RSB DRAWN BY:	TKM CHECKED BY:
JAN. 2001 DATE	94011 JOB NO.	21 / 47 SHEET / OF