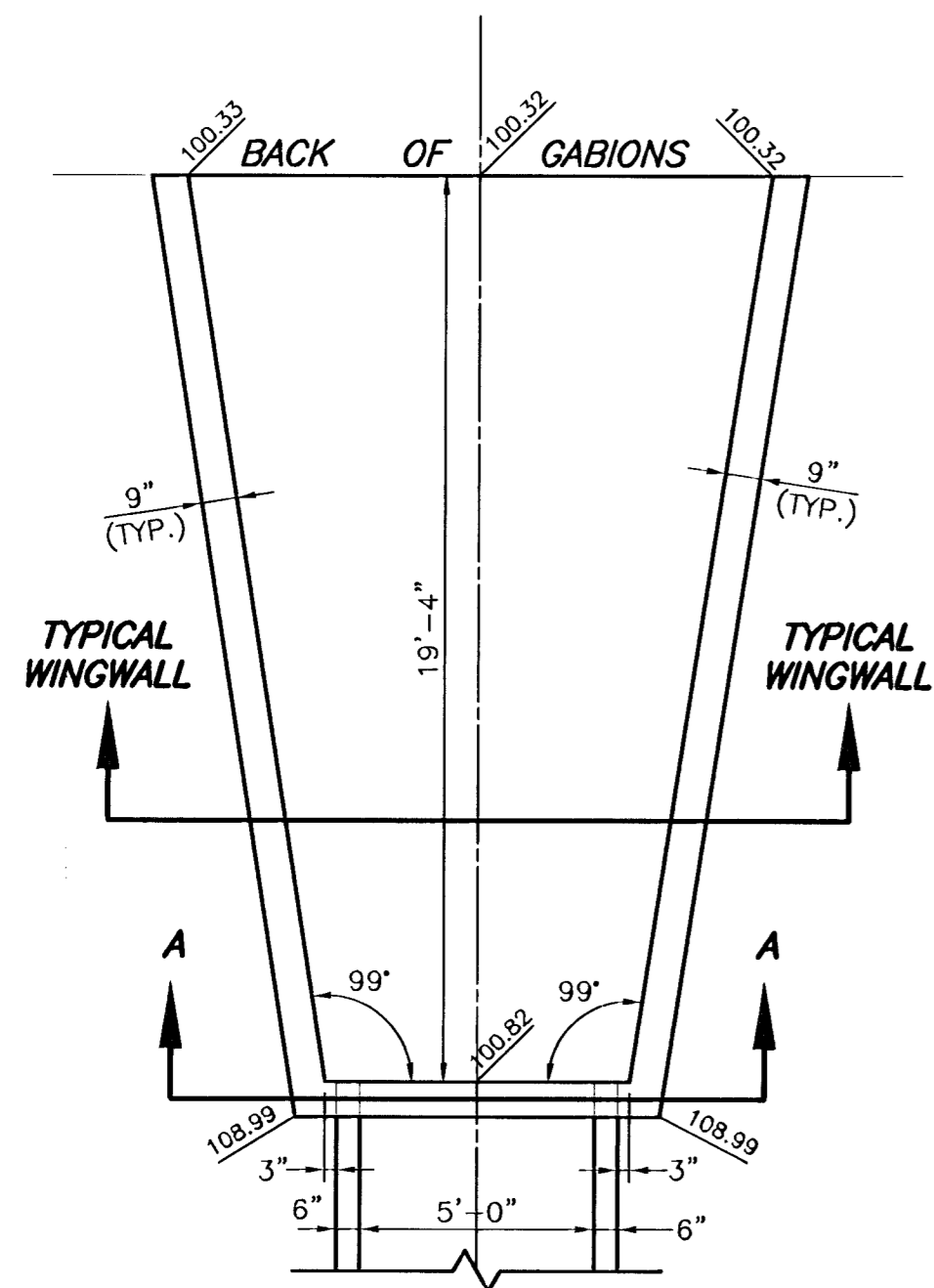
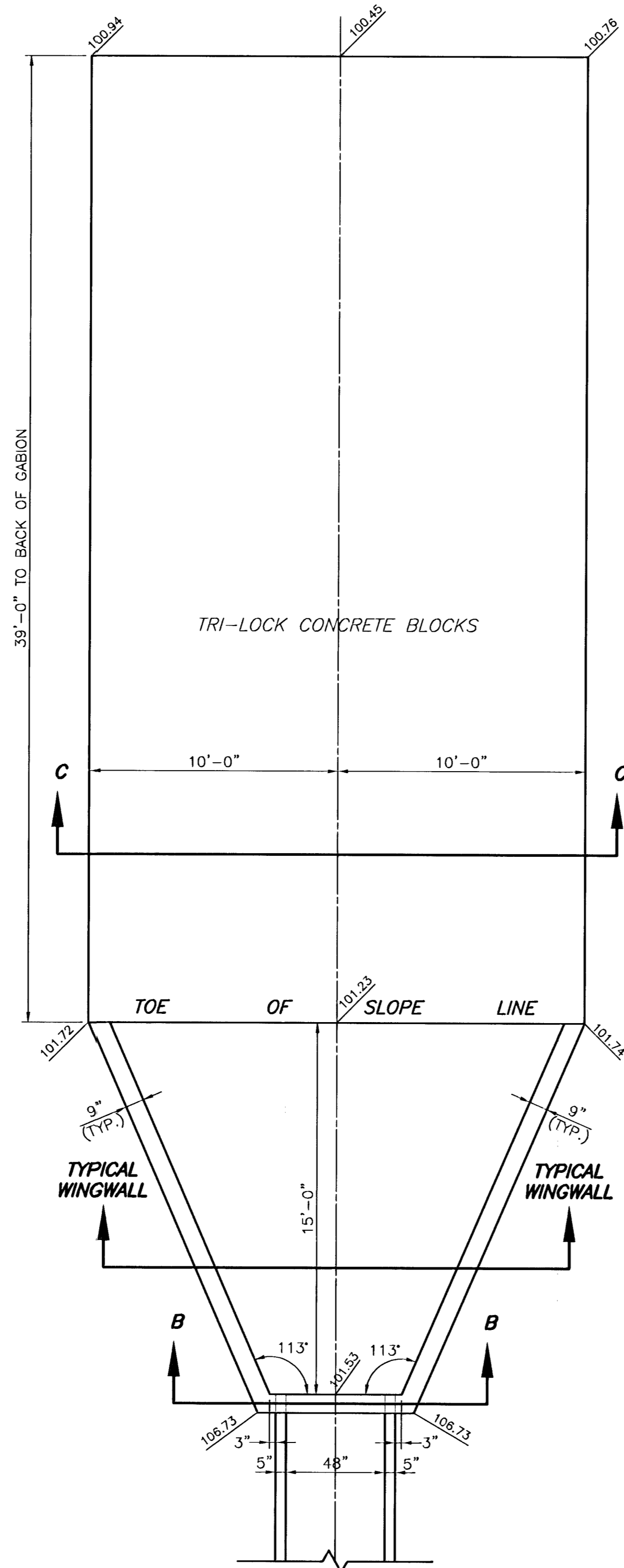


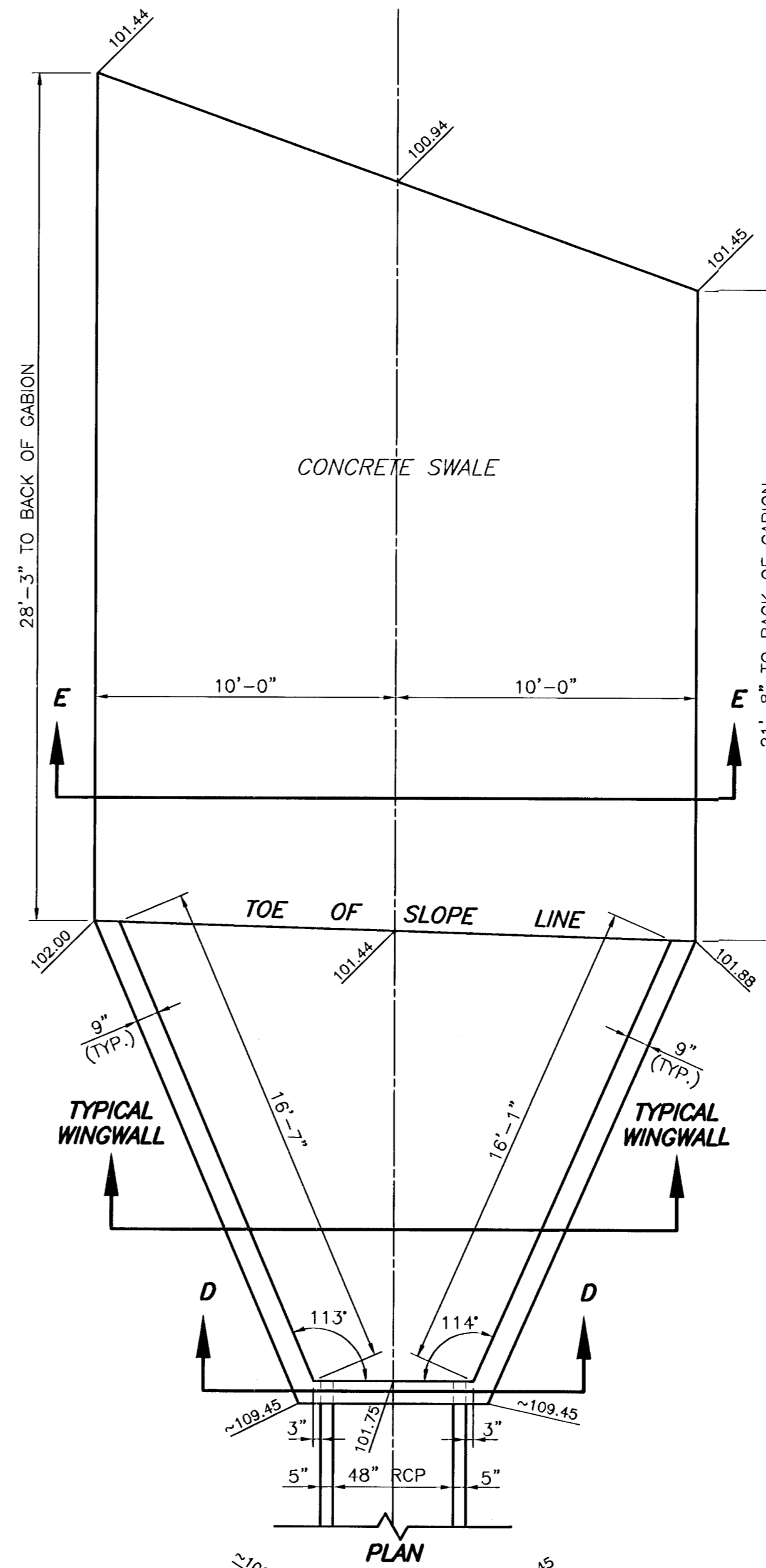
NOTE:
 EXTEND REINFORCING OF CONCRETE PRE-CAST SECTIONS 8" INTO CAST-IN-PLACE HEADWALLS. DRILLED AND GROUTED DOWELS WILL NOT BE ACCEPTED. WHERE CASTING A HEADWALL AROUND A PRE-CAST SECTION THE AREA TO BE CAST INTO THE HEADWALL SHALL BE SAND BLASTED JUST PRIOR TO CASTING. THE CAST-IN-PLACE HEADWALL SHALL BE CAST ALL THE WAY AROUND PRE-CAST PIPE OR BOX CULVERT SECTIONS. SEE DETAIL ON SHEET 25.



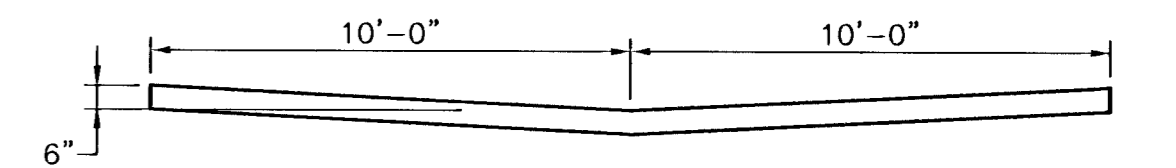
**SECTION AA
 HEADWALL DETAIL**
 STA. 90+37.2, 35.9' LT



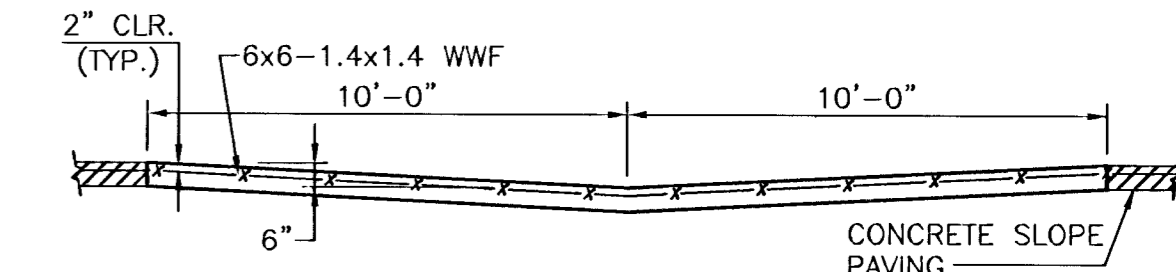
**SECTION BB
 HEADWALL DETAIL**
 STA. 98+71.8, 57.0' RT



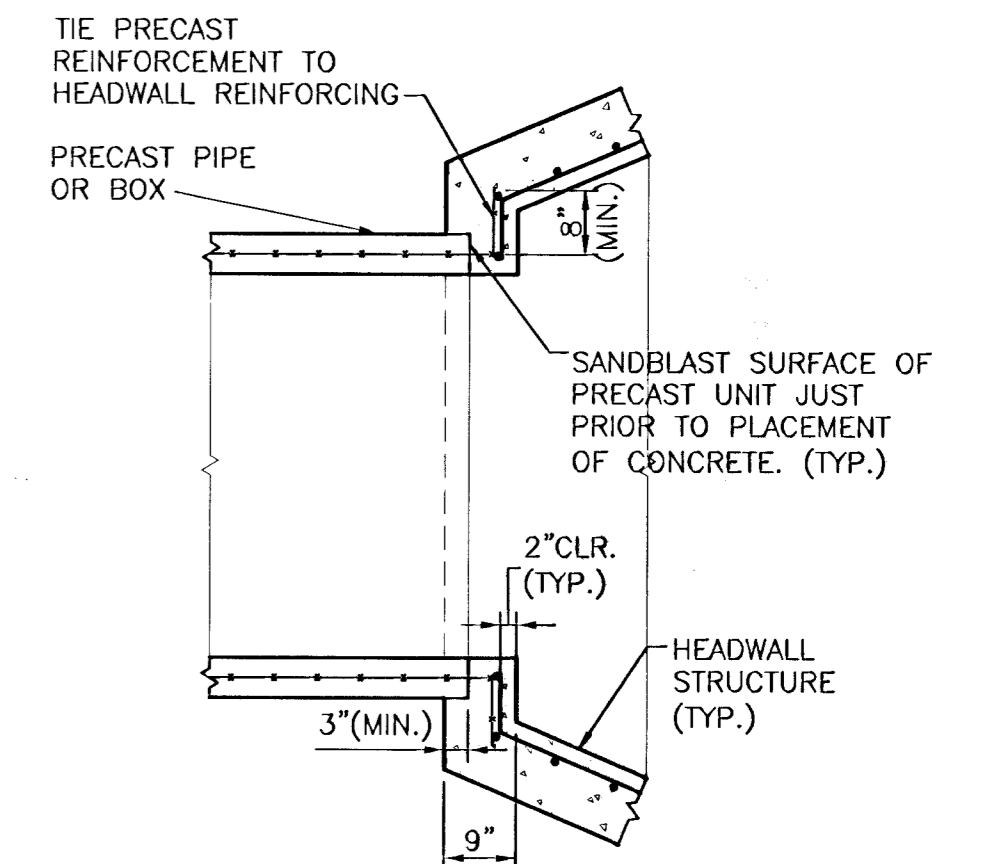
**SECTION DD
 HEADWALL DETAIL**
 STA. 104+41.6, 59.0' RT



**SECTION CC
 TRI-LOCK CONCRETE BLOCKS**
 STA. 98+71.8, 3.0' RT



**SECTION EE
 CONCRETE SWALE SECTION**
 STA. 104+41.6, 43.3' RT



**PRE-CAST PIPE/BOX SECTION
 CONNECTION DETAIL**

NOTE:
 SEE SHEET 23 FOR TYPICAL HEADWALL AND WINGWALL



**AREA "K" PART 2 - PHASE 2
 WICHITA DRAINAGE CANAL**
 PROJECT NAME

HEADWALL DETAILS & SECTIONS
 SHEET TITLE

JNJ DESIGN BY	RSB DRAWN BY	TKM CHECKED BY
JAN. 2001 DATE	94011 JOB NO.	25 / 47 SHEET / OF