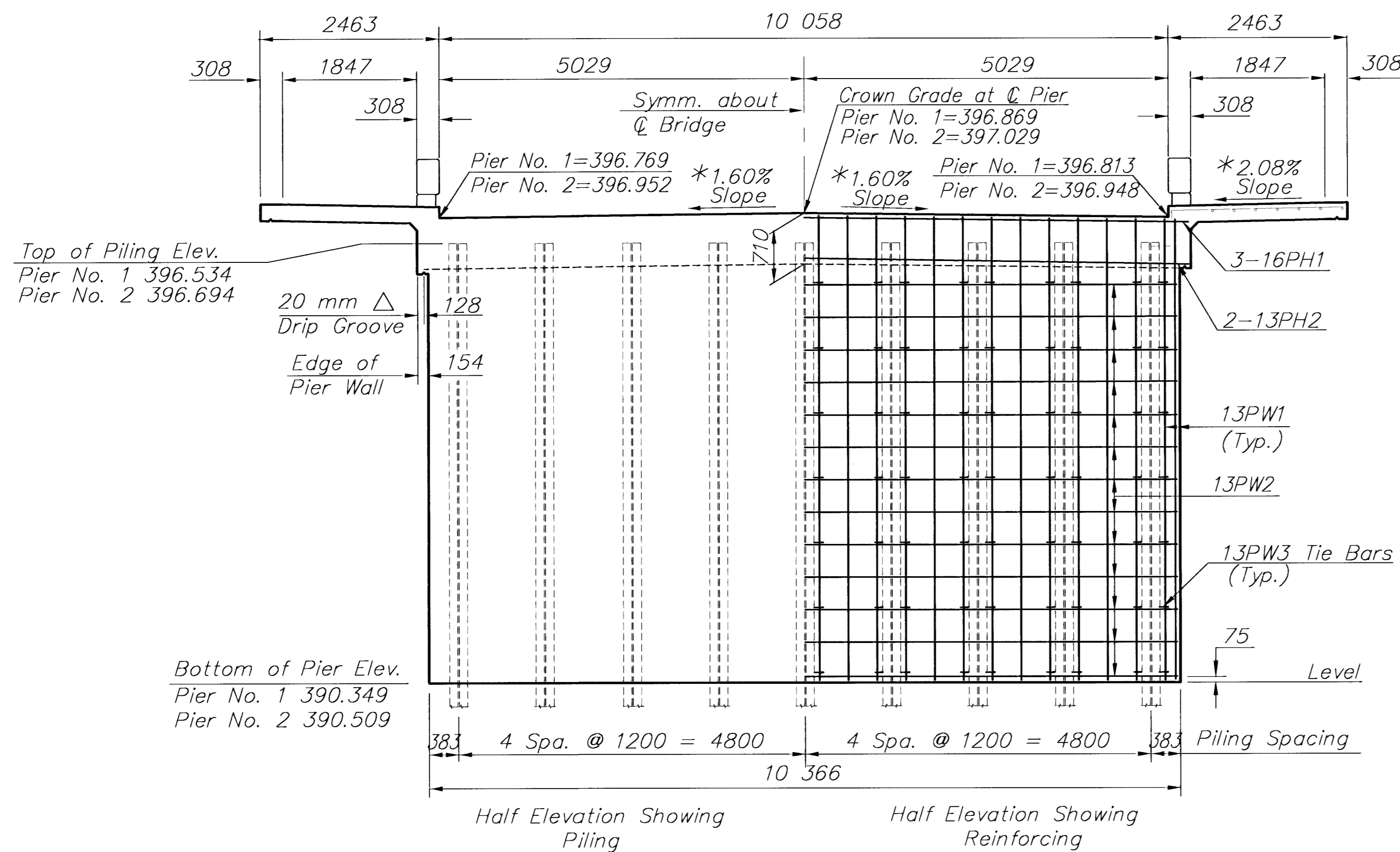
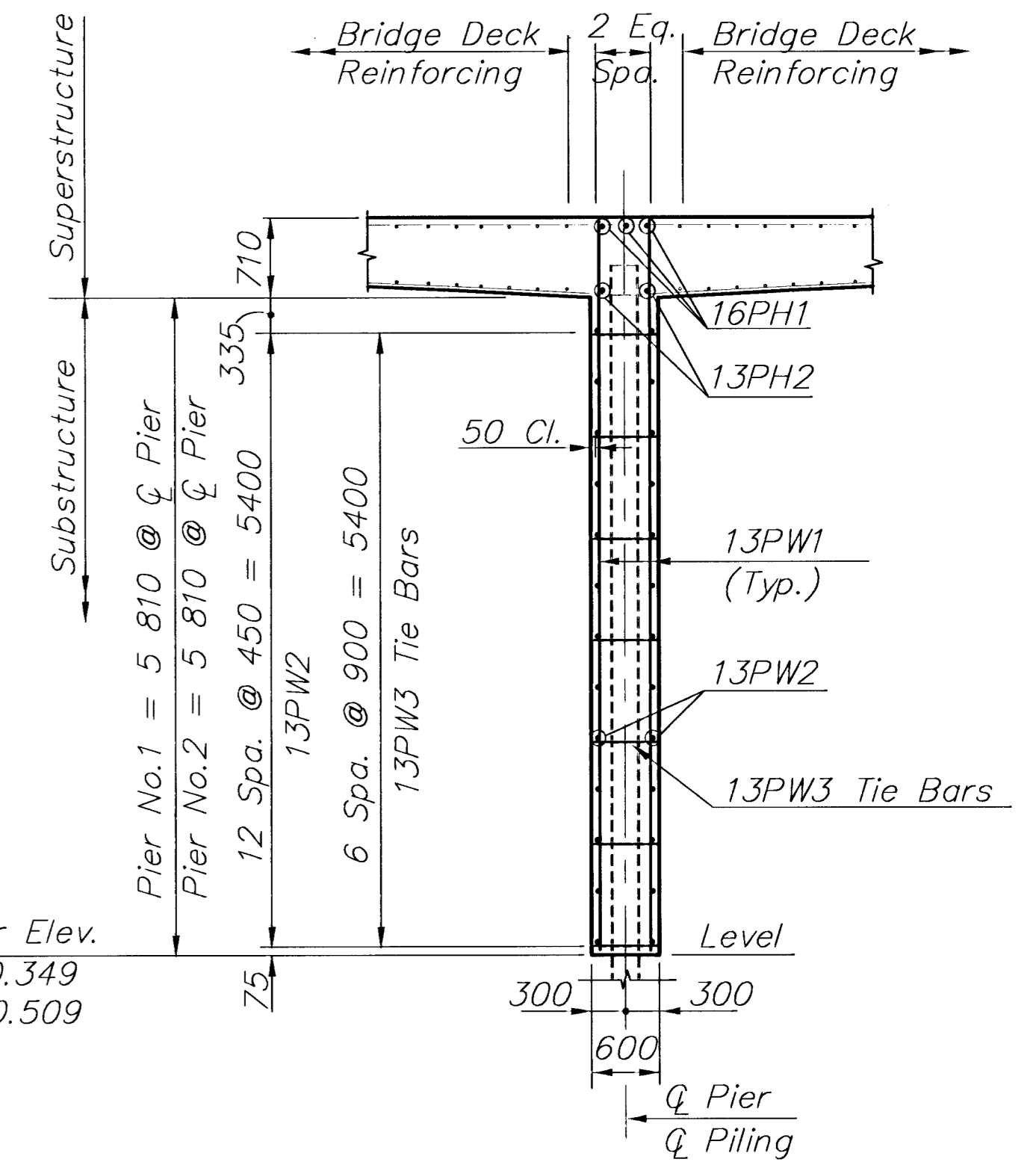


Reinforcing Shown in Bottom of Pier Head **PLAN** Reinforcing Shown in Top of Pier Head

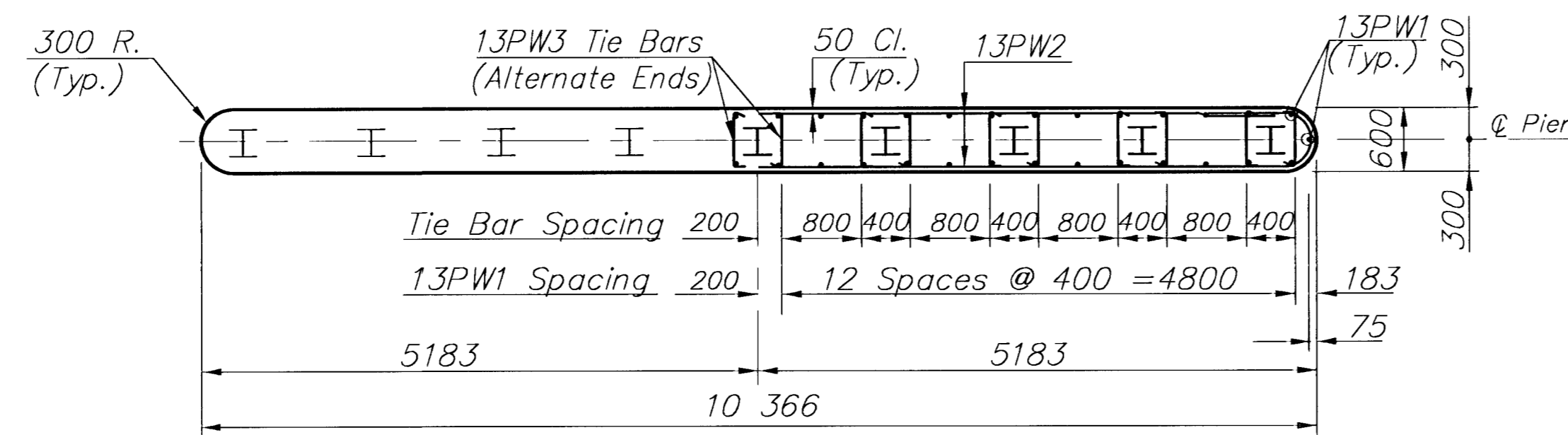


ELEVATION
(Along Q Pier)

* Slopes are normal to Q Bridge



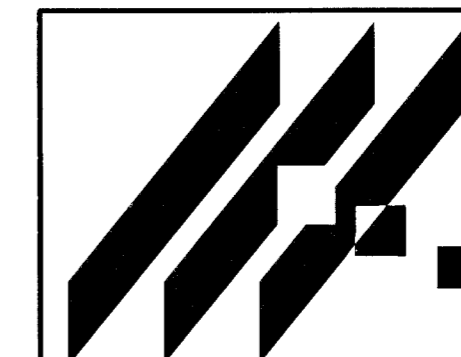
TYPICAL SECTION THRU PIER



PIER WEB WALL PLAN

PIER PILE LOADING

Design	Allowable
Group I Loading 491 kN/Pile	500 kN/Pile



MID-KANSAS ENGINEERING
CONSULTANTS, INC.
411 N. WEBB ROAD
WICHITA, KS. 67206
316-684-9600

MURDOCK AVENUE BRIDGE
PROJECT NAME

PIER DETAILS
SHEET TITLE

KJS DESIGN BY.	DPG DRAWN BY.	PAF CHECKED BY.
FEB. 1999 DATE	97042 JOB NO.	16 / 39 SHEET / OF