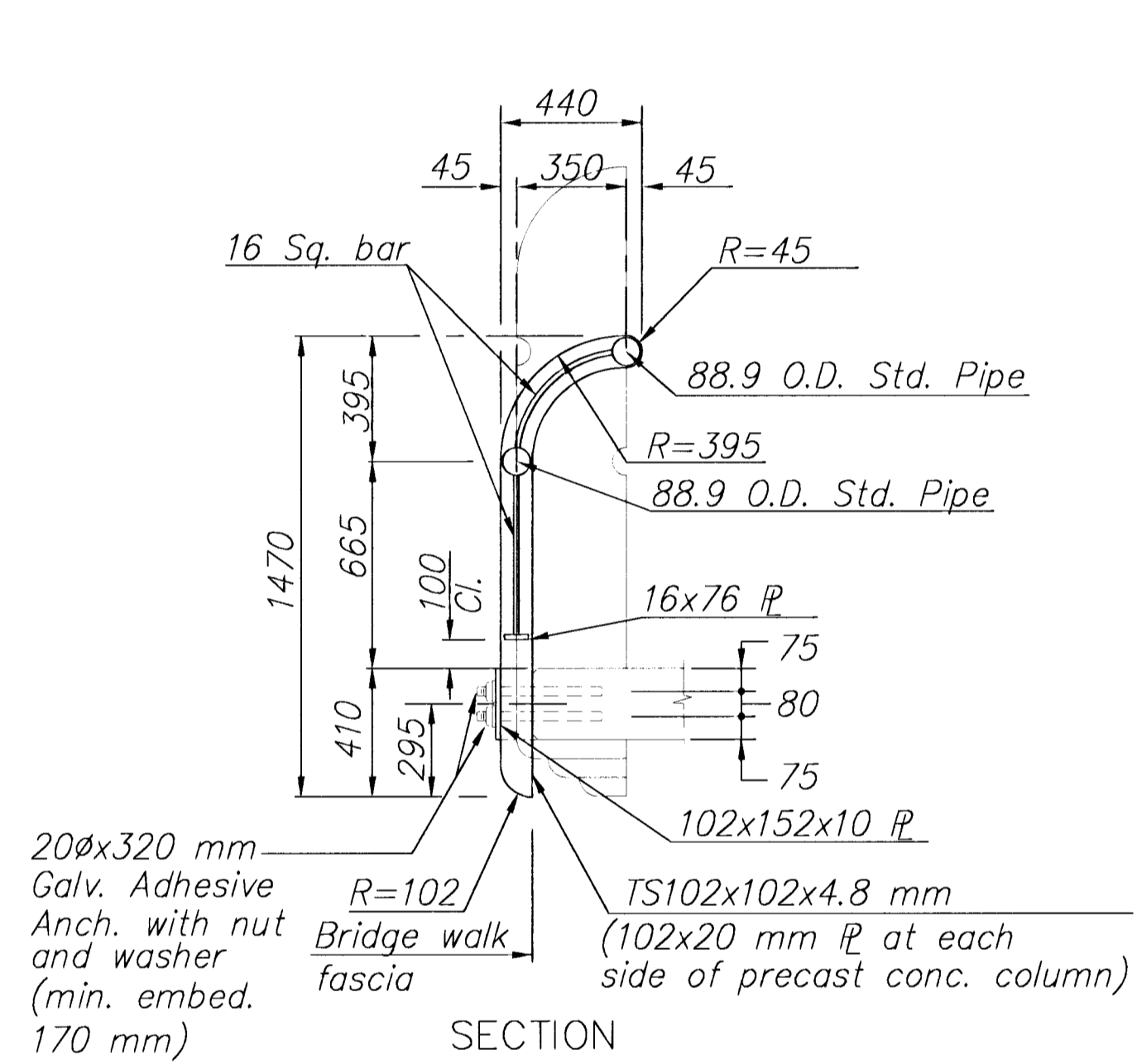
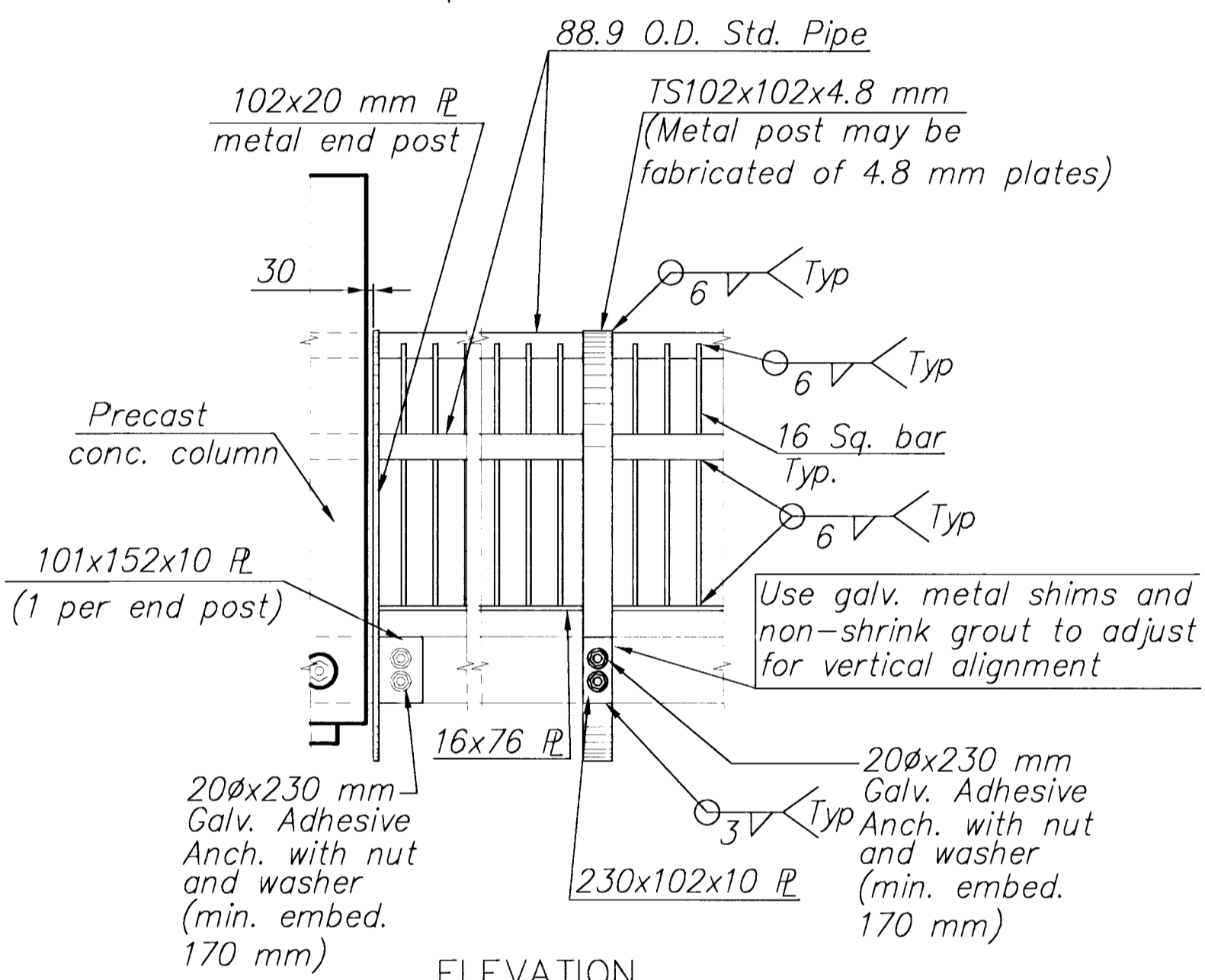


HALF ELEVATION

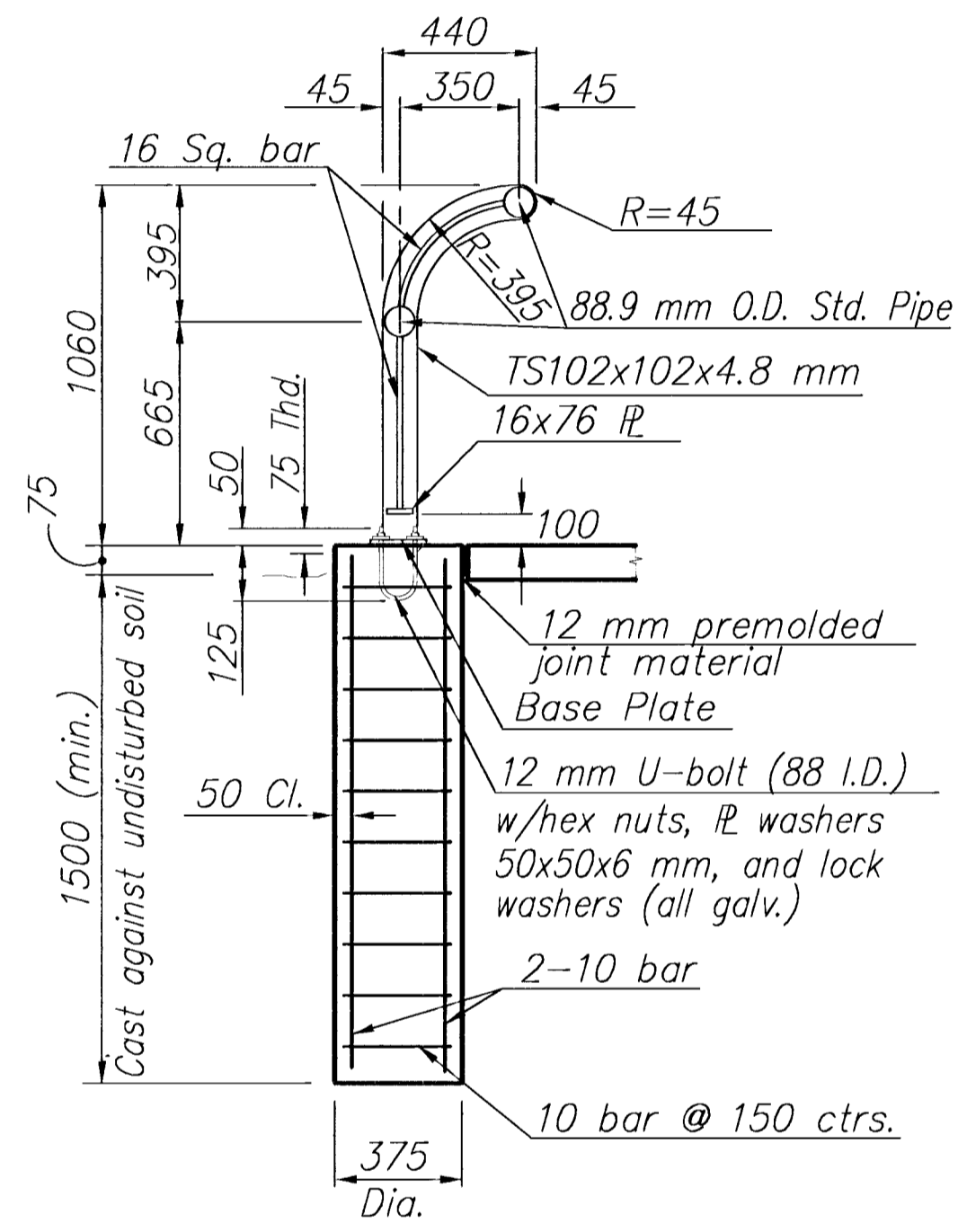


SECTION

PEDESTRIAN HANDRAIL DETAIL



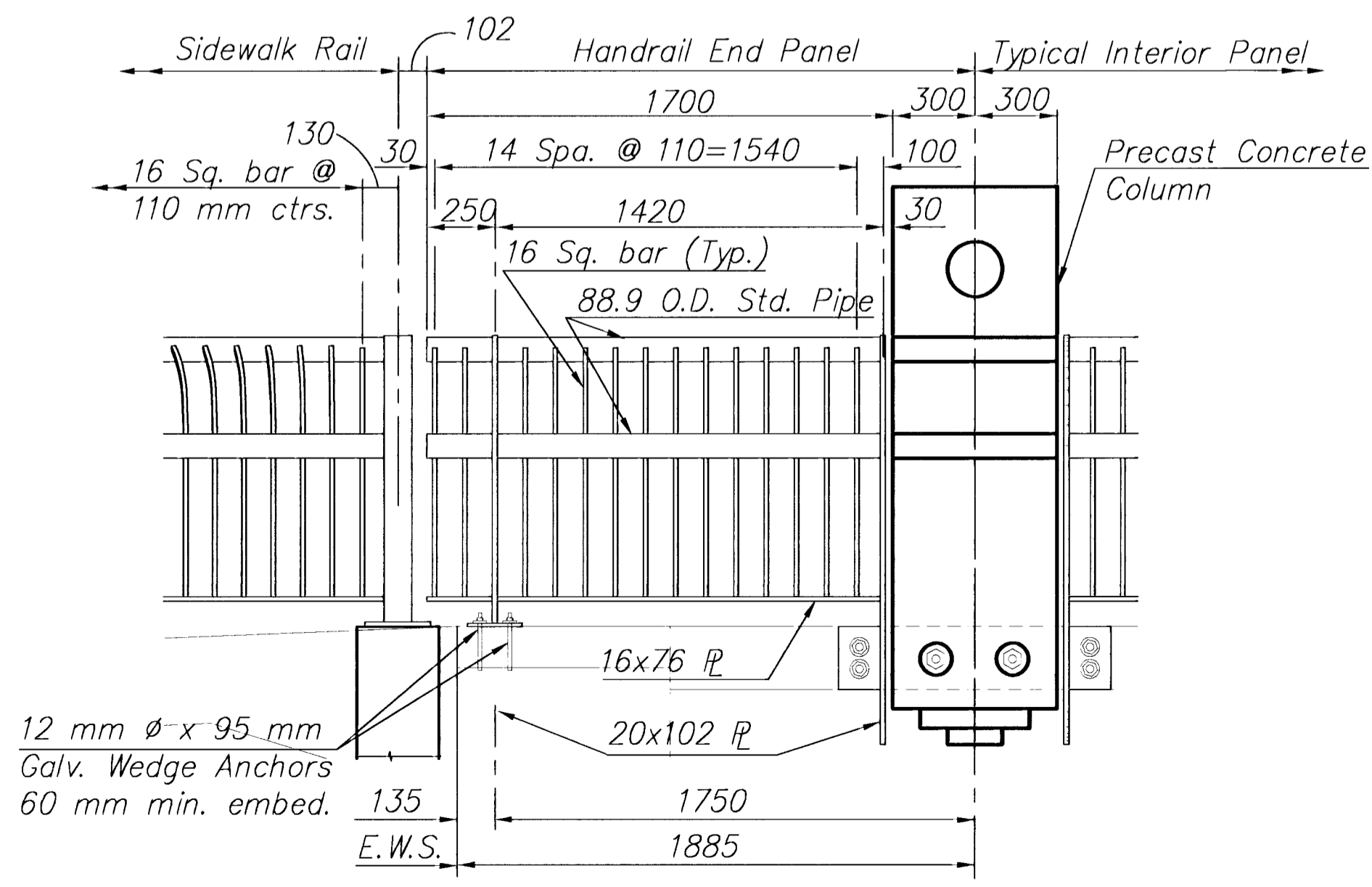
ELEVATION



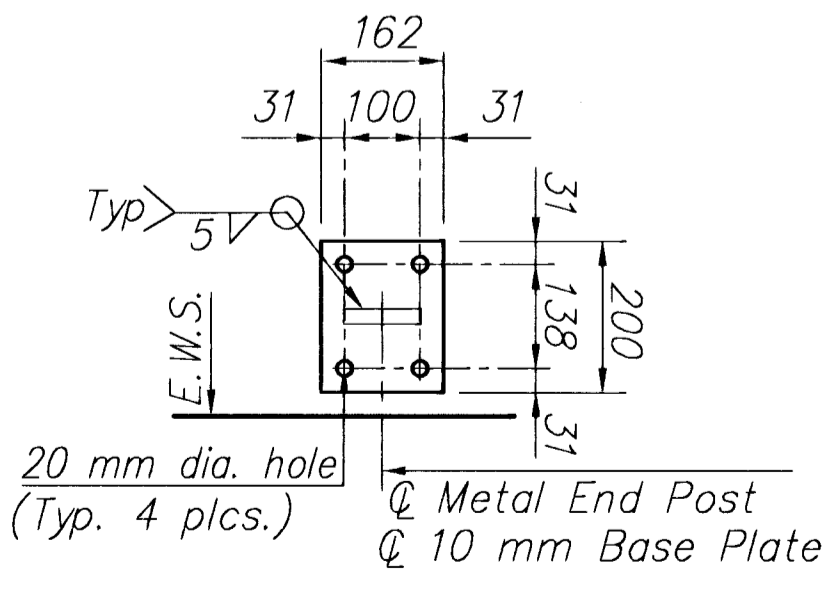
CONCRETE END POST DETAIL

NOTES:

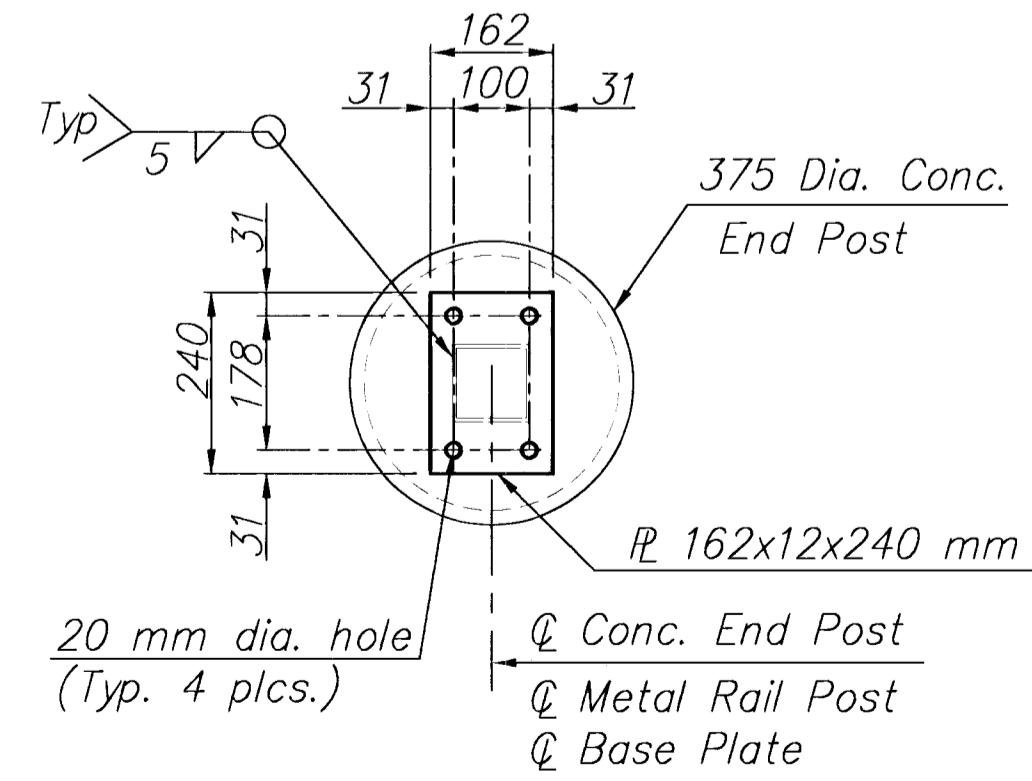
1. The plate and bar rail members shall conform to ASTM A36M. The tubular rail members shall conform to ASTM A500M Gr. B.
2. Rail shall be fabricated in lengths to include a minimum of two and a maximum of three panels. Shims may be used between concrete and base plates of posts.
3. All parts of Handrail shall be painted. The primer coat shall conform to the inorganic Zinc System. Surface preparation shall be in accordance with that for structural steel. The finish coat shall be Tnemec BB12 (Michael Rush, Tel: 316-686-4822), "Iris", applied as per manufactures recommendation. The Contractor shall submit color chart for approval by the City.
4. Grade 30 Concrete (AE) shall be used for concrete end post. All reinforcing shall conform to ASTM A615M Grade 420.
5. All material, equipment and labor necessary for the installation of the bridge handrail shall be subsidiary to the bid item.



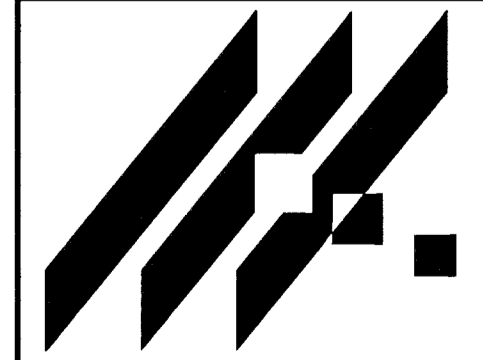
HANDRAIL END PANEL



METAL END POST BASE PLATE DETAIL



BASE PLATE DETAIL



MURDOCK AVENUE BRIDGE
PROJECT NAME

PEDESTRIAN BRIDGE HANDRAIL
SHEET TITLE

MID-KANSAS ENGINEERING
CONSULTANTS, INC.
411 N. WEBB ROAD
WICHITA, K.S. 67206
316-684-9600

JG DESIGN BY.	DPG/MLW DRAWN BY.	PAF CHECKED BY.
FEB. 1999 DATE	97042 JOB NO.	19 / 39 SHEET/OF