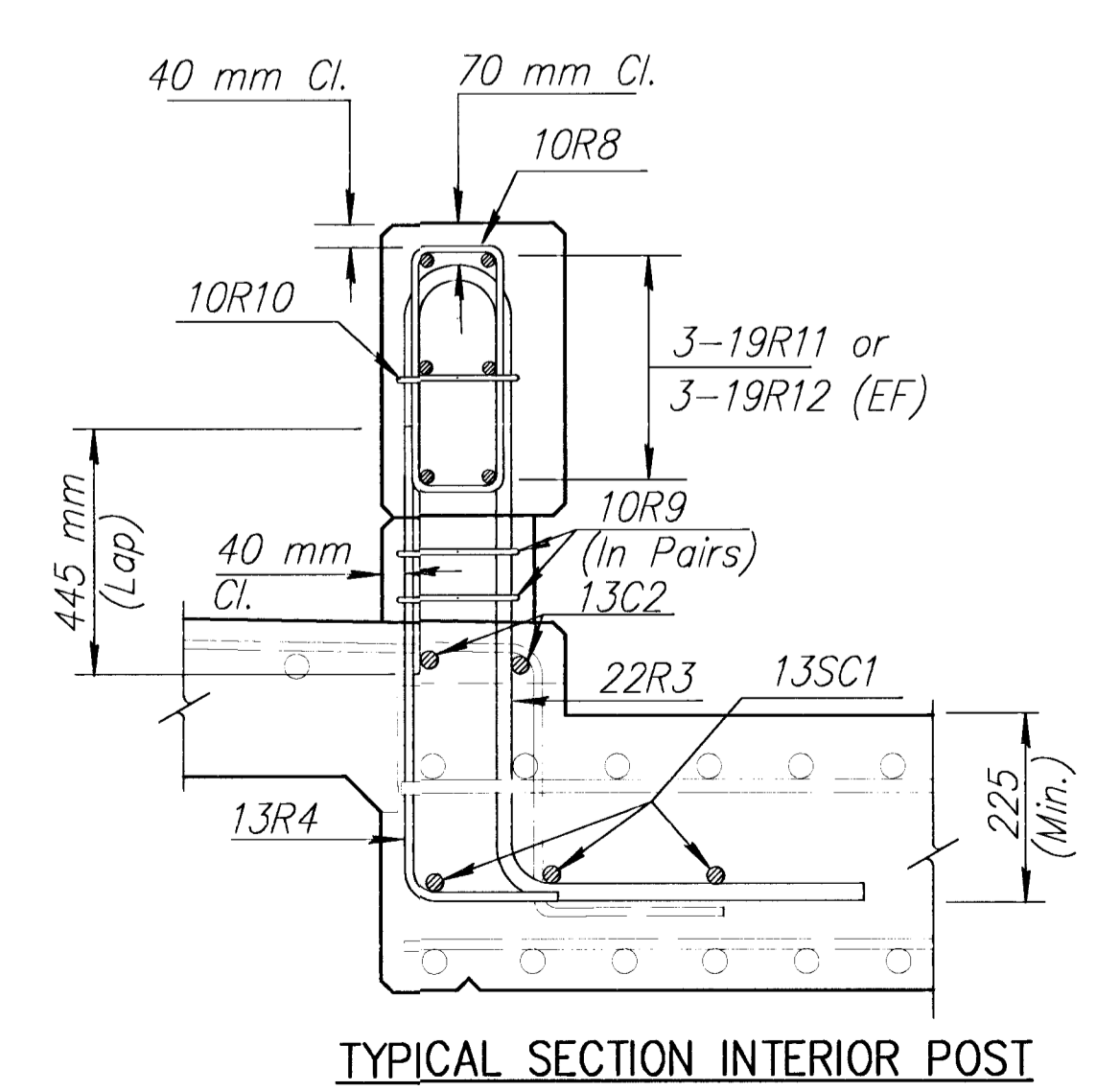
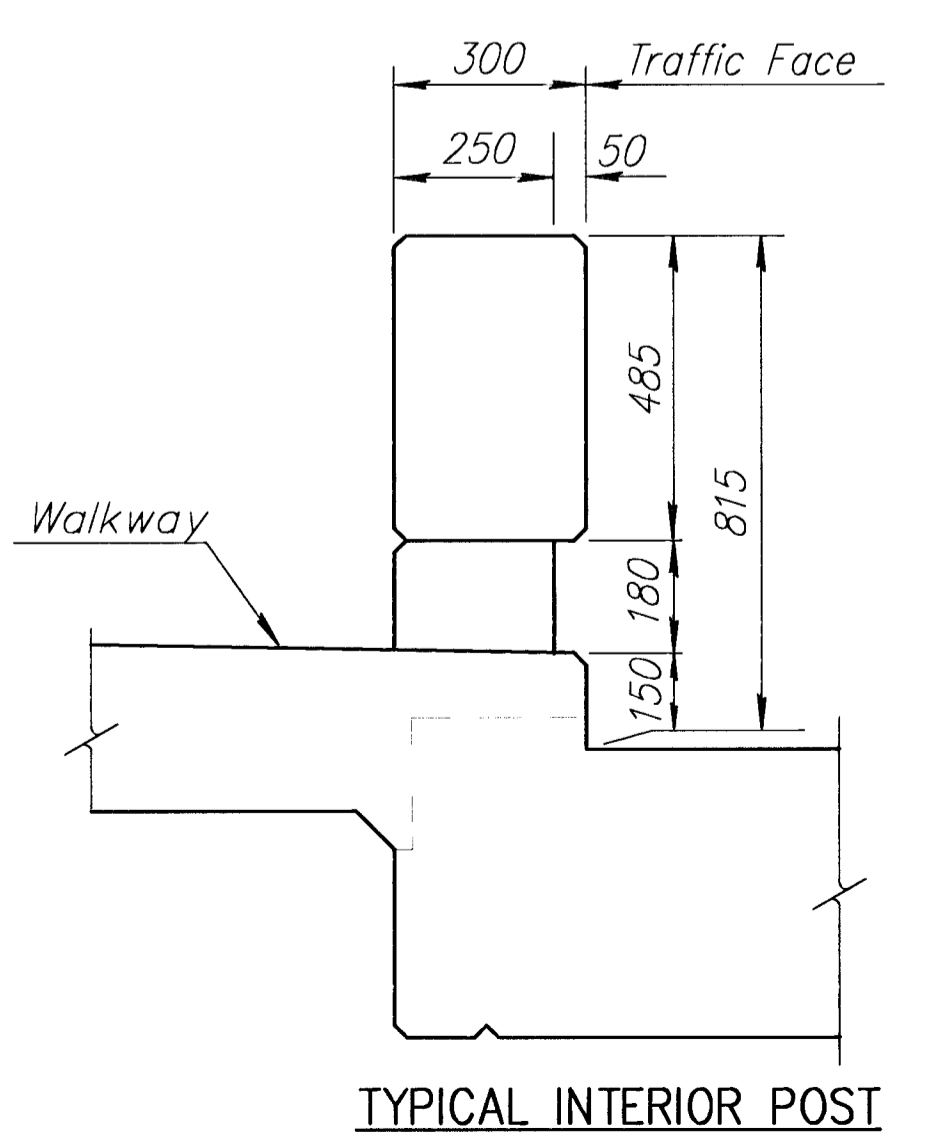
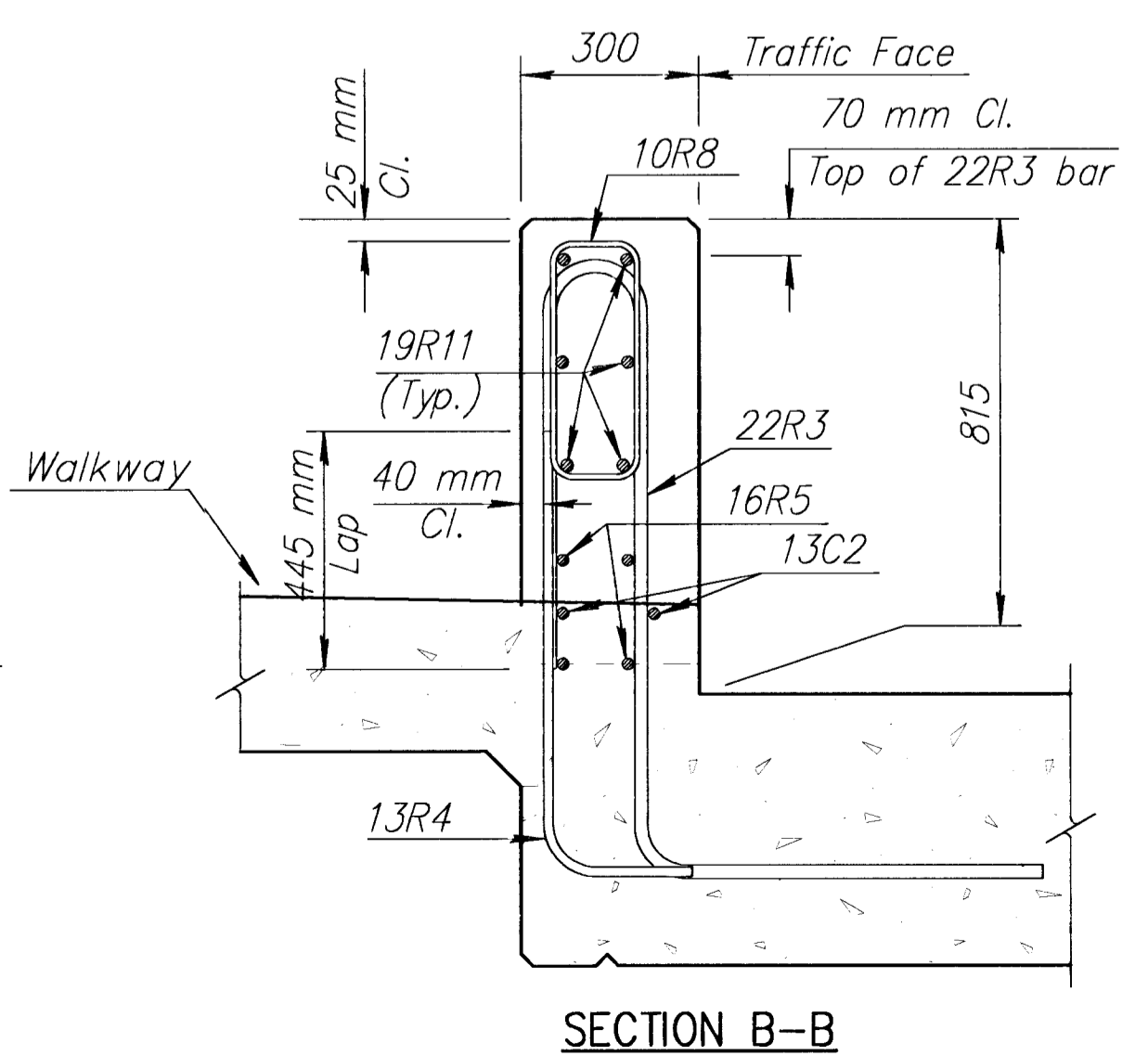
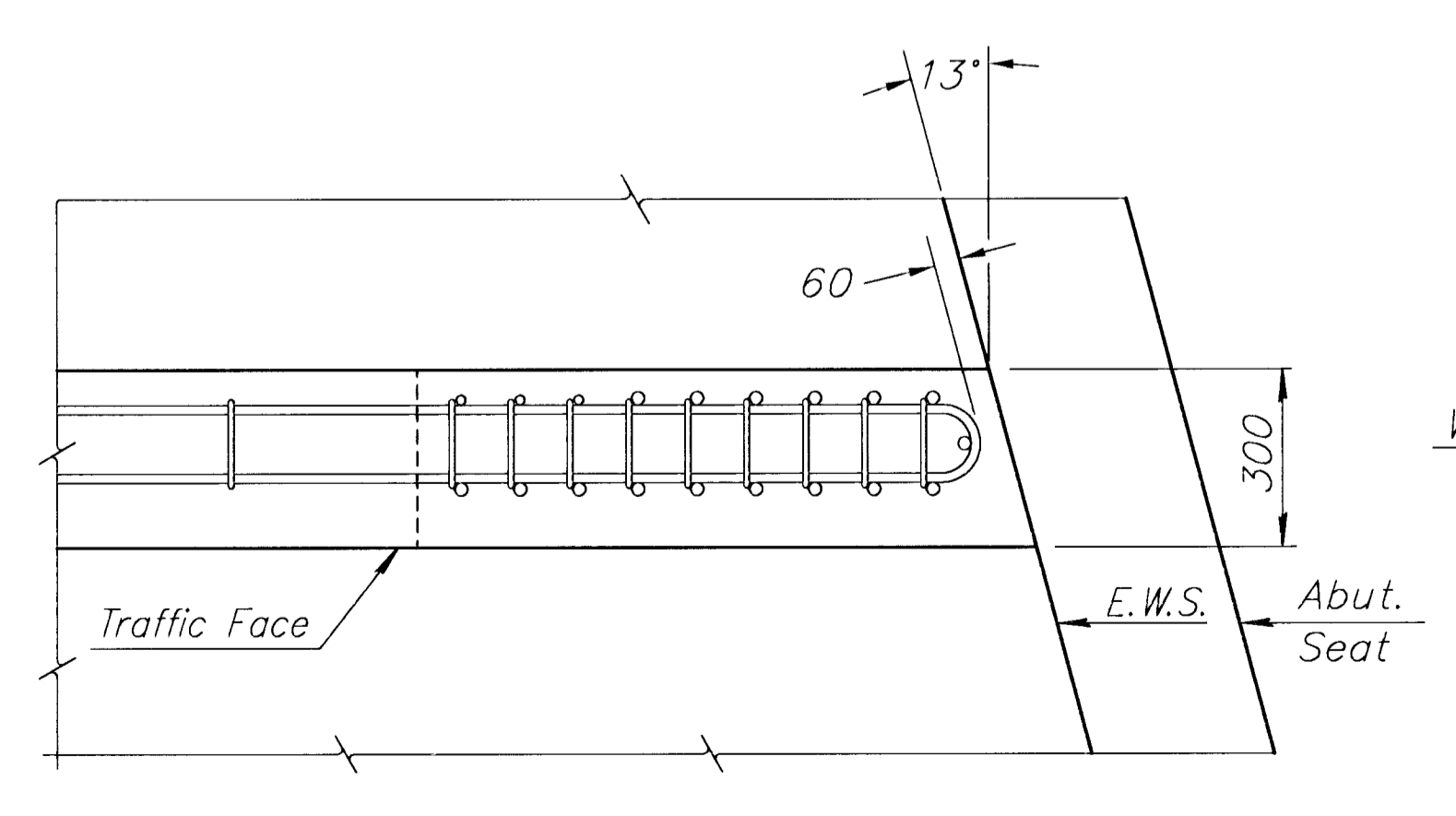
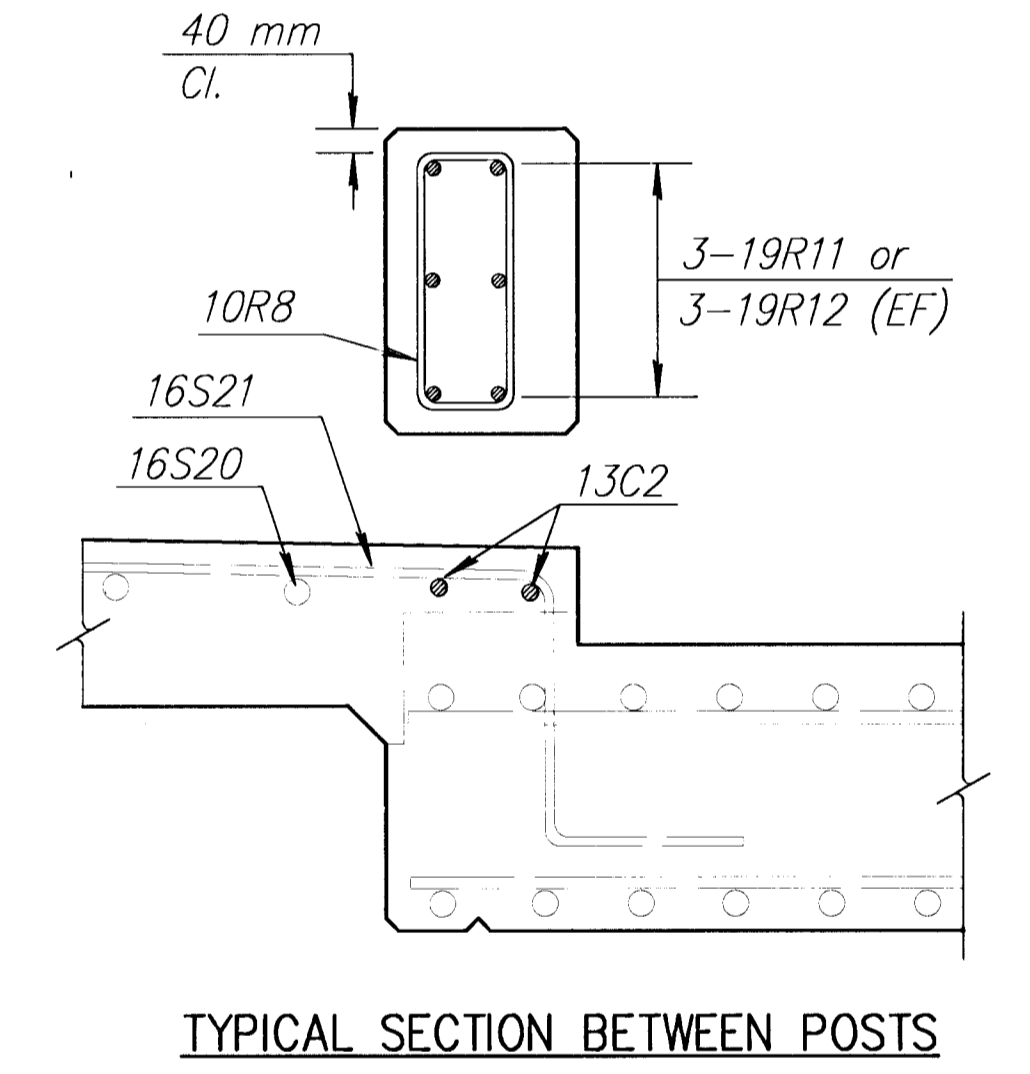
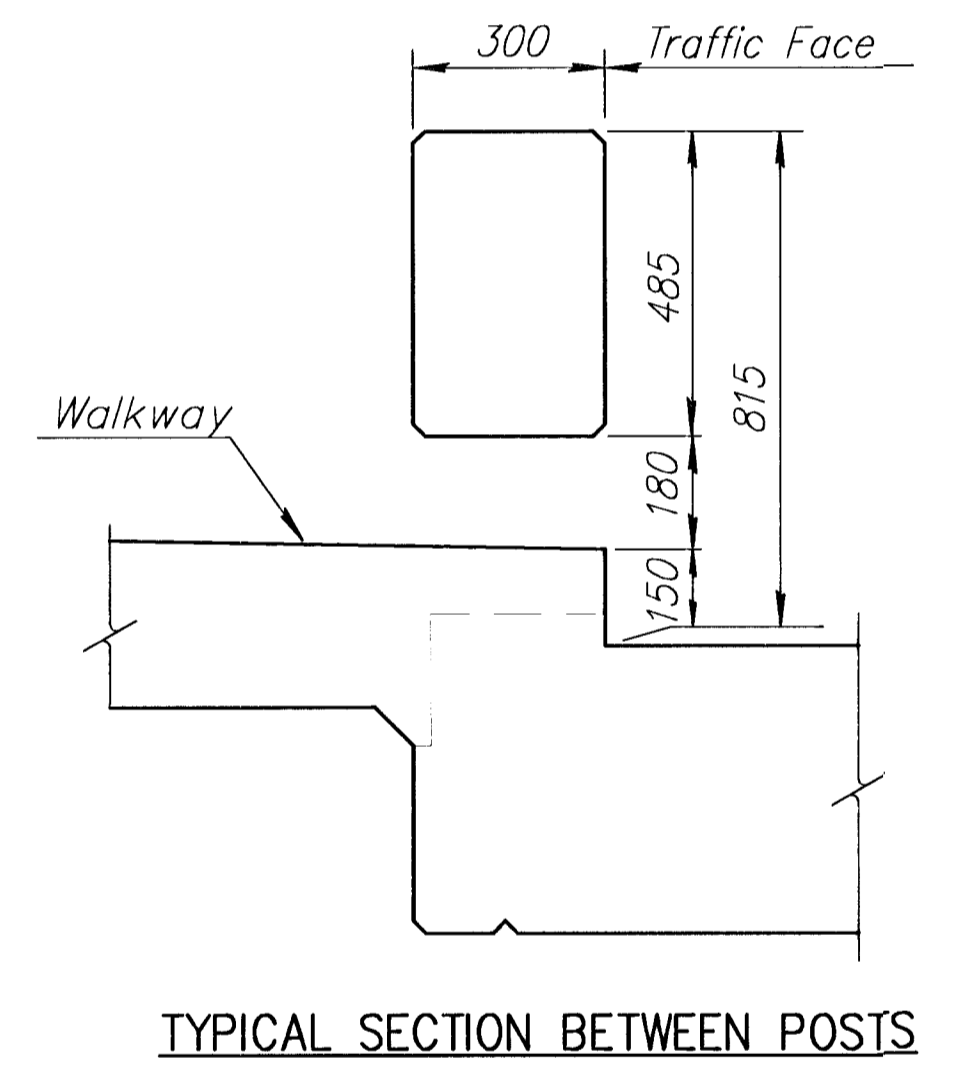
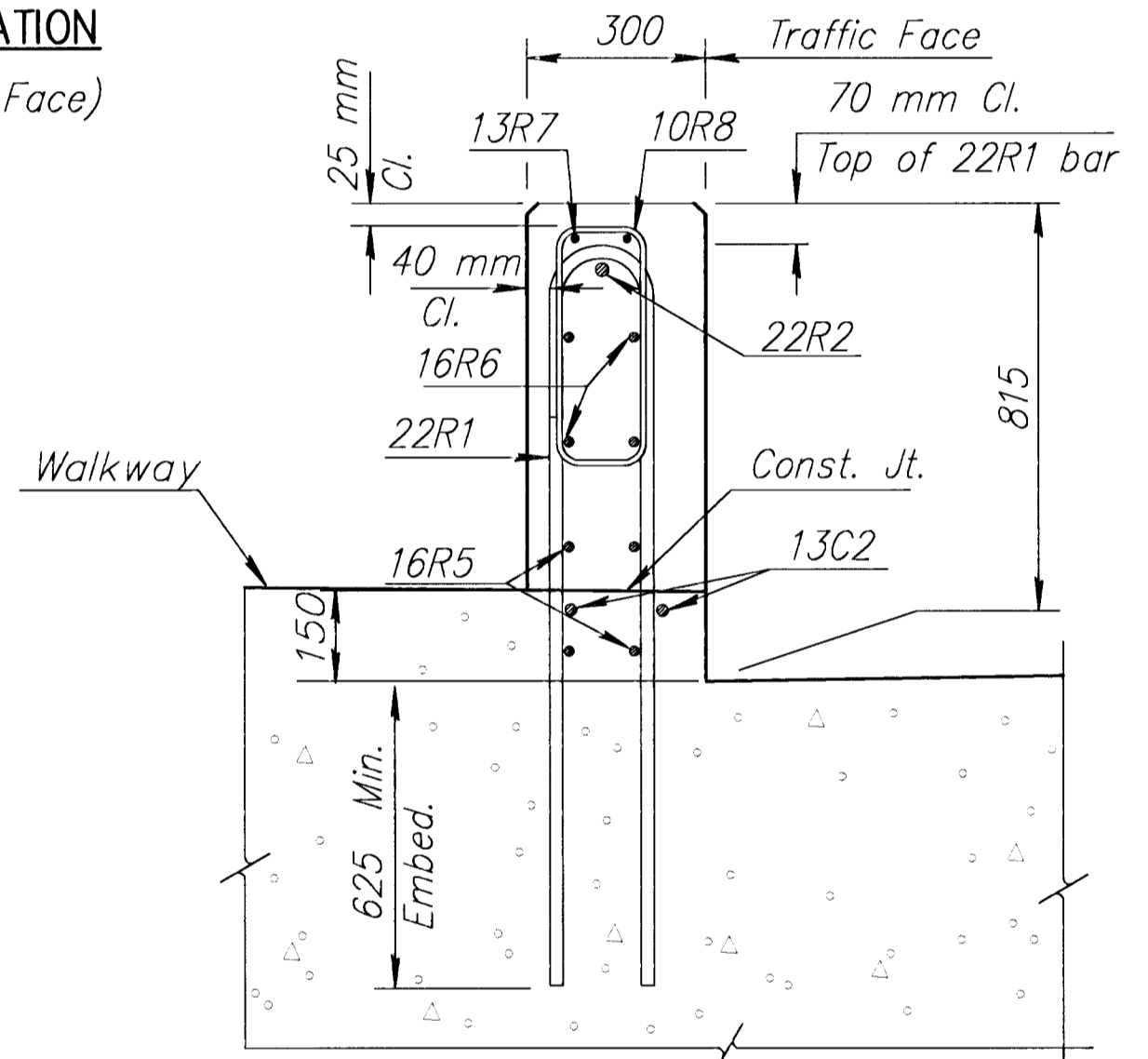
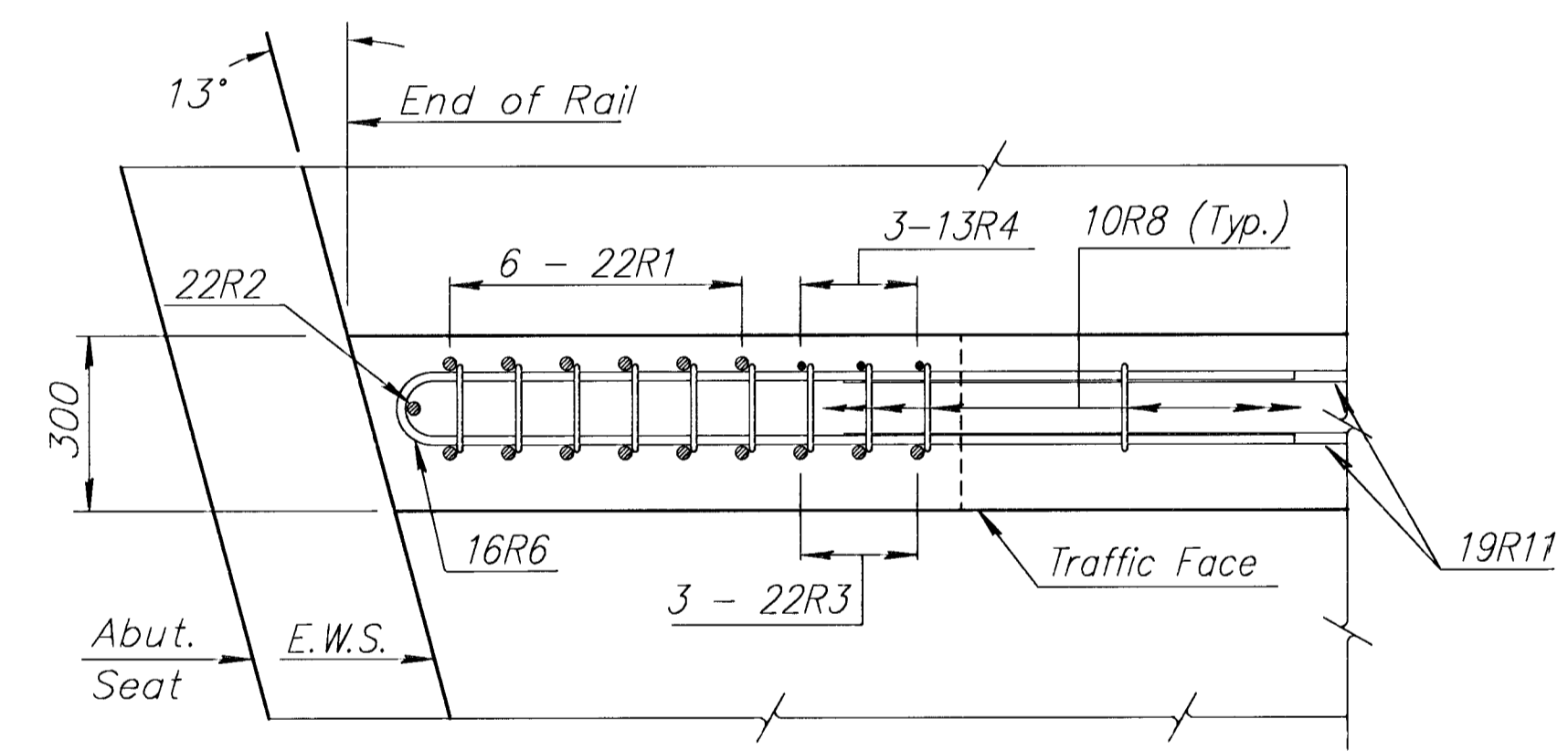
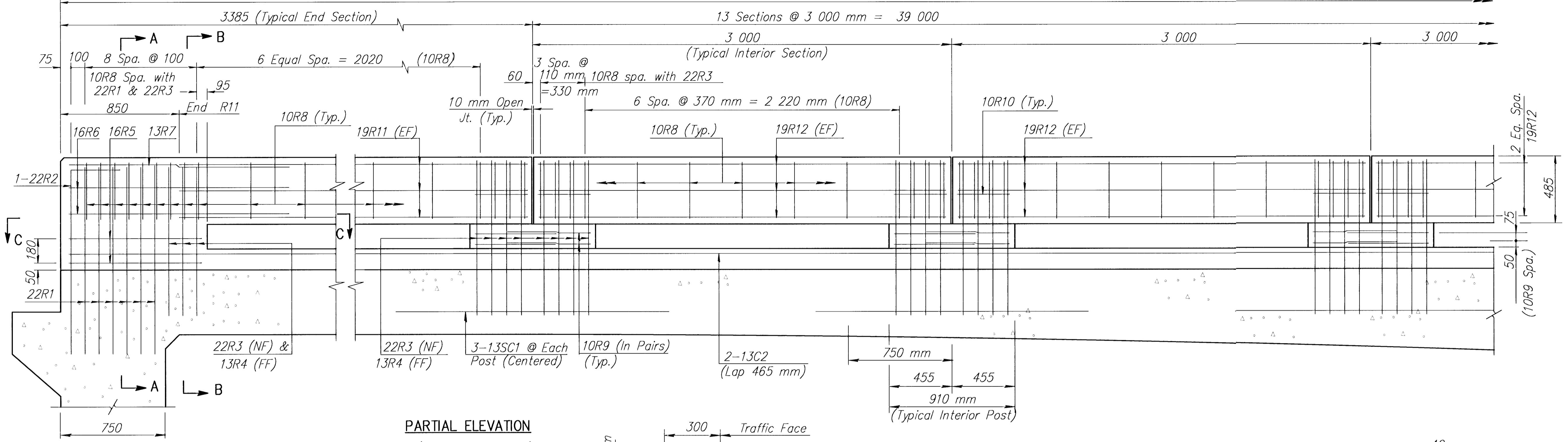


45 770 End to End of Rail



LEGEND
NF = Near Face
FF = Far Face
EF = Each Face

2					
1					
NO.	DATE	REVISIONS	BY	APP'D	
KANSAS DEPARTMENT OF TRANSPORTATION					
GUIDELINES FOR THE KANSAS CORRAL RAIL					
PROJ. NO. 472-82784			SEDGWICK CO.		
MID-KANSAS ENGINEERING CONSULTANTS, INC. WICHITA, KANSAS					
DESIGNED BY:	KJS	CHECKED BY:	PAF		
DRAWN BY:	DPG	DATE:	FEB. 1999	SHEET	21 OF 39