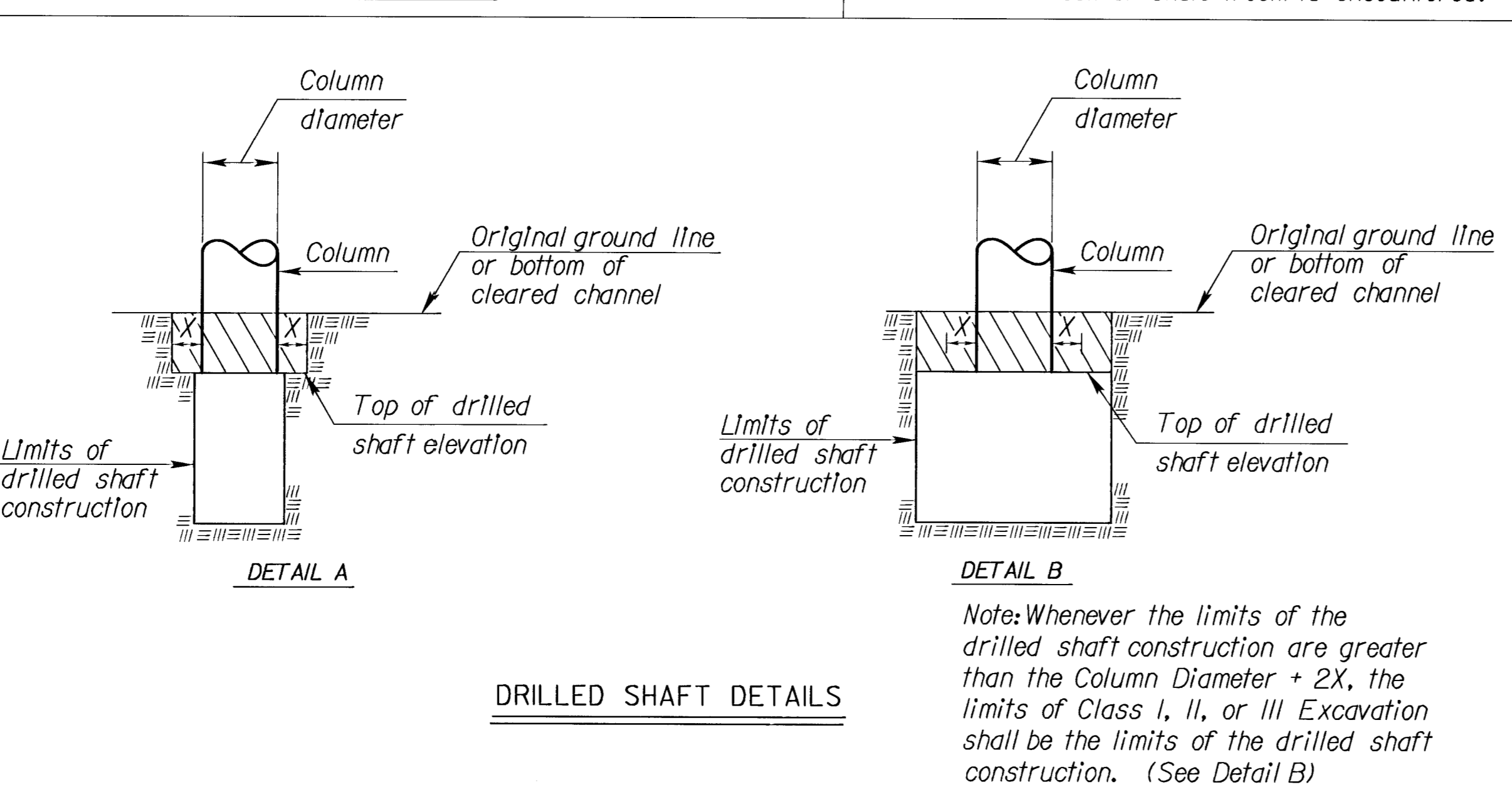
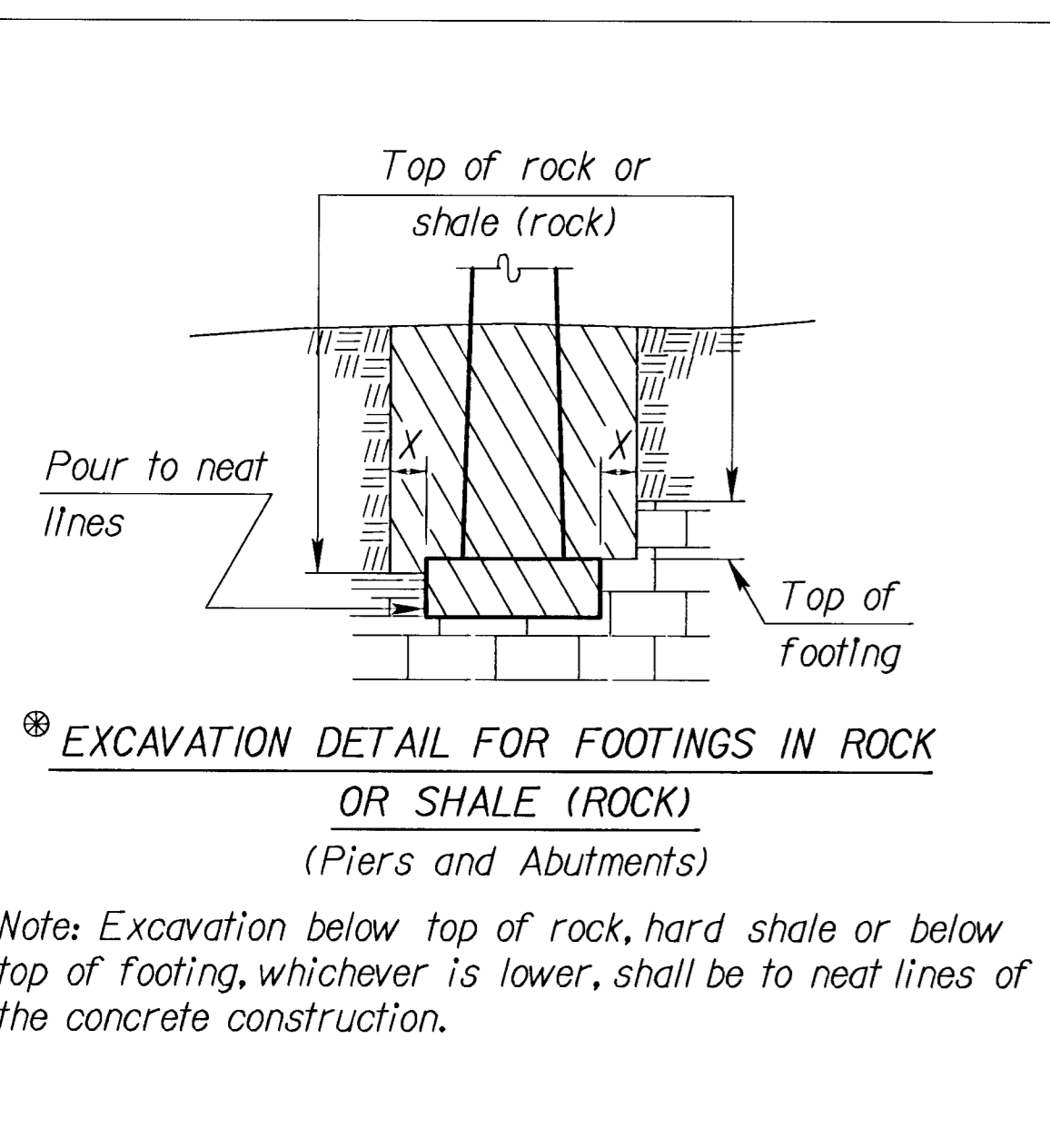
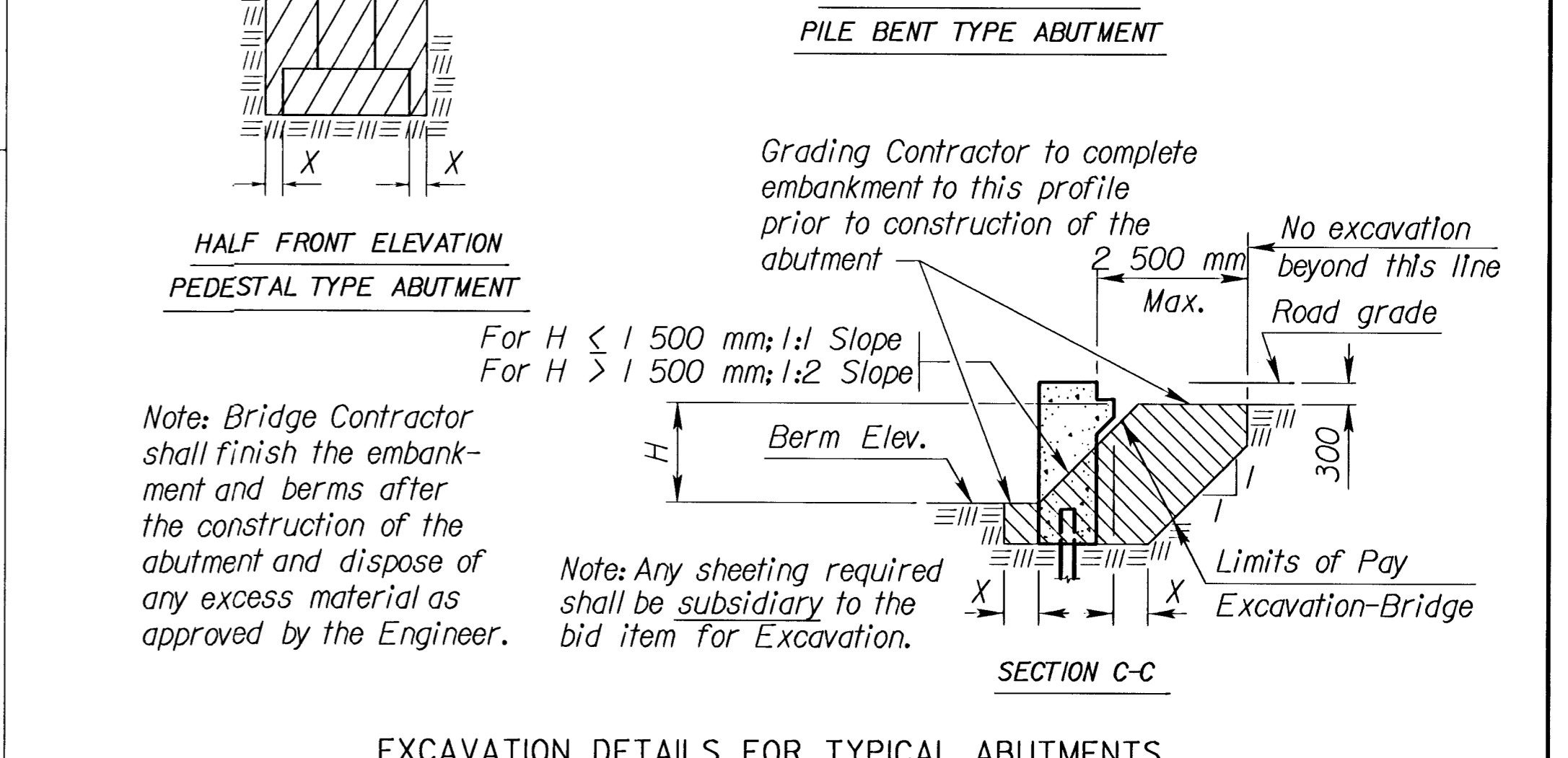
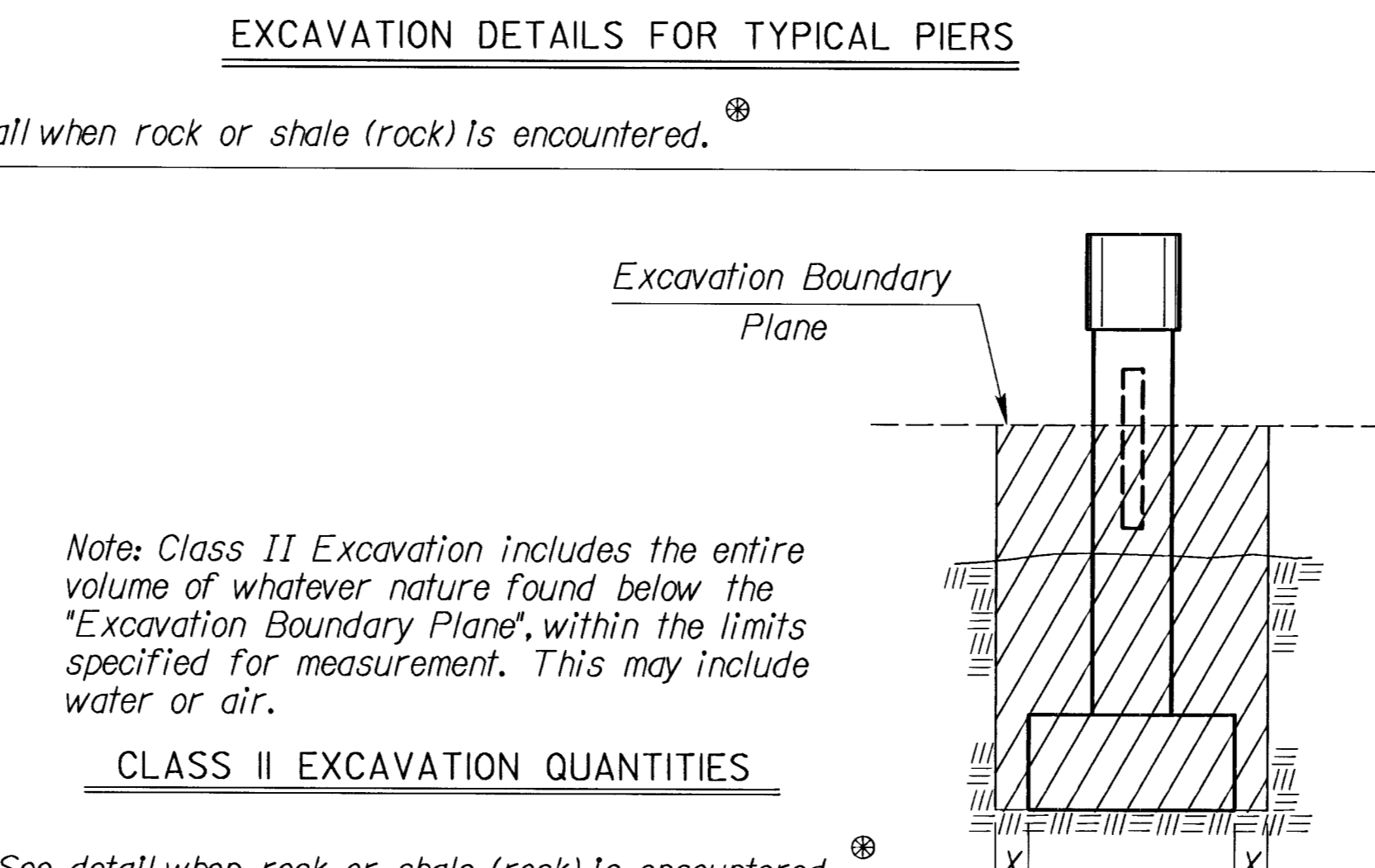
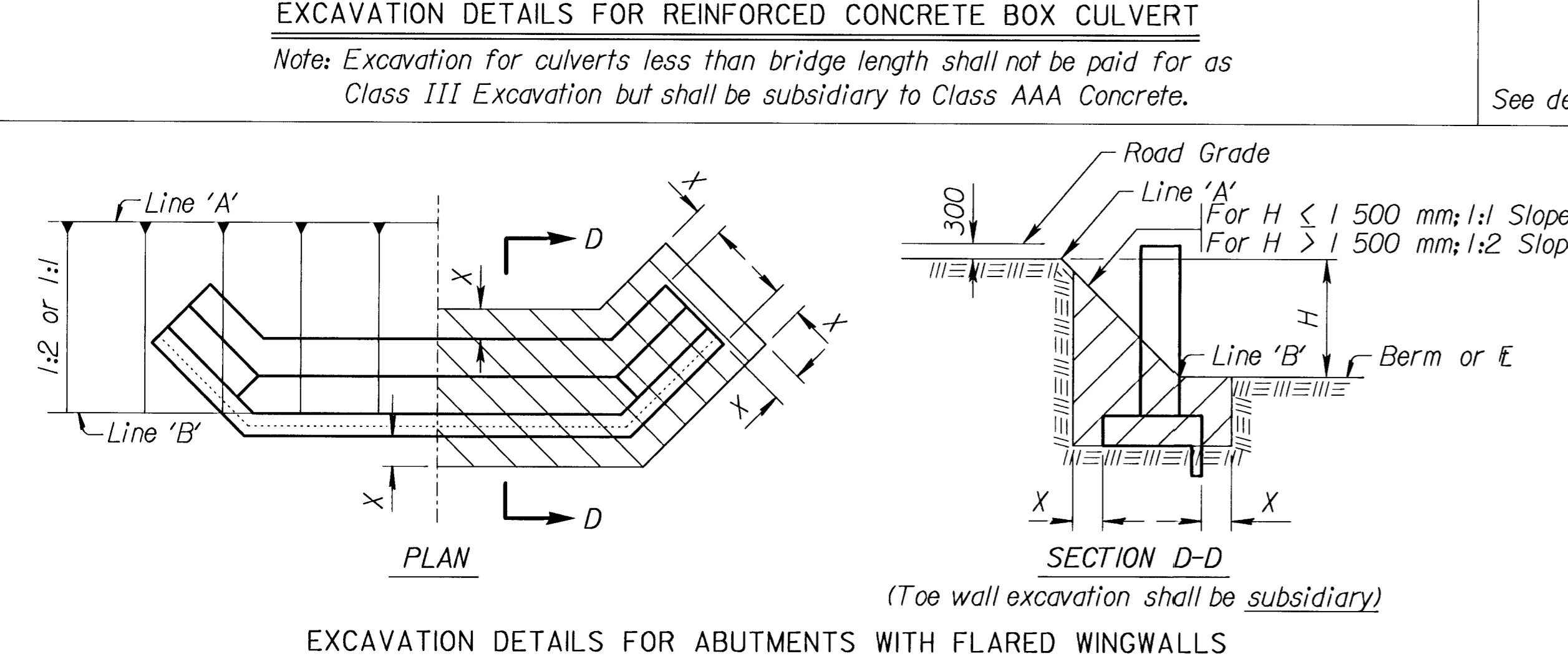
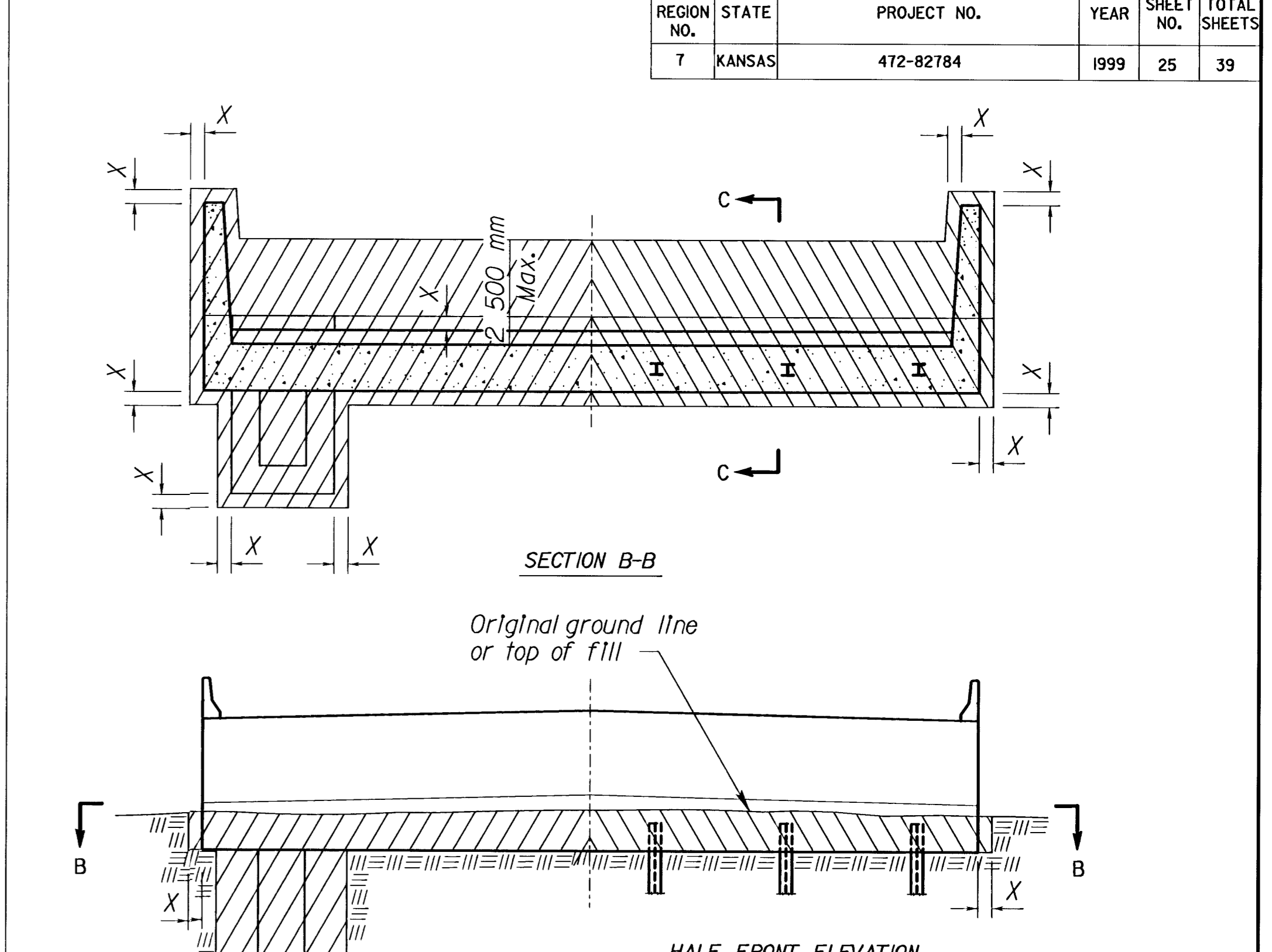
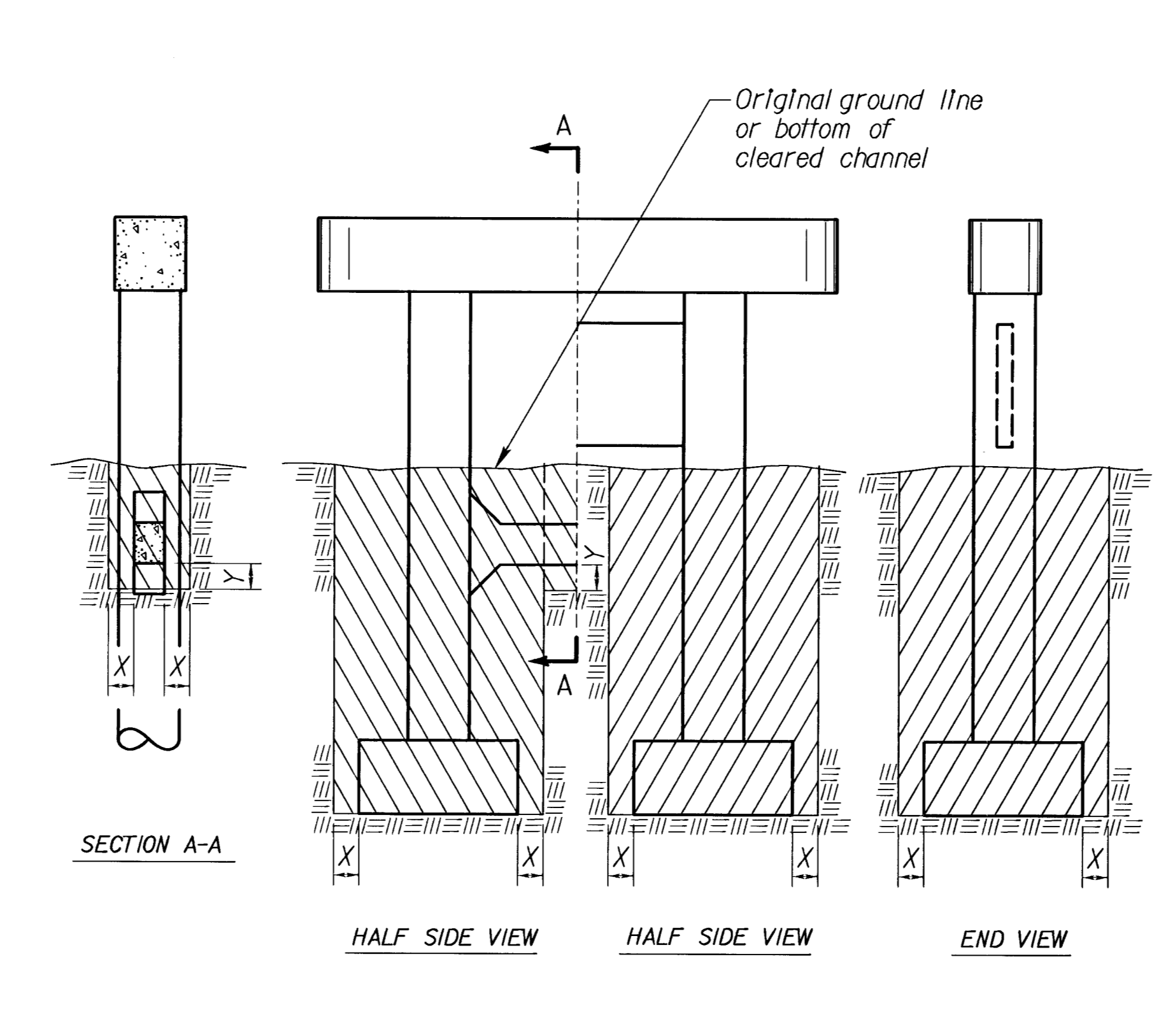
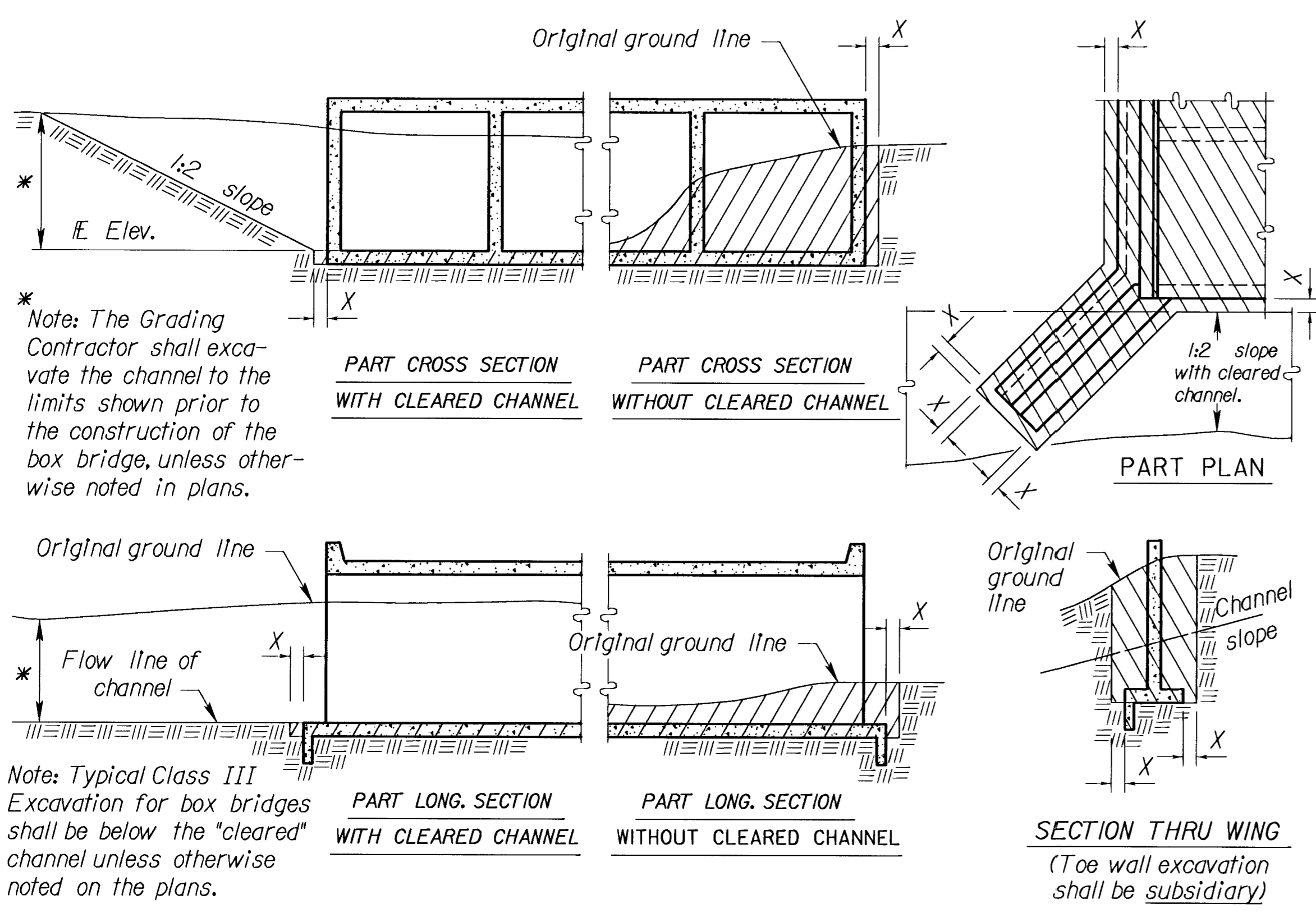


FHWA REGION NO.	STATE	PROJECT NO.	YEAR	SHEET NO.	TOTAL SHEETS
7	KANSAS	472-82784	1999	25	39



See detail when rock or shale (rock) is encountered.

Dimension "X" shall be 600 mm unless indicated otherwise on the general plans.
Dimension "Y" shall be 450 mm unless indicated otherwise on the general plans.

3					
2	8-12-95	Correct Section BB at abutment	LRR	KFH	
1	1-30-95	Drilled Shaft Excavation	LRR	KFH	
NO.	DATE	REVISIONS	BY	APP'D	

KANSAS DEPARTMENT OF TRANSPORTATION

BRIDGE EXCAVATION

BR100 SI

FHWA APPROVAL	9-8-95	APP'D	KENNETH F. HURST
DESIGNED	DETAIL	JK QUANTITIES	CADD
DESIGN CK.	DETAIL CK.	LRR QUAN. CK.	CADD CK.

Std. Base File : /usr2/stand/si/br100si.dgn
 Server File : /usr2/
 Plot Date : \$\$\$SYTIME\$\$\$
 Plotted By : \$\$\$USERNAME\$\$\$
 Plot File : \$\$\$DGNISPEC\$\$\$
 Server : witch
 View= PLOT1