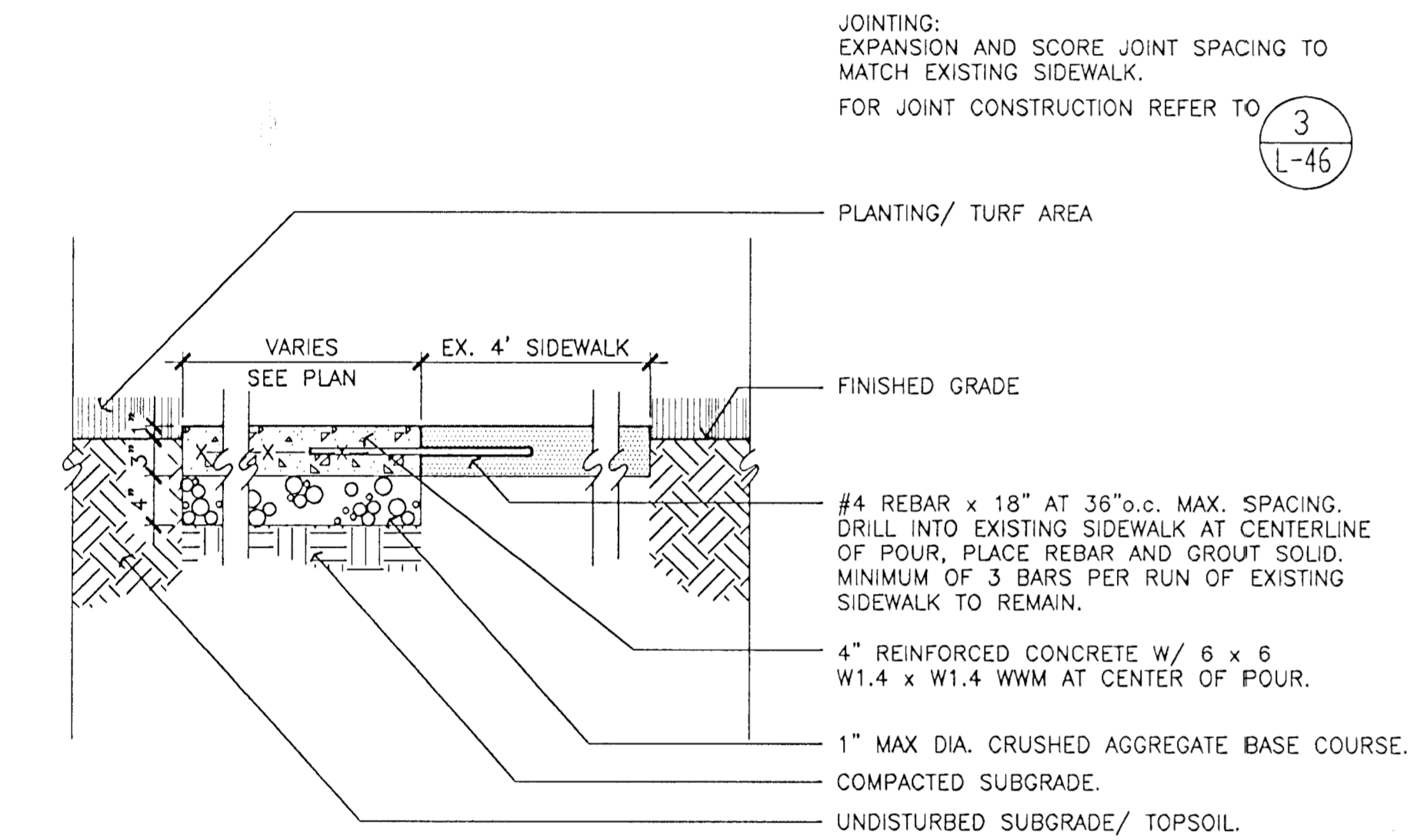
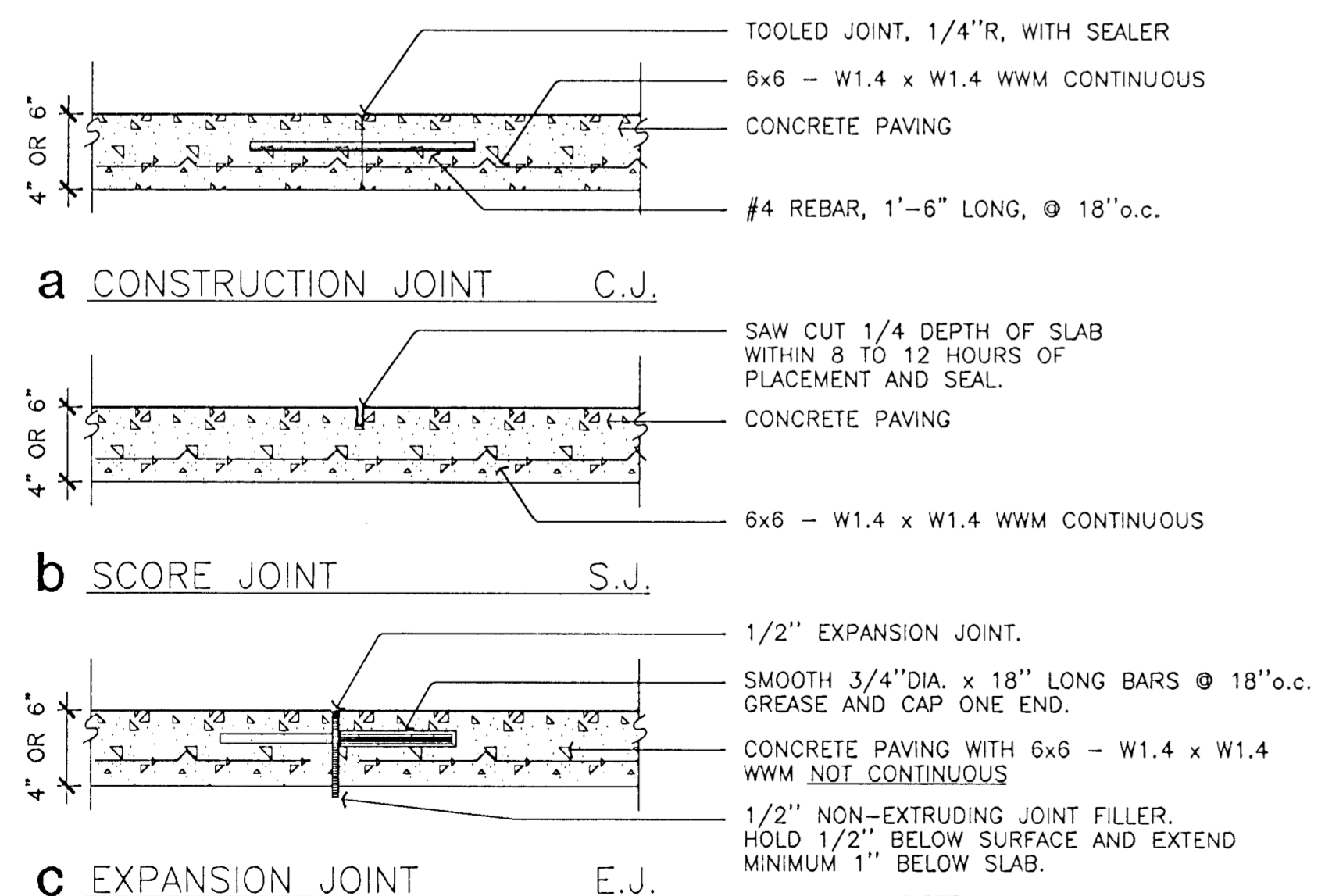


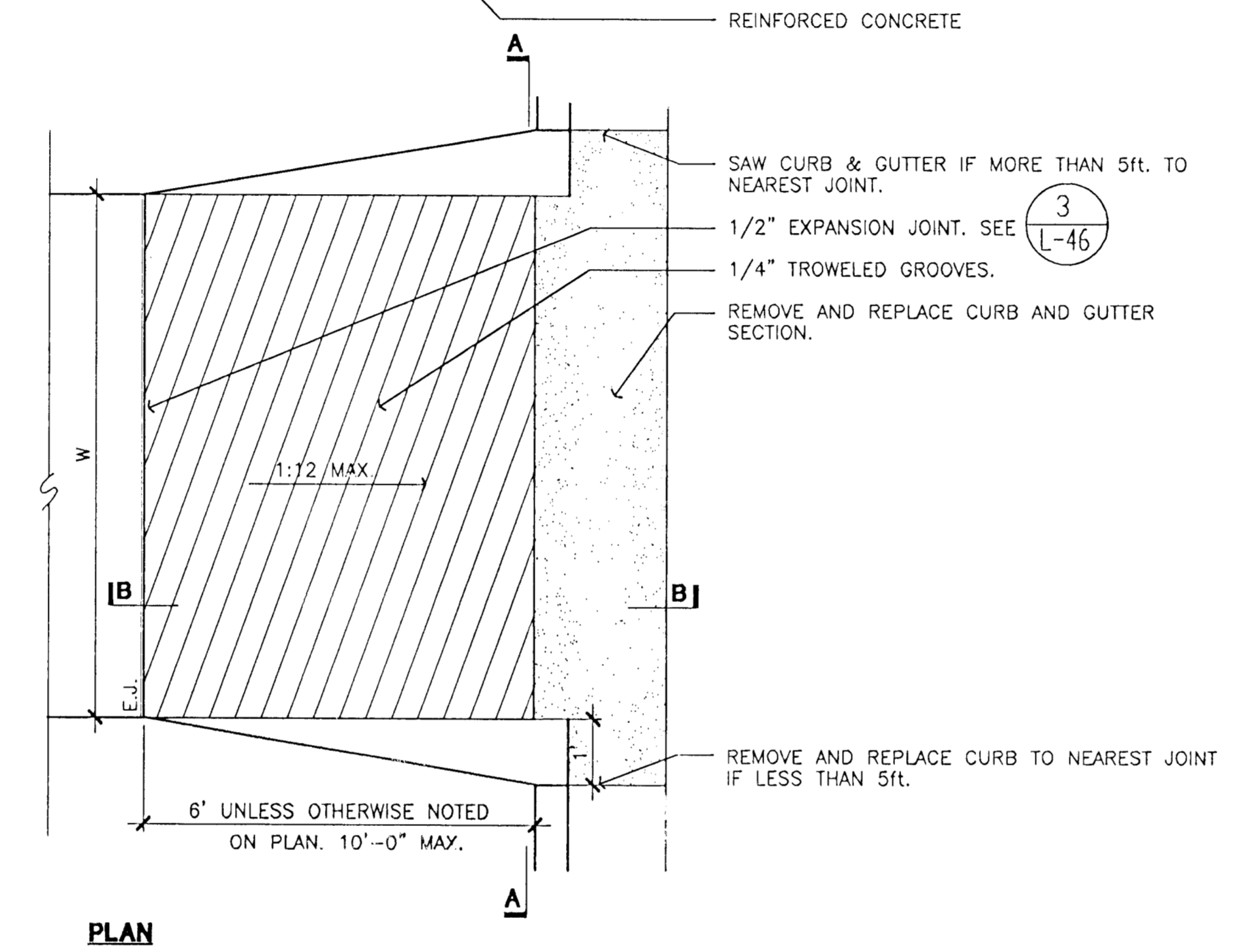
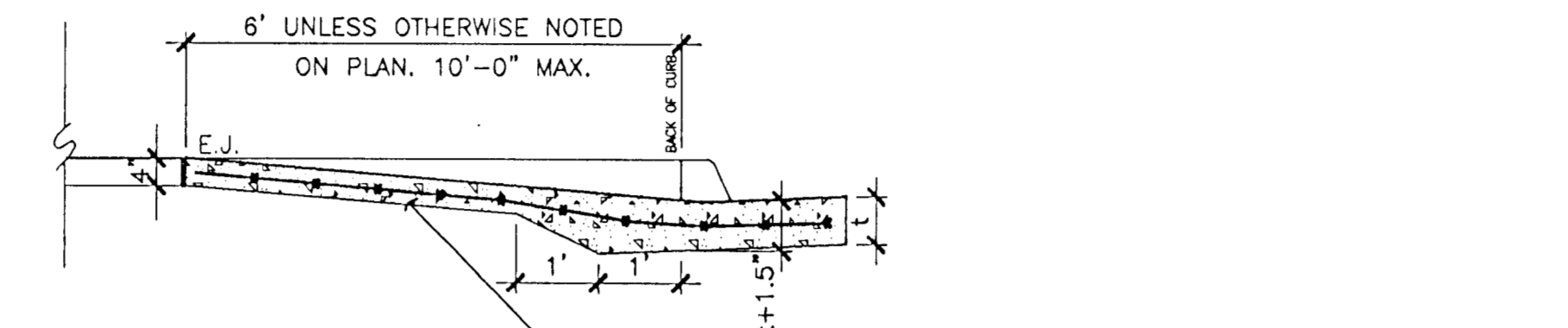
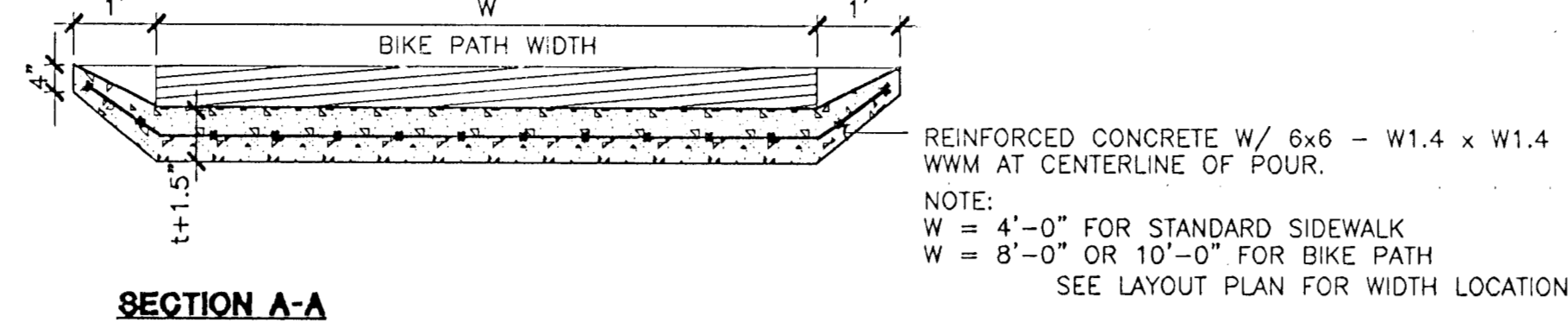
**1 CONCRETE PATH**  
 THICKNESS AS SHOWN ON PLANS SCALE: 1" = 1'-0"



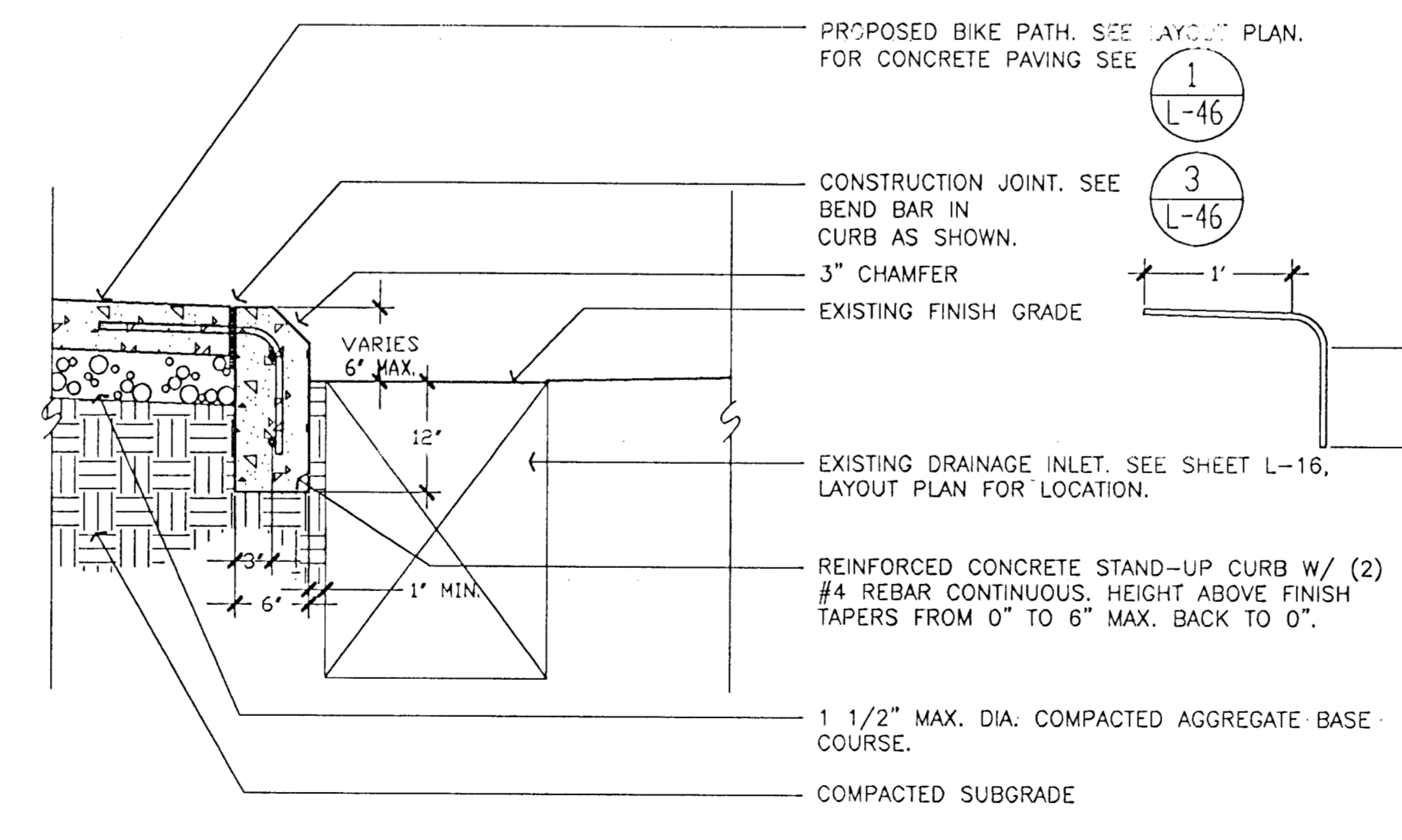
**2 COLD JOINT DOWELING AT EX. SIDEWALK**  
 SCALE: 1" = 1'-0"



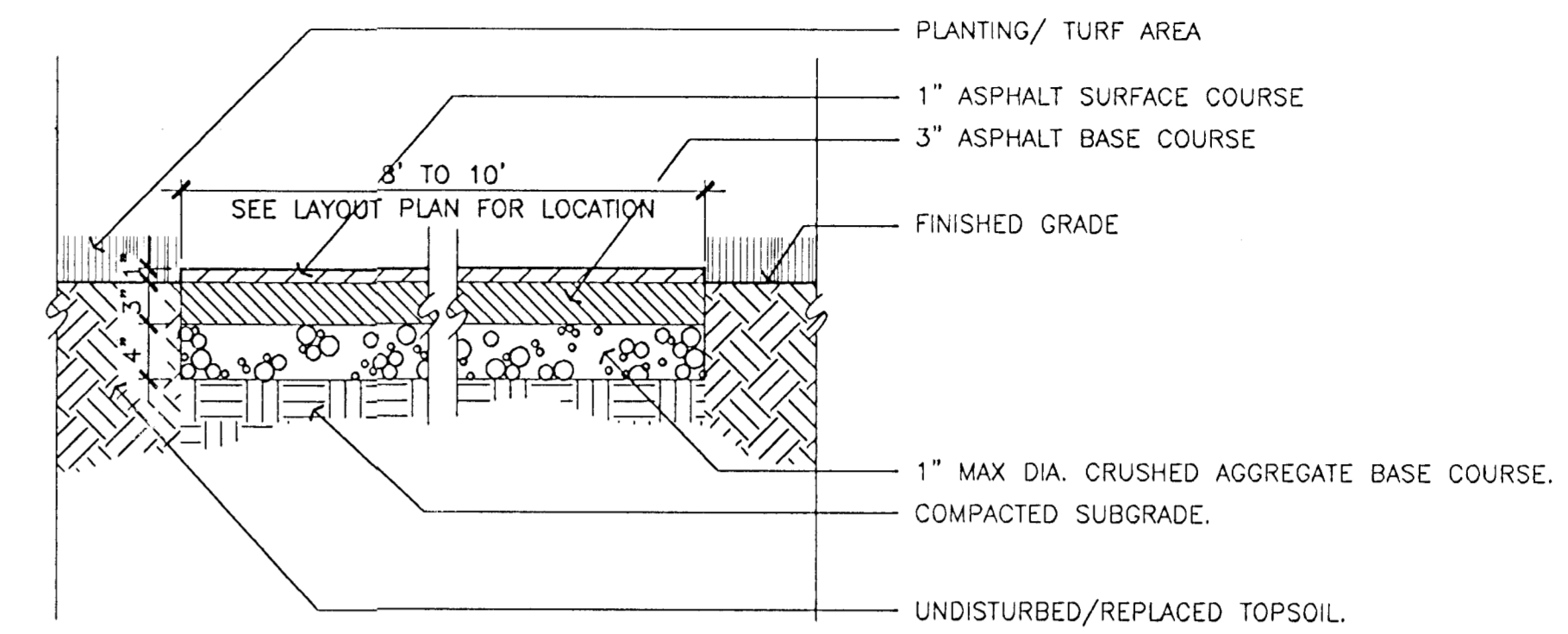
**3 CONCRETE PAVING JOINTS**  
 SCALE: 1" = 1'-0"



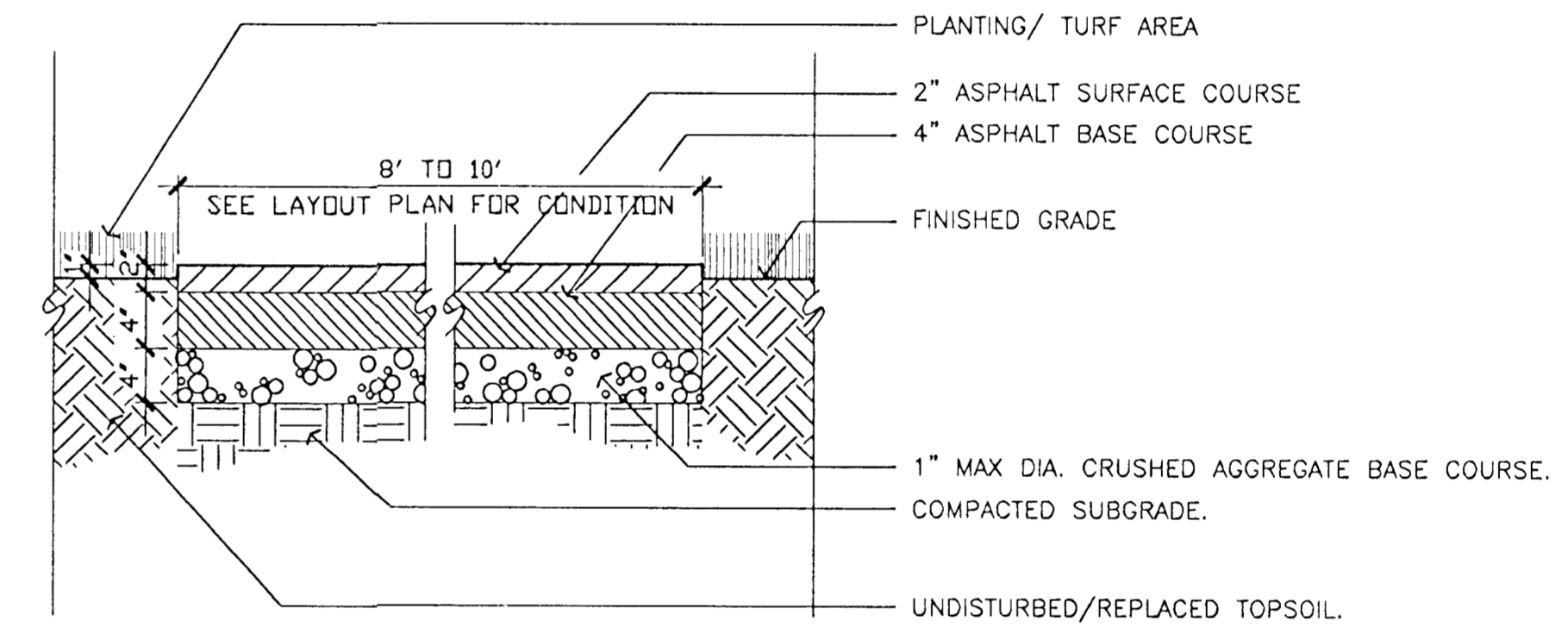
**4 STANDARD BIKE PATH CURB CUT**  
 SCALE: 1/2" = 1'-0"



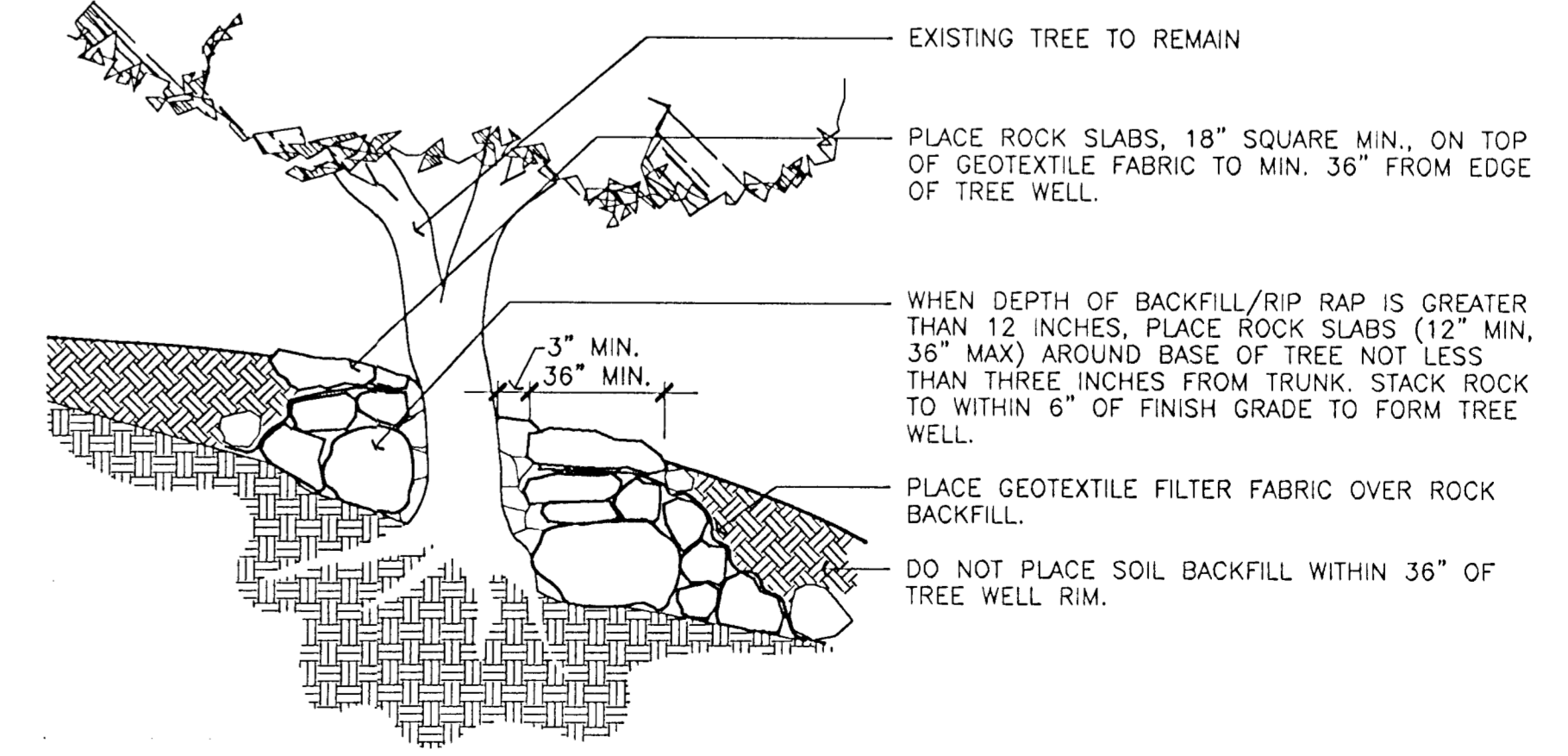
**5 STAND-UP CURB**  
 SCALE: 1" = 1'-0"



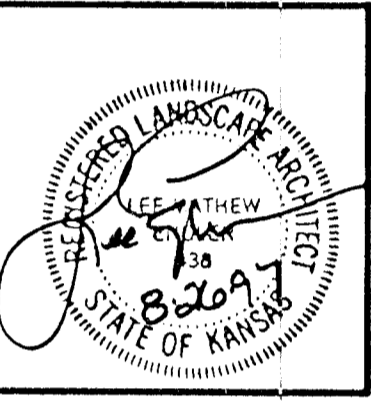
**6 4" ASPHALT PATH**  
 TYPICAL SCALE: 1" = 1'-0"



**7 6" ASPHALT PATH**  
 SEE LAYOUT PLAN FOR LOCATIONS SCALE: 1" = 1'-0"



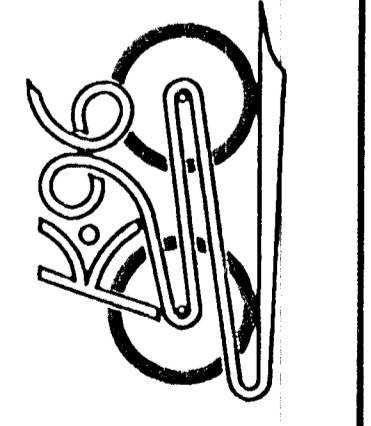
**8 EXISTING TREE PRESERVATION**  
 NOT TO SCALE



COPYRIGHT © 1994  
 Wilson Darnell Mann, PA

prints issued  
 11/3/95 OFFICE CHECK  
 12/15/96 CONST.  
 3/5/97 FINAL CHECK  
 5/23/97 FINAL REV.  
 6/22/97 FINAL REV.

WDM no. 93242  
 drawn WDM check LME



DETAILS