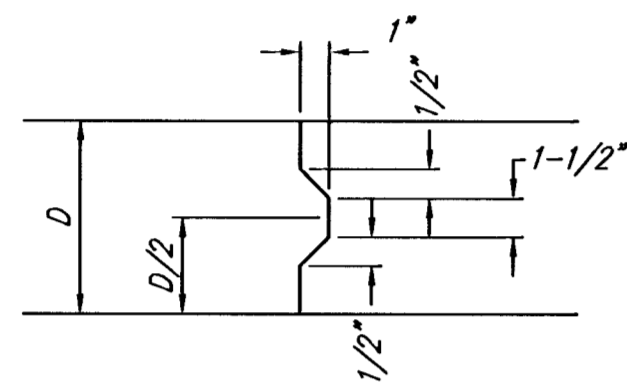
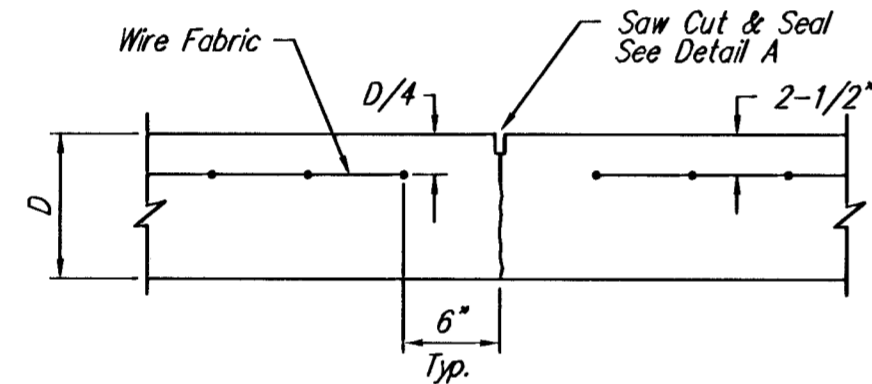


**EXPANSION JOINT**

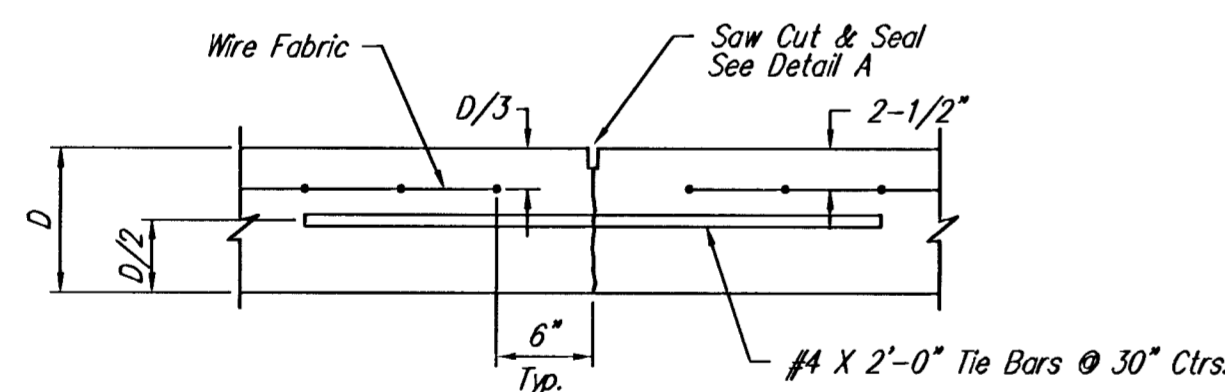
NOTE: Extra Thickness to be Subsidiary to Price of Square Yards Pavement



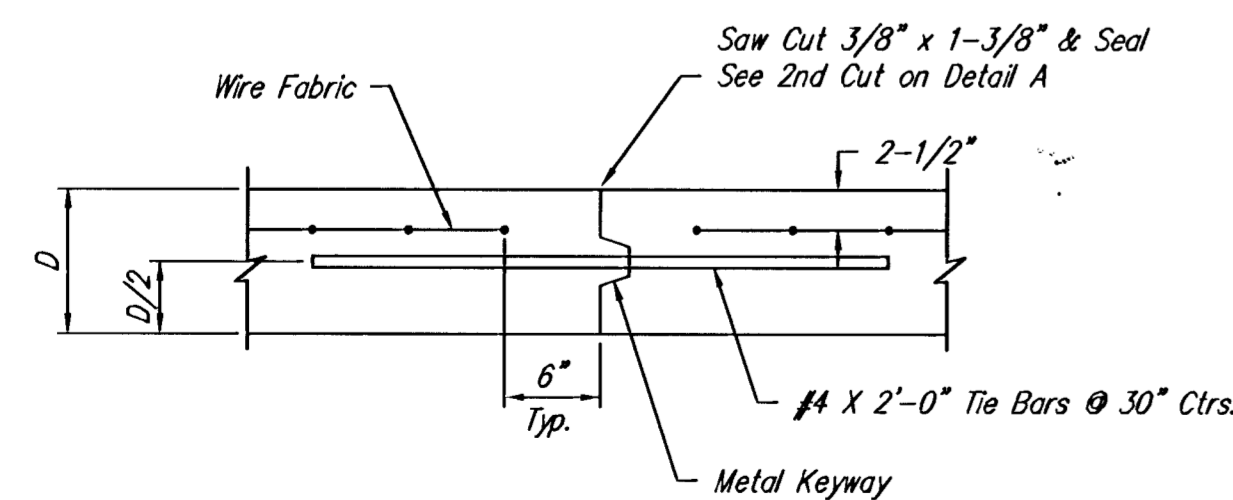
**KEYWAY DETAIL**



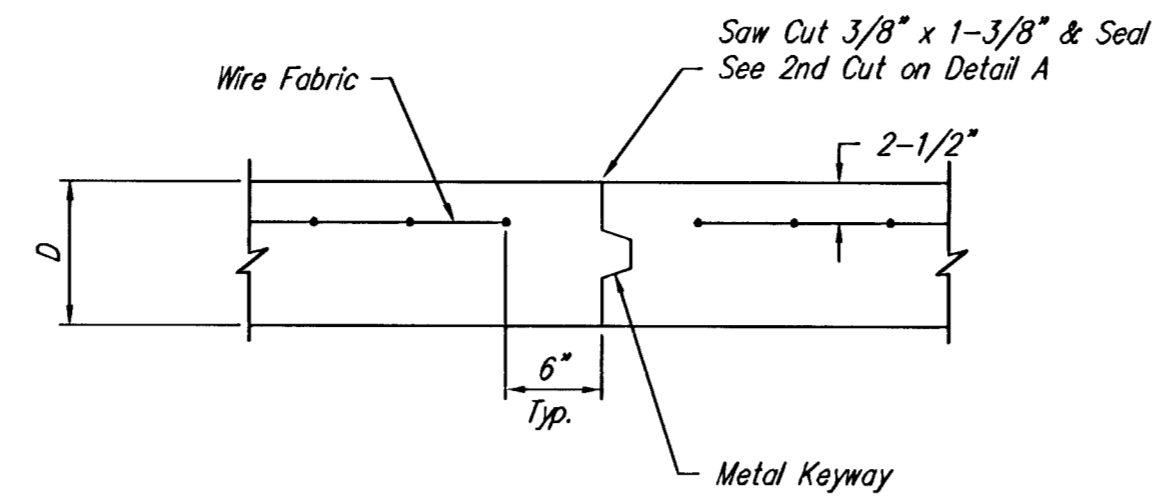
**CONTRACTION JOINT DETAIL (C.J.)**



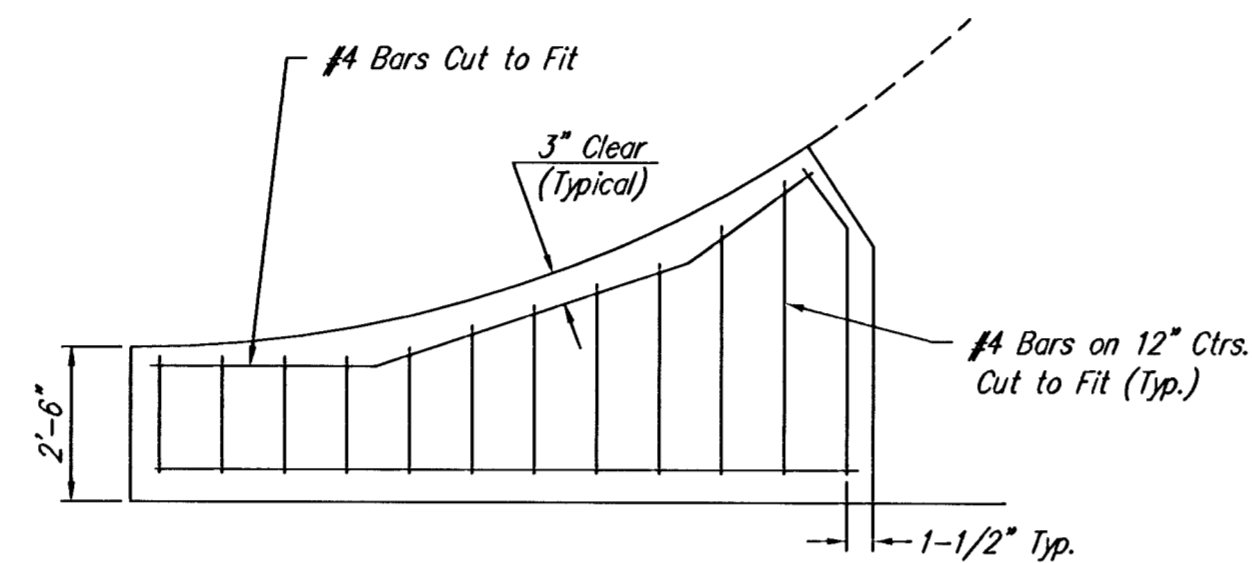
**LONGITUDINAL JOINT DETAIL (L.J.)**



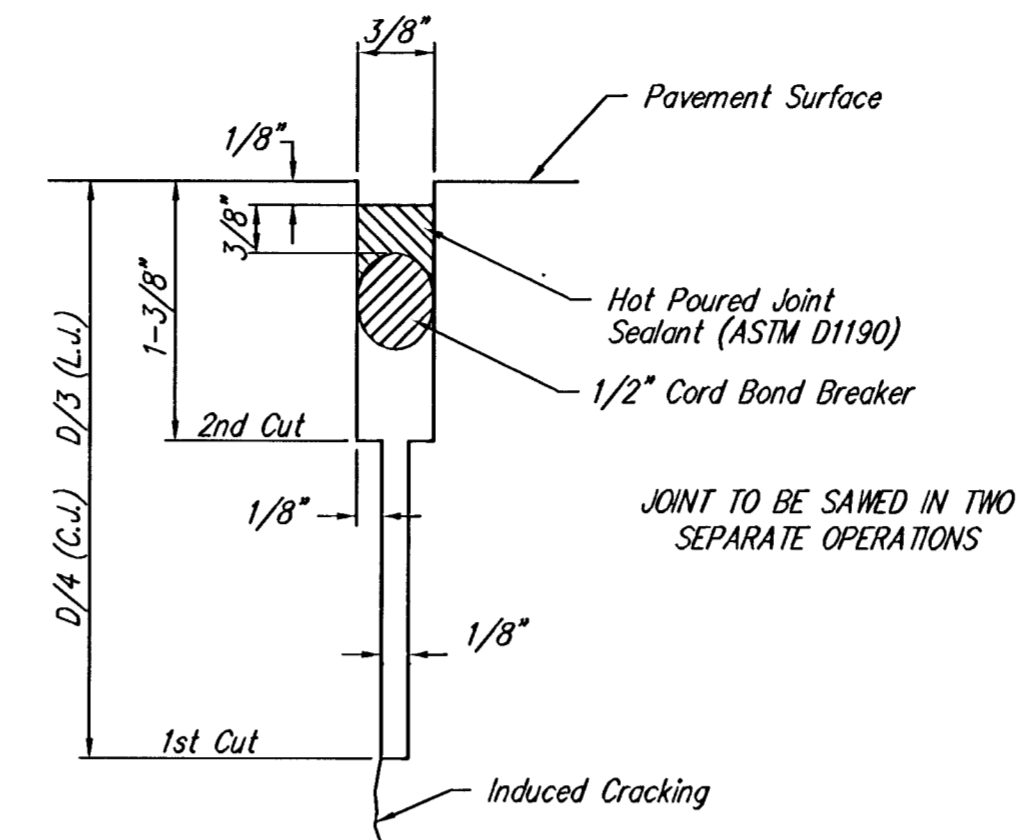
**OPTIONAL LONGITUDINAL JOINT DETAIL (L.J.)**



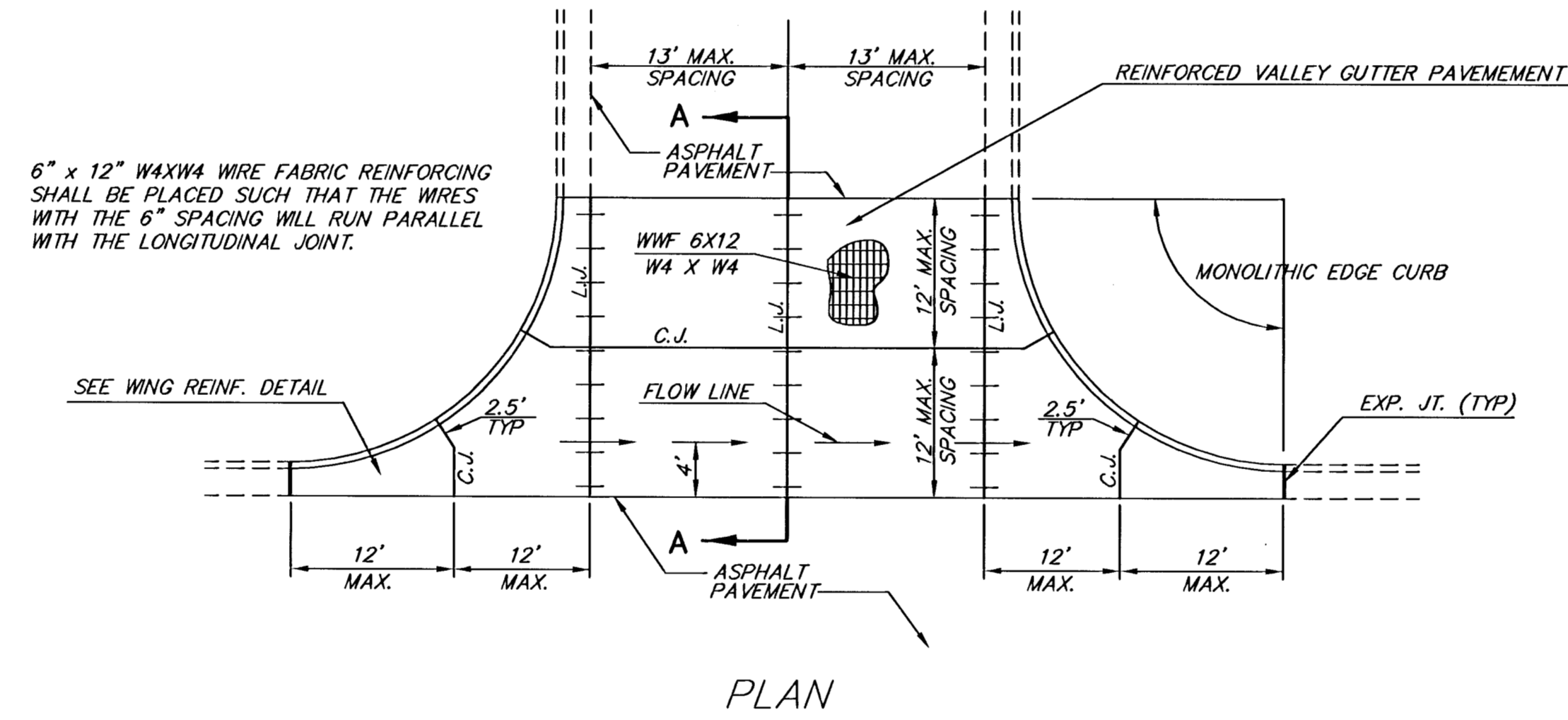
**OPTIONAL CONTRACTION JOINT**



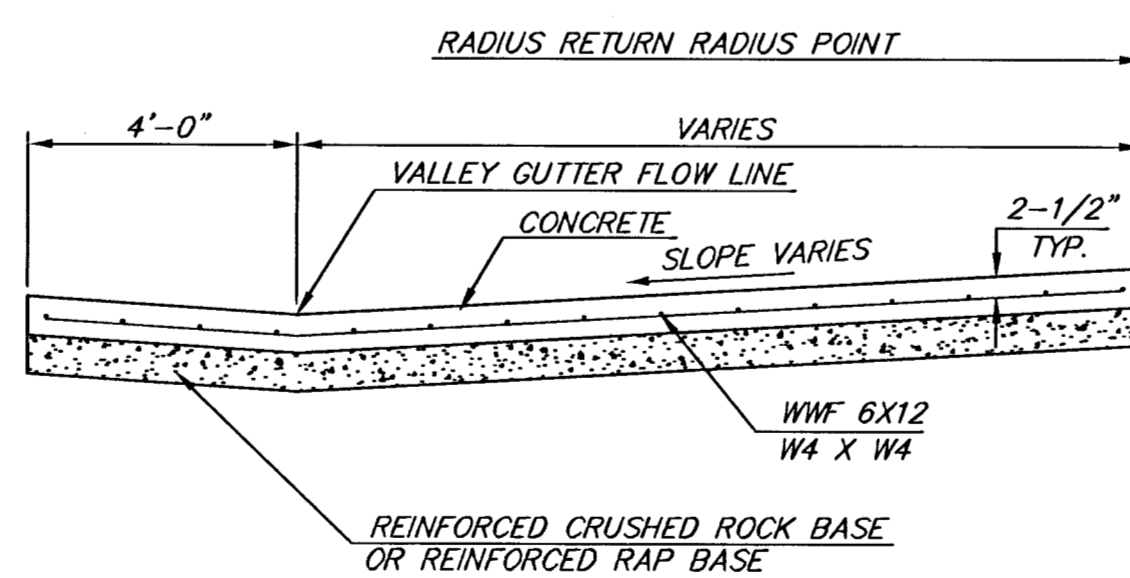
**WING REINFORCING DETAIL**



**SAW JOINT DETAIL**

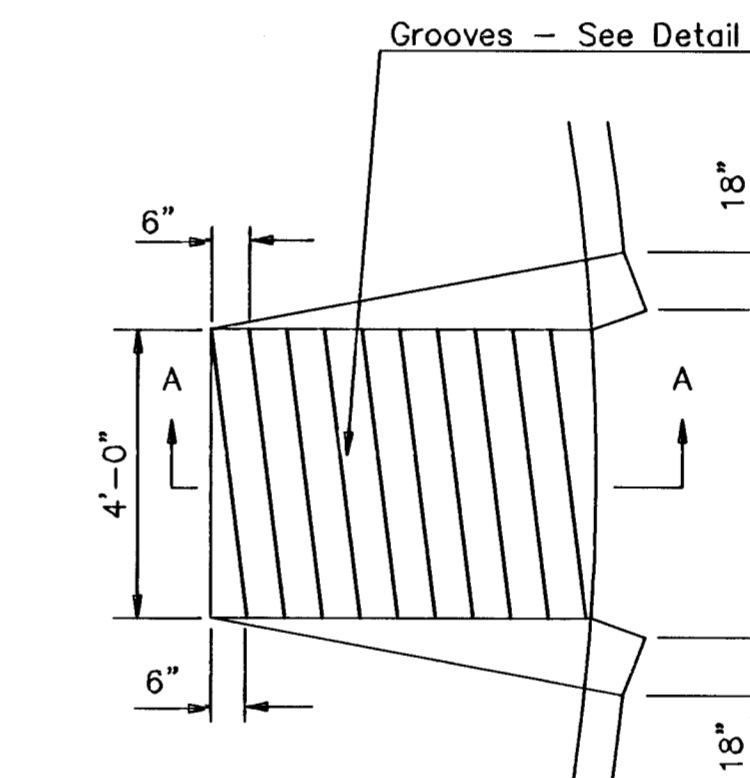


**PLAN**

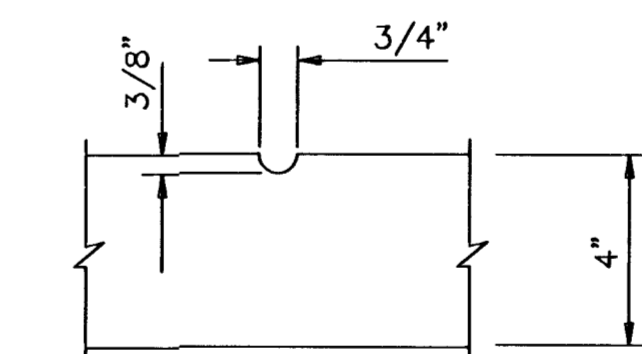


**SECTION A-A**

**REINFORCED VALLEY GUTTER DETAIL**

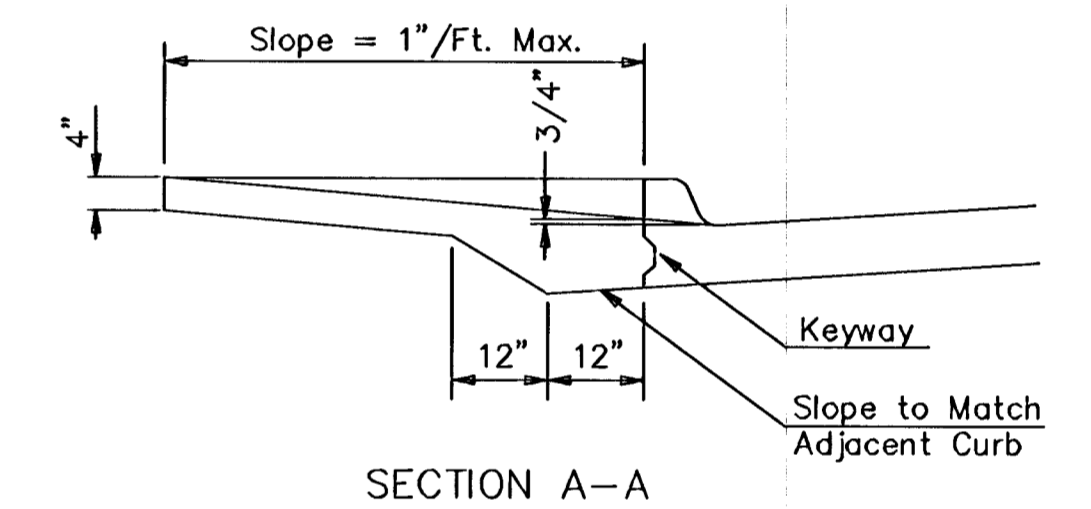


**WHEELCHAIR RAMP PLAN VIEW**

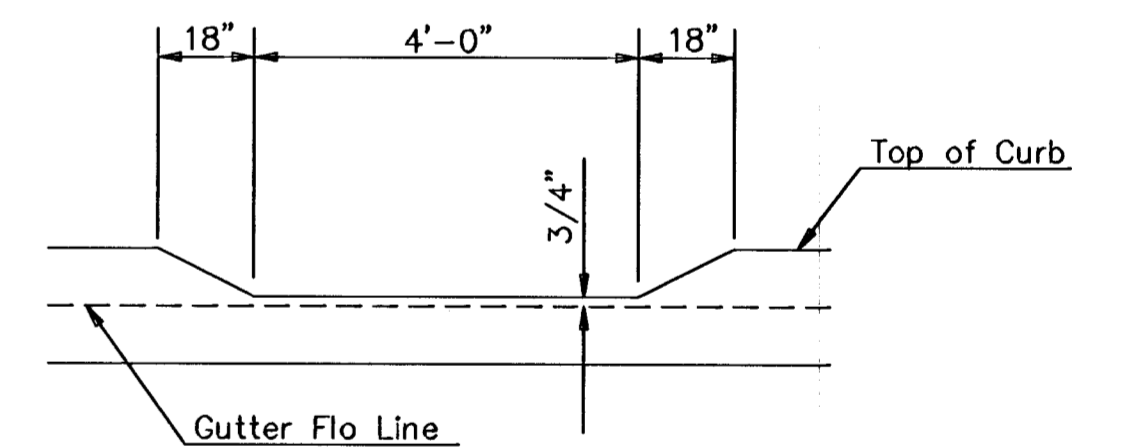


**GROOVE DETAIL**

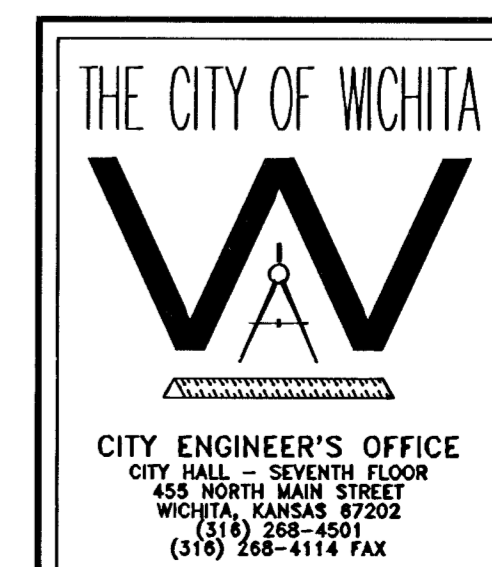
**WHEELCHAIR RAMP DETAIL**



**SECTION A-A**



**DEPRESSED CURB DETAIL**



**VALLEY GUTTER DETAILS**

**WHEELCHAIR RAMP DETAILS**

NEIL D. CABLE - CITY ENGINEER

PROJECT NUMBER 472-83644 OCA NUMBER 765774

DATE APR 2003 SHEET 4 OF 28