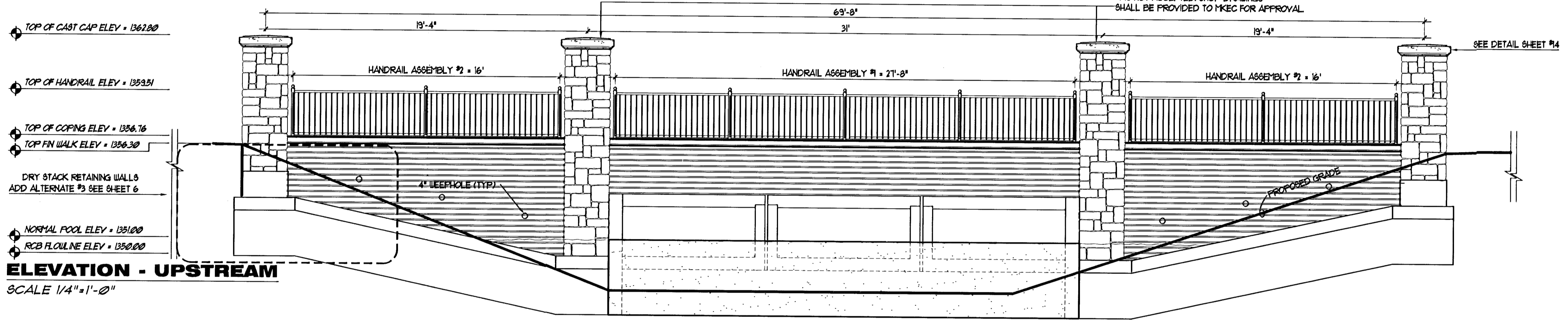
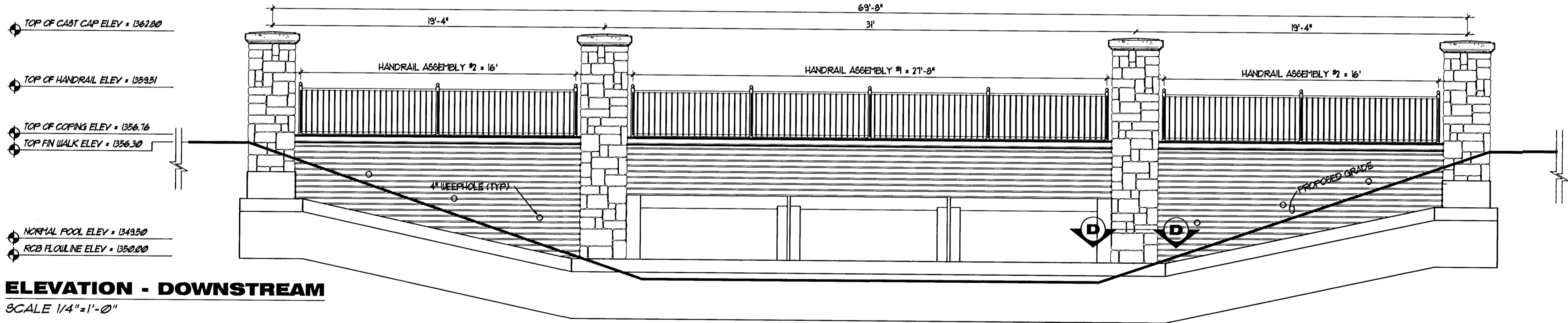


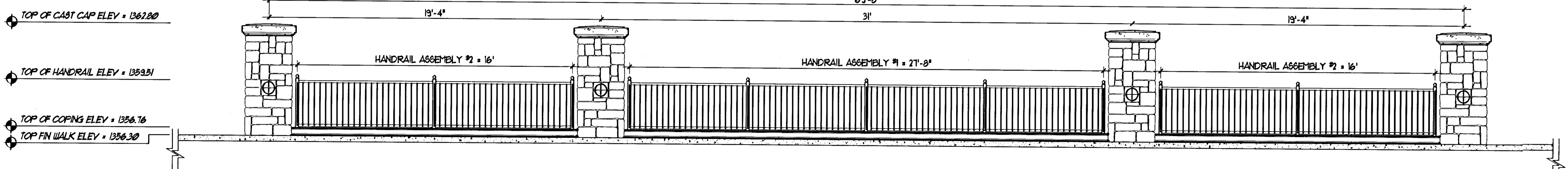
PLAN : UPSTREAM
SCALE 1/4" = 1'-0"



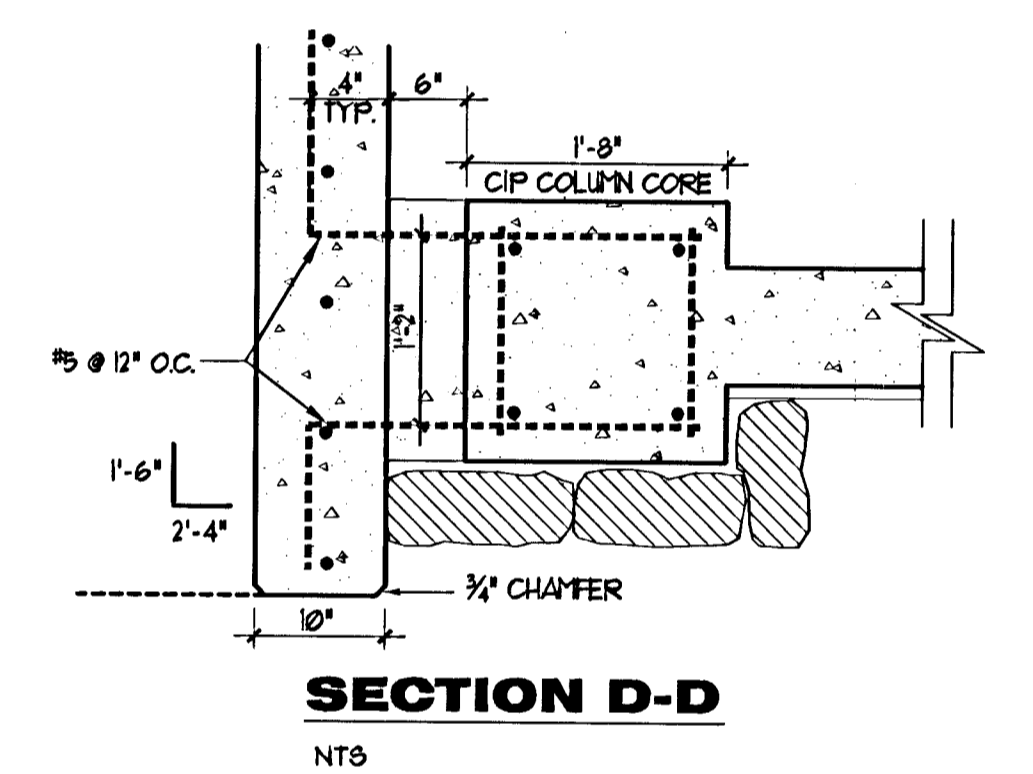
ELEVATION - UPSTREAM
SCALE 1/4" = 1'-0"



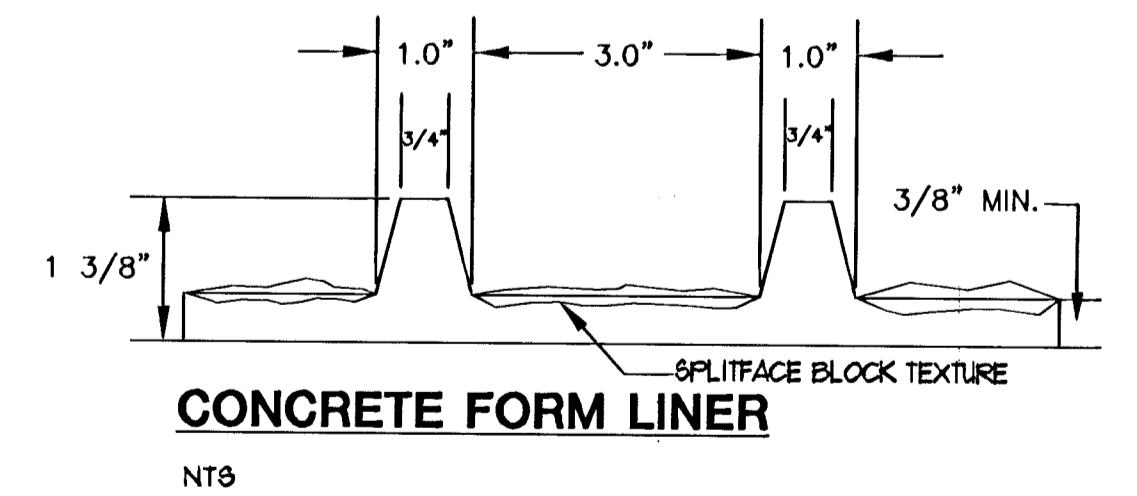
ELEVATION - DOWNSTREAM
SCALE 1/4" = 1'-0"



ELEVATION - ROADSIDE
SCALE 1/4" = 1'-0"



SECTION D-D
NT8



CONCRETE FORM LINER
NT8

MKEC
ENGINEERING CONSULTANTS
411 N. WEBB ROAD
WICHITA, KS. 67206
316-684-9600

HAWTHORNE ADDITION
PROJECT NAME
RCB HEADWALL PLAN & ELEVATION
SHEET TITLE

MKEC DESIGN BY: KK DRAWN BY: MKEC CHECKED BY:
APRIL, 2003 DATE 102167 JOB NO. 13 / 28 SHEET/OF