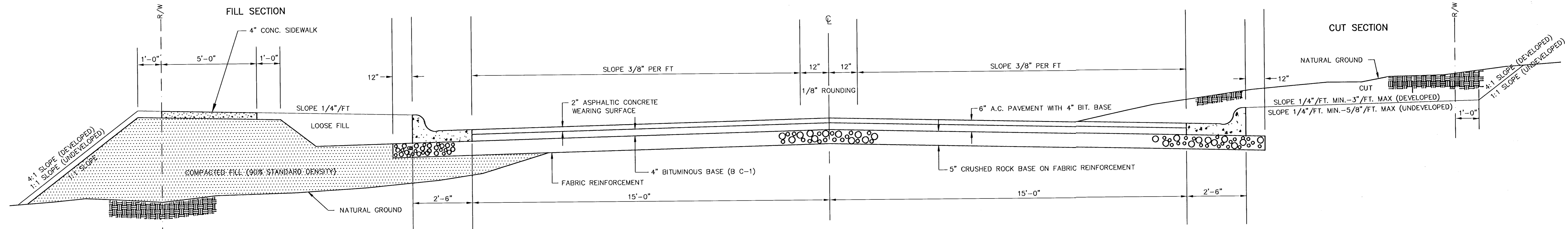
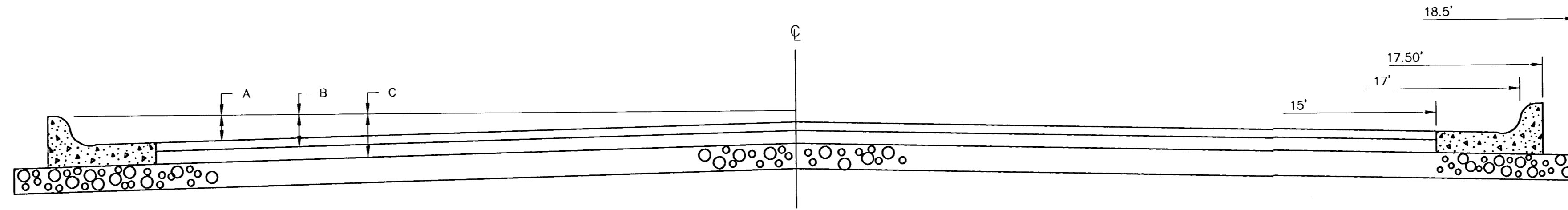


TYPICAL 35' PAVEMENT DETAILS

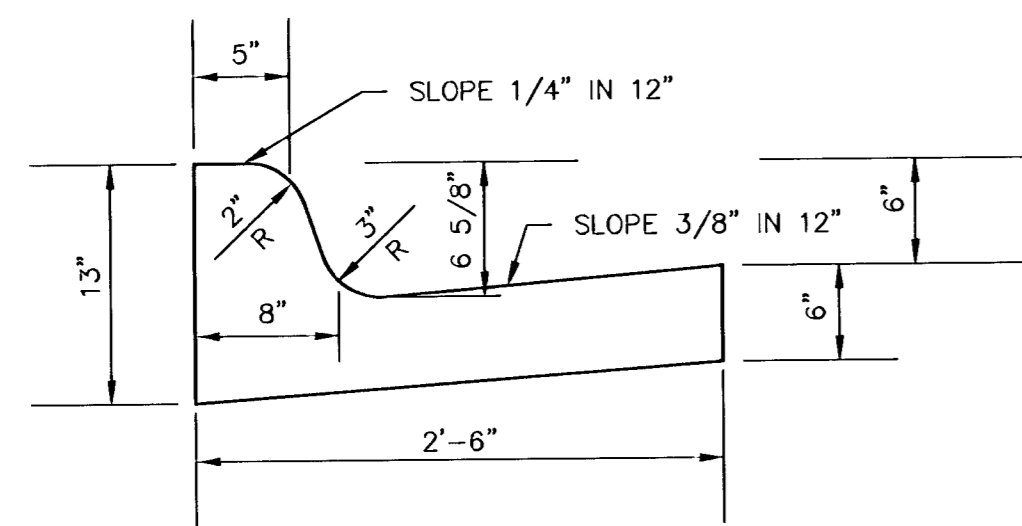
TRANSVERSE SECTION



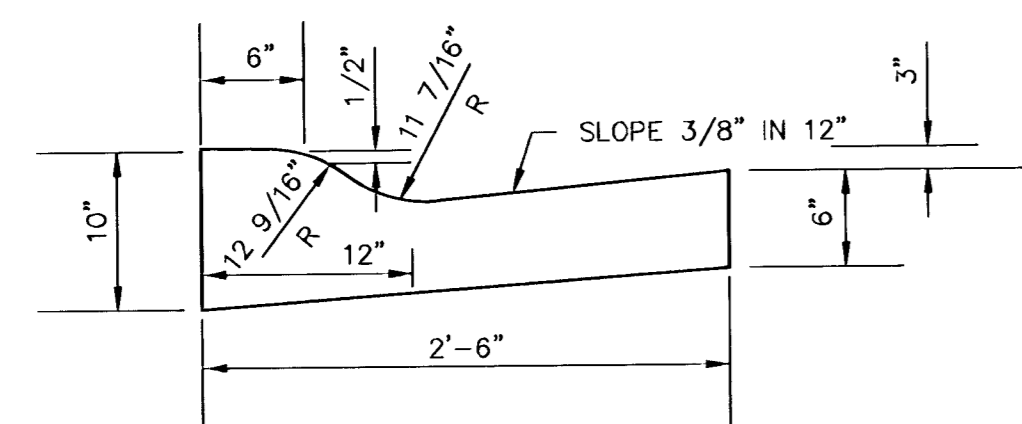
ELEVATION OFFSETS



COMBINED CURB & GUTTER



ROLL TYPE COMBINED CURB & GUTTER



CRUSHED ROCK BASE

PERCENT OF AGGREGATE RETAINED

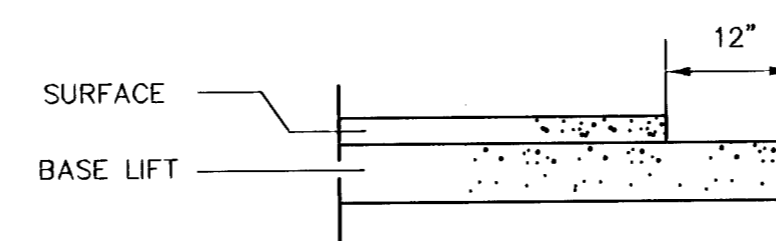
2-1/2"	0
3/4"	20-60
#4	50-80
#40	80-94
#200	90-98

ROCK QUALITY SHALL CONFORM TO THE REQUIREMENTS SPECIFIED BY THE KDOT 1990 EDITION STANDARD SPECIFICATION SUBSECTION 1102 FOR DURABILITY CLASS 1.

GEOGRID BASE REINFORCEMENT SHALL BE BX1100 GEOGRID AS MANUFACTURED BY TENSAR CORPORATION OR APPROVED EQUAL. FABRIC BASE REINFORCEMENT SHALL BE INSTALLED IN ACCORDANCE WITH MANUFACTURER'S RECOMMENDATIONS. ROCK QUALITY SHALL BE THE SAME AS FOR CONCRETE MIXES.

	DISTANCE FROM CENTERLINE (LT. & RT.)										
	0'	2'	4'	6'	8.5'	10'	12'	14'	15'	17'	17.5'
A: TOP OF STD. CURBS TO TOP OF SURFACE LIFT	0.04	0.08	0.14	0.21	0.29	0.33	0.39	0.46	0.49	--	--
B: TOP OF STD. CURBS TO TOP OF UPPER BASE LIFT	0.21	0.25	0.31	0.37	0.45	0.50	0.56	0.62	0.65	--	--
C: TOP OF STD. CURBS TO TOP OF LOWER BASE LIFT	0.37	0.43	0.50	0.57	0.67	0.72	0.79	0.87	0.90	0.98	1.00

TRANSVERSE CONSTRUCTION JOINTS



TRANSVERSE CONSTRUCTION JOINTS SHALL BE CONSTRUCTED IN FLEXIBLE BASE PAVEMENTS AT LOCATIONS WHERE PAVEMENT JOINS EXISTING FLEXIBLE BASE PAVEMENT AS SHOWN BY THE DETAIL. ALL COSTS ASSOCIATED WITH THE CONSTRUCTION OF THE TRANSVERSE JOINT SHALL BE INCLUDED IN THE BID PRICE FOR SQUARE YARDS 6" ASPHALTIC CONCRETE PAVEMENT (4" BITUMINOUS BASE).

GENERAL NOTES

- ROCK BASE IS TO BE COMPACTED AND SMOOTHED WITH A STEEL FACED ROLLER PRIOR TO PLACEMENT OF ASPHALT. TACK COAT WILL NOT BE APPLIED TO ROCK BASE.
- A TACK COAT OF EMULSIFIED ASPHALT (SC-1H OR CSS-1H) SHALL BE APPLIED AT AN APPROXIMATE RATE OF 0.05 GALLONS PER SQUARE YARD BETWEEN EACH LIFT OF ASPHALTIC MATERIAL.
- BITUMINOUS BASE AND ASPHALTIC CONCRETE WEARING SURFACE SHALL BE PLACED WITH A LAYDOWN MACHINE HAVING AUTOMATIC CONTROLS FOR LINE AND GRADE.
- CONSTRUCTION JOINTS IN EACH LIFT SHALL BE STAGGERED A MINIMUM DISTANCE OF ONE (1) FOOT FROM JOINTS IN PRECEDING LIFTS AND PLACED SO THAT A JOINT WILL BE CONSTRUCTED ON THE CENTERLINE OF THE TOP LIFT.

G:\CIVIL\96081\HALLMARK\PHASE2\PAVE\01123ed1.DWG

6 INCH RESIDENTIAL COLLECTOR ASPHALTIC CONCRETE PAVEMENT WITH 5 INCH CRUSHED ROCK BASE ON FABRIC REINFORCEMENT.

CITY OF WICHITA, KANSAS