

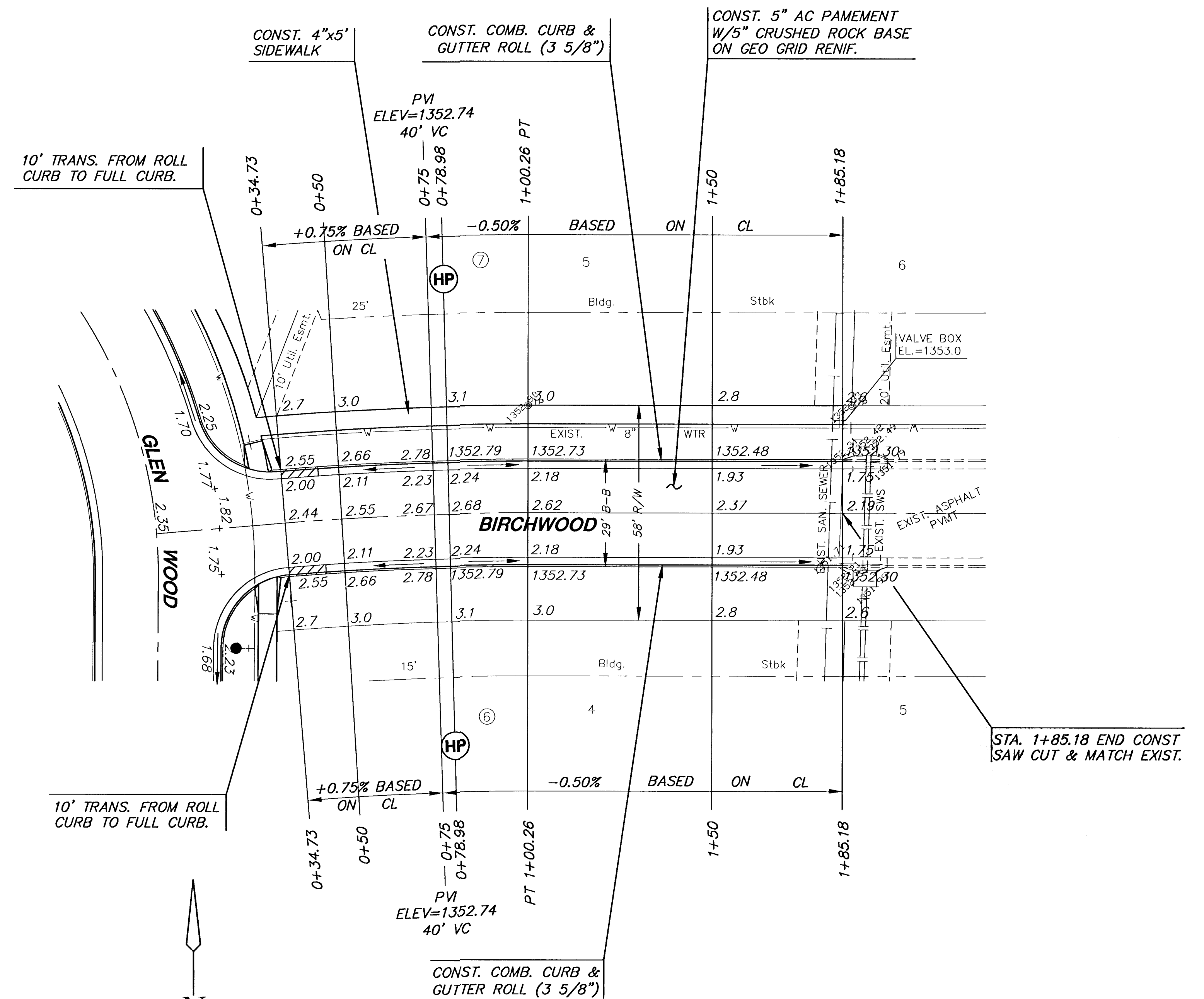
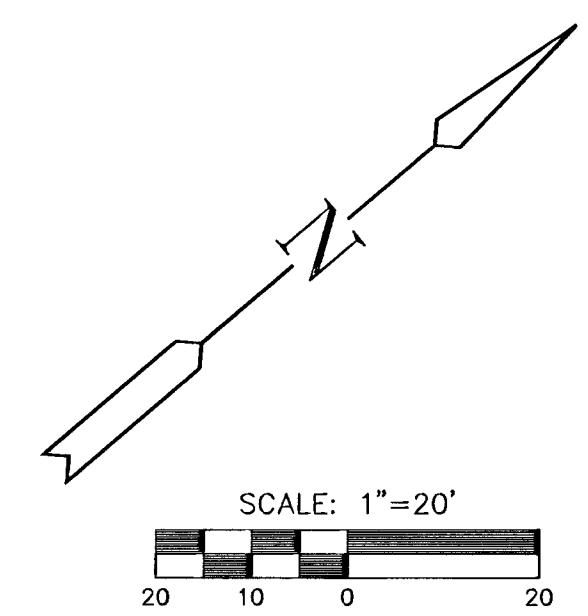
PROP. CURB INLET TOP=1349.40
 CONST. INLET HOOKUP & UNDERDRAIN.
 TRANSITION CURB EACH SIDE 10'.
 INSTALL CURB SEDIMENT BARRIER.

CONST. COMBINED MEDIAN
 CURB & GUTTER FULL

CONST. 5" AC PAVEMENT
 W/5" CRUSHED ROCK BASE
 ON GEO GRID RENIF.

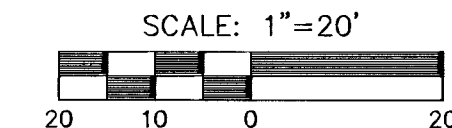
INSTALL 2-6" PVC
 SLEEVES (60 L.F.)
 MIN DEPTH 30"

10' TRANS. FROM ROLL
 CURB TO FULL CURB.



10' TRANS. FROM ROLL
 CURB TO FULL CURB.

10' TRANS. FROM ROLL
 CURB TO FULL CURB.



NOTE:
 TOP OF CURB ELEVATIONS SHOWN ARE FOR FULL CURB.
 CONSTRUCT COMBINED CURB & GUTTER, ROLL (3-5/8").
 REMOVE TREES WITHIN R/W UNLESS OTHERWISE SHOWN.

G:\CIVIL\96081\HALLMARK\PHASE2\PAVE\01123_E4



ROCKY CREEK ADDITION-HALLMARK PH 2
 PROJECT NAME
GLEN WOOD CT. & BIRCHWOOD
PAVING PLANS
 SHEET TITLE

JTC/DFL
 DESIGN BY:
 KKL/BLS
 DRAWN BY:
 JTC
 CHECKED BY:
 JUNE 2001
 DATE
 01123_E4
 DRAWING NAME
 12 / 32
 SHEET / OF

G:\CIVIL\96081\HALLMARK\PHASE2\PAVE\01123_E4.DWG Tue Jun 26 14:05:35 2001