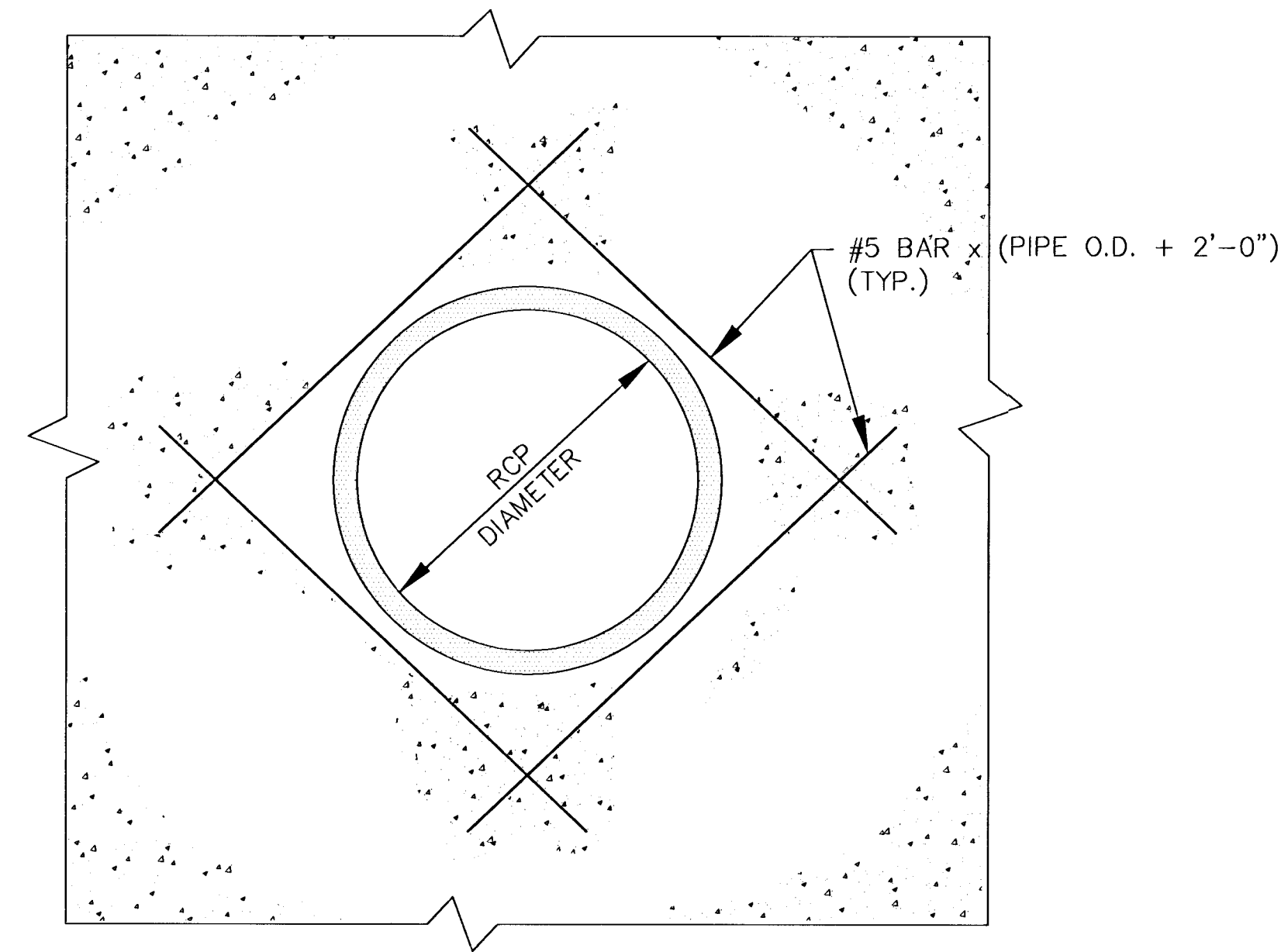


PLAN VIEW



NOTE:
CUT REINFORCING AS REQUIRED TO CLEAR RCP.

TYPICAL REINFORCING AT PIPE

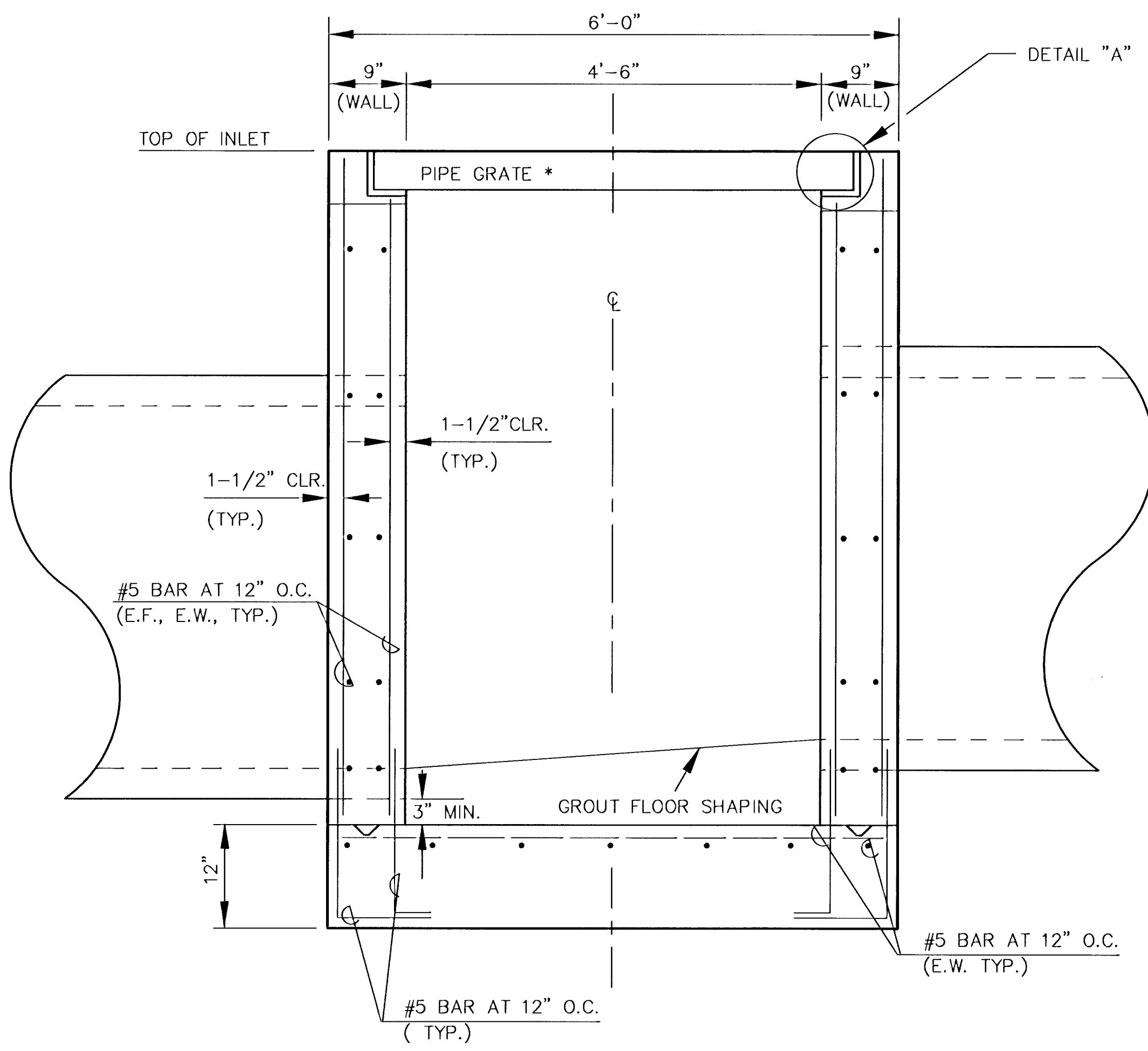
MATERIAL SPEC'S

- MORTAR - TYPE "M"
- BRICK - ASTM C62 GRADE MW
- STEEL - ASTM A36 OR EQUIVALENT
- GALV. - ASTM A-123 STDS.
- CONCRETE - $F'_c = 4,000$ PSI MINIMUM WITH 6 SACKS OF CEMENT PER CUBIC YARD MINIMUM.

ORIFICE EQUATION

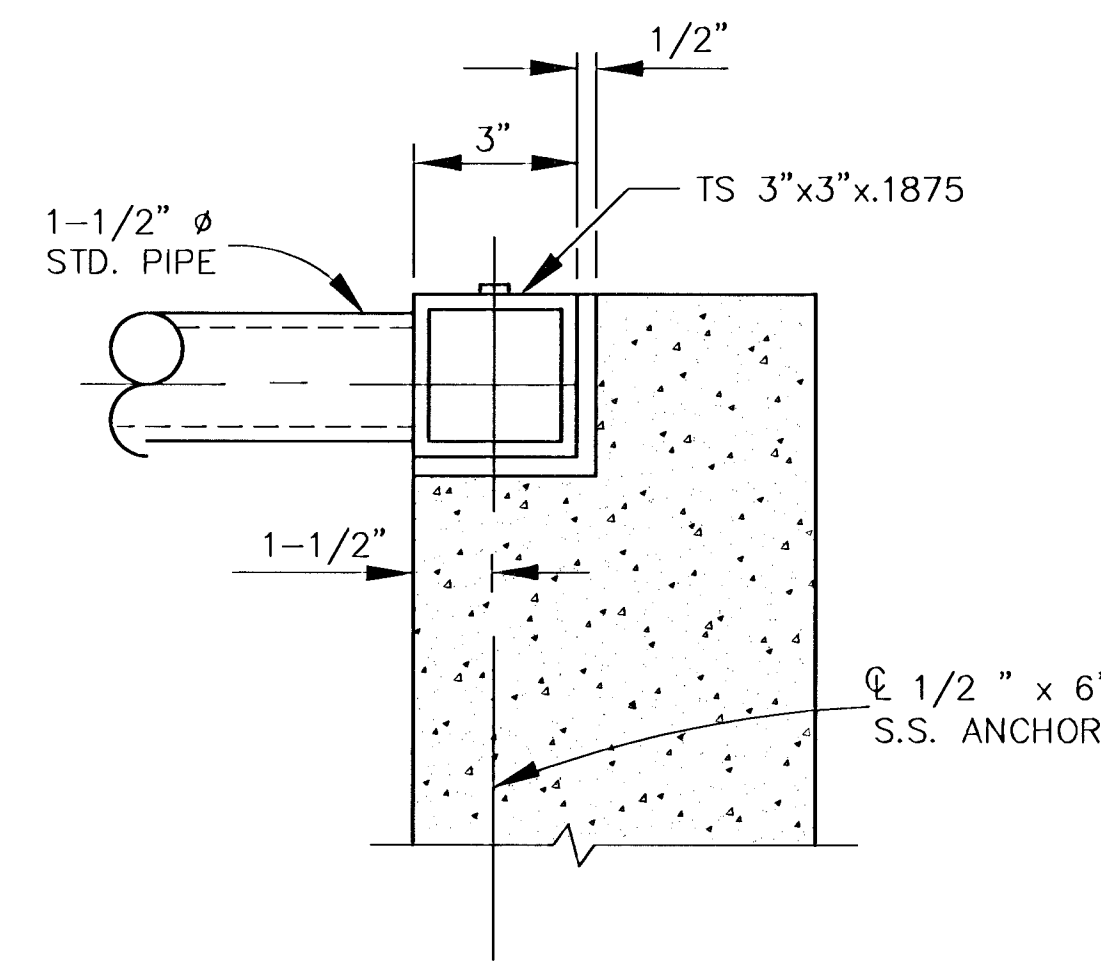
$Q = C \cdot A \cdot \sqrt{2gh}$

h (DEPTH)	2g	C	A	Q
0.5	64.4	0.7	8.625	34.3 cfs
1.0	64.4	0.6	8.625	41.5 cfs
2.0	64.4	0.6	8.625	58.7 cfs
2.0	64.4	0.7	8.625	68.5 cfs
3.0	64.4	0.6	8.625	71.9 cfs
4.0	64.4	0.6	8.625	83.1 cfs
5.0	64.4	0.6	8.625	92.9 cfs
6.0	64.4	0.6	8.625	101.7 cfs
7.0	64.4	0.6	8.625	109.9 cfs
8.0	64.4	0.6	8.625	117.5 cfs



ELEVATION VIEW

REINFORCED CONCRETE AREA INLET



NOTE:
FABRICATED STEEL GRATING SHALL BE GALVANIZED AS SPECIFIED BY ASTM A-123.

DETAIL "A"

MID-KANSAS ENGINEERING CONSULTANTS, INC.
411 N. WEBB ROAD
WICHITA, KS. 67206
316-684-9600

WILLOWPOINT COURTS THIRD ADD.
PROJECT NAME
REINFORCED CONCRETE AREA INLET
SPECIAL
SHEET TITLE

MKEC DESIGN BY: MKEC DRAWN BY: MKEC CHECKED BY:
JUNE 2001 DATE: 96008DD2 JOB NO.: 22 / 32 SHEET OF