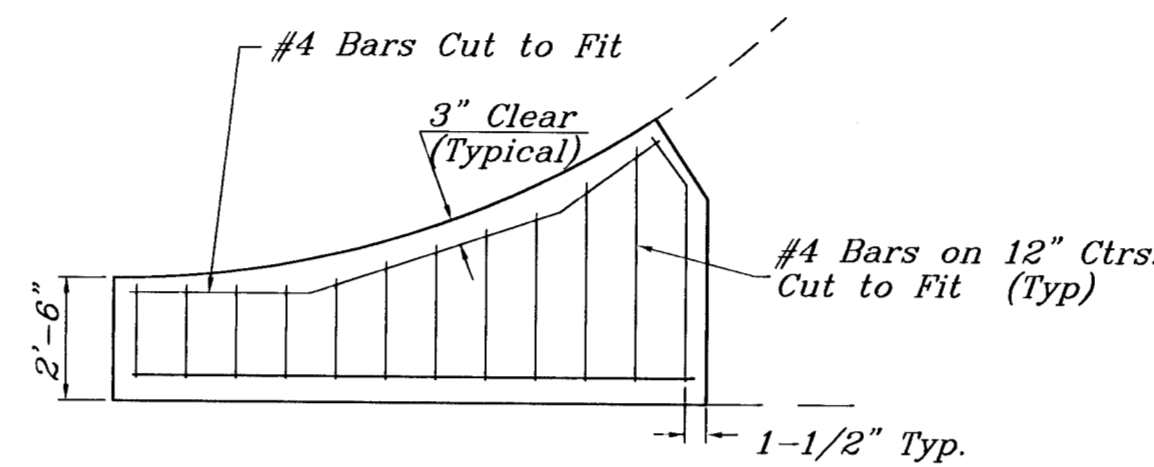
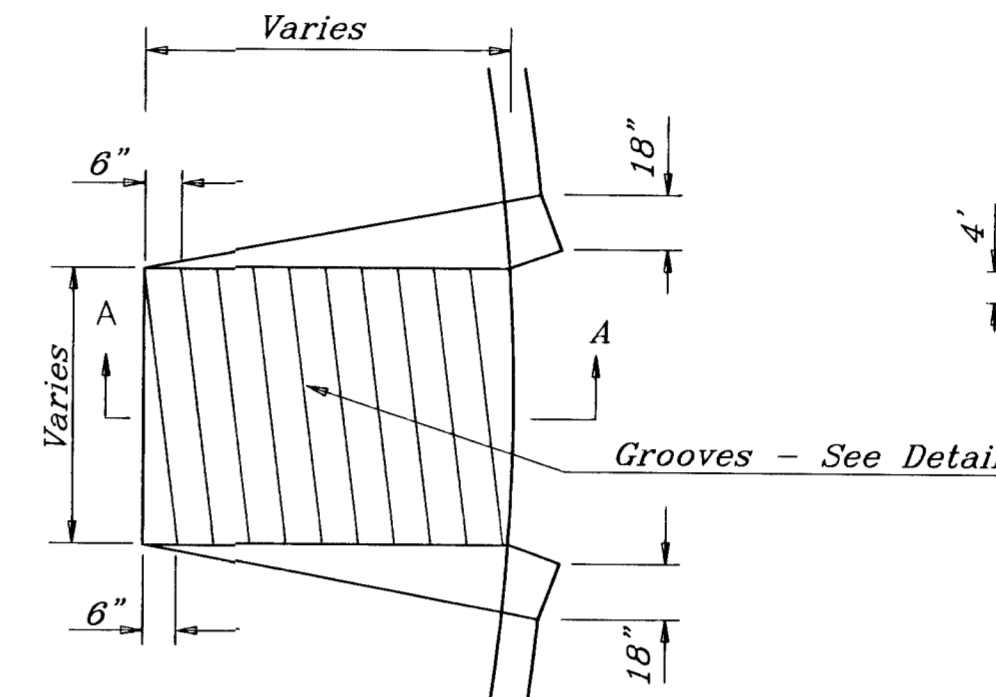


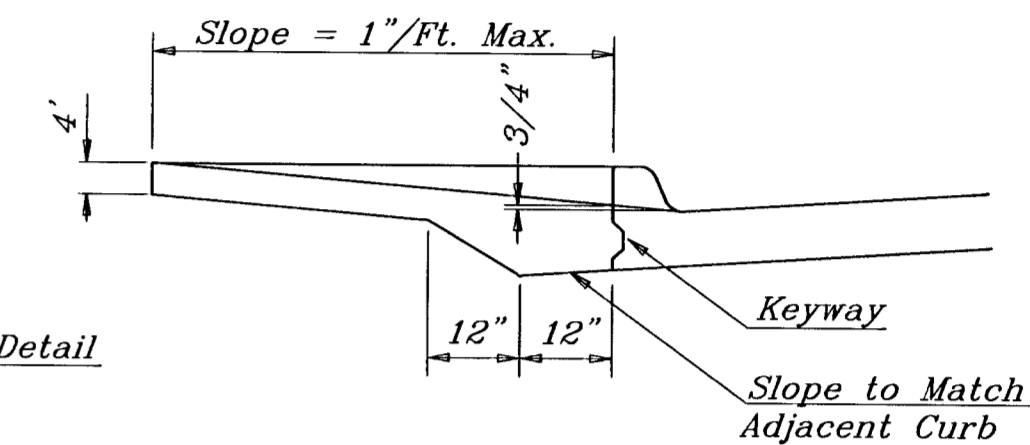
LONGITUDINAL JOINT DETAIL (L.J.)



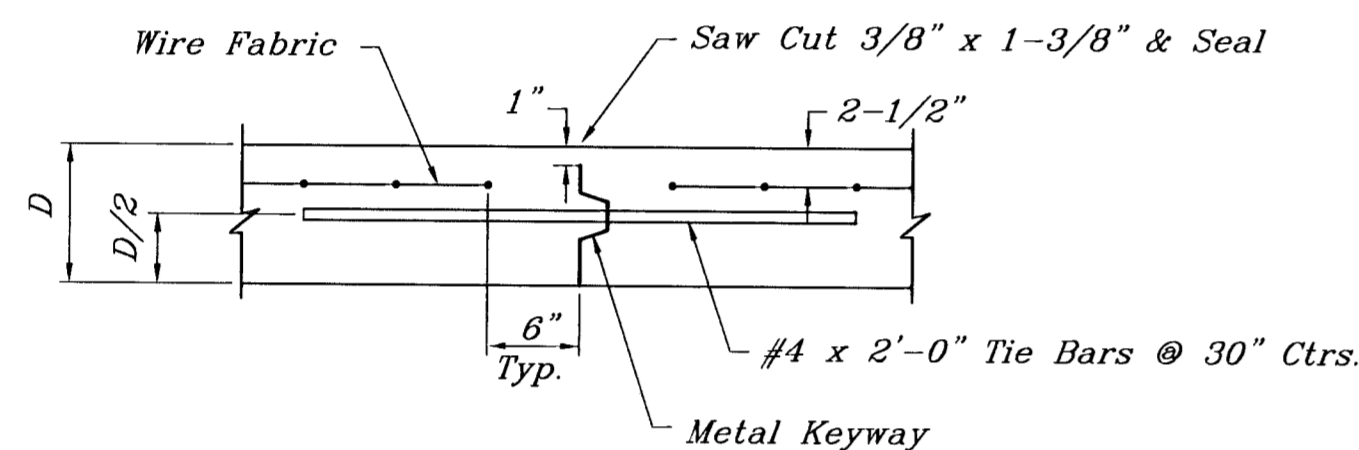
WING REINFORCING DETAIL



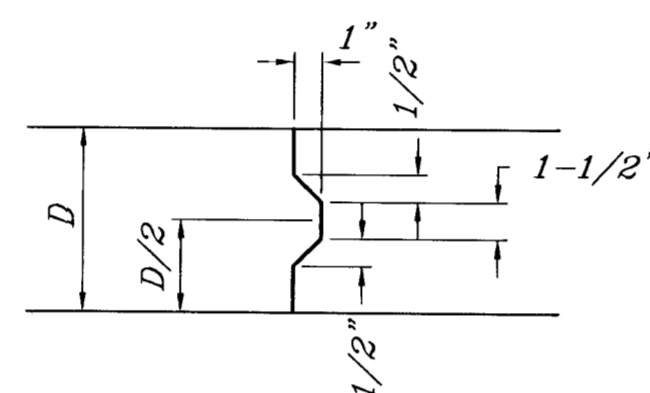
WHEELCHAIR RAMP PLAN VIEW



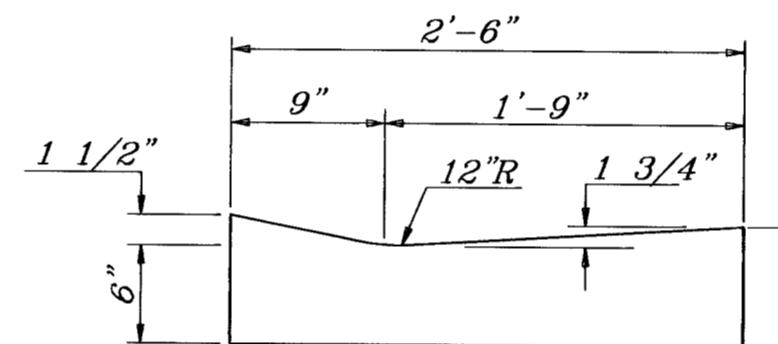
SECTION A-A



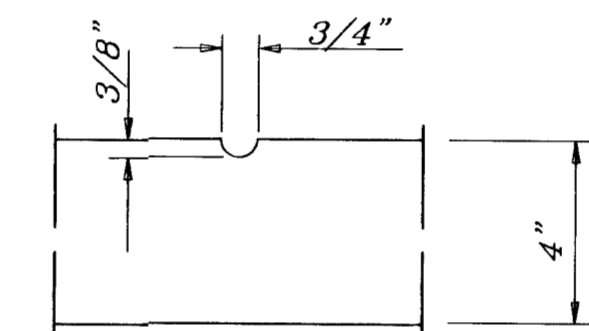
**OPTIONAL LONGITUDINAL JOINT DETAIL (L.J.)
(CONSTRUCTION JOINT)**



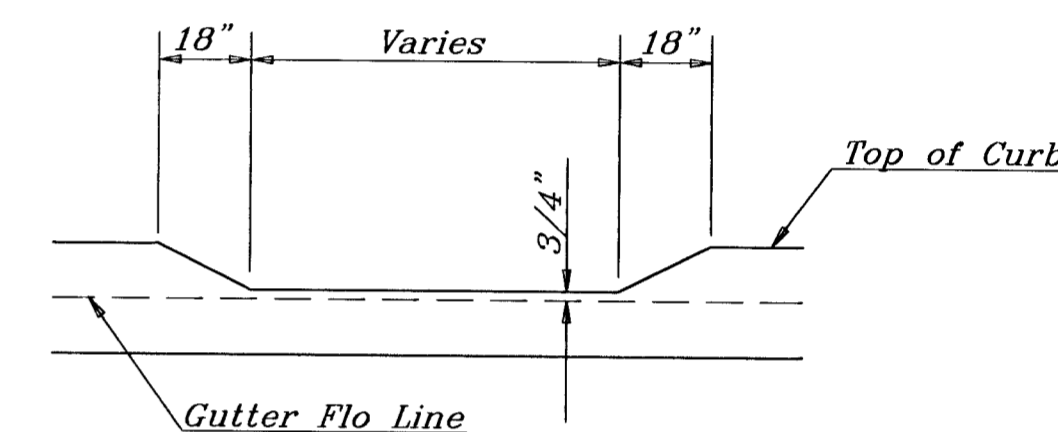
KEYWAY DETAIL



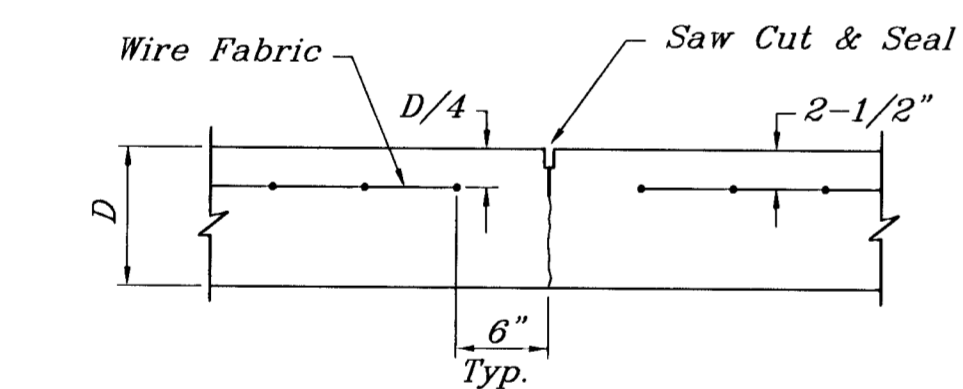
**COMBINED CURB & GUTTER (1 1/2")
AT DRIVEWAY LOCATIONS**



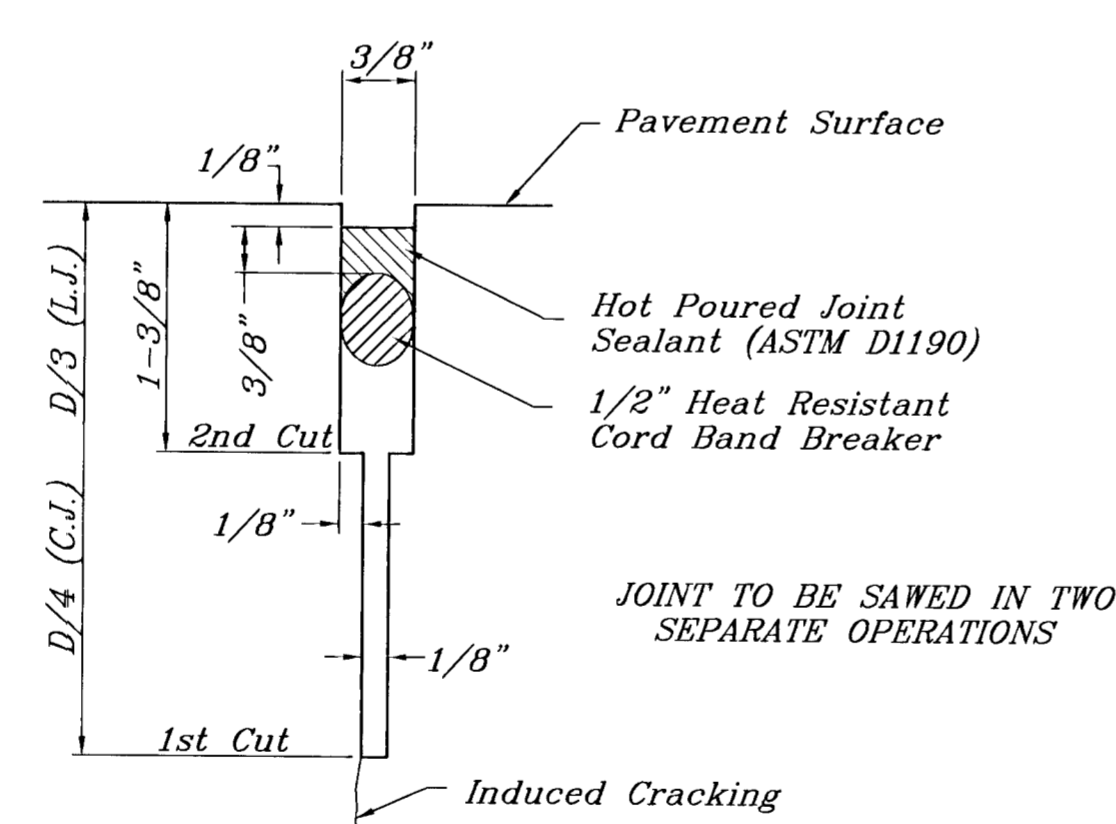
GROOVE DETAIL



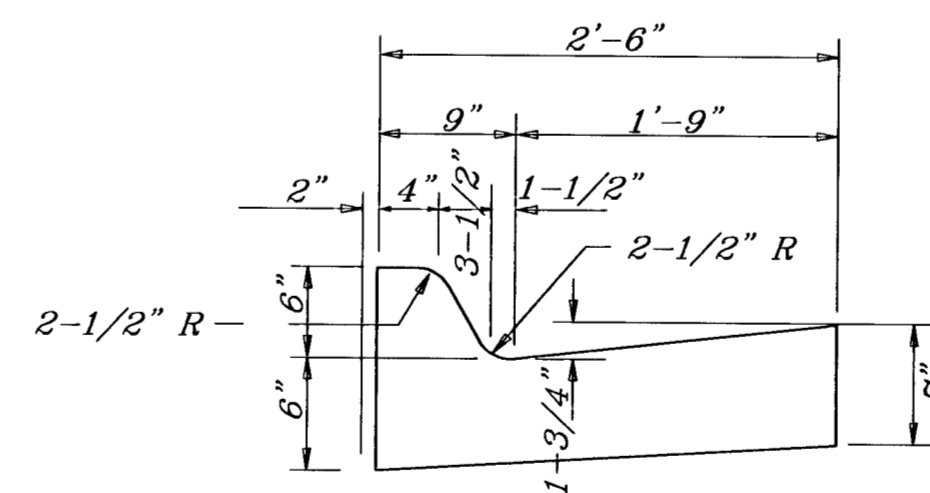
DEPRESSED CURB DETAIL



CONSTRUCTION JOINT DETAIL (C.J.)

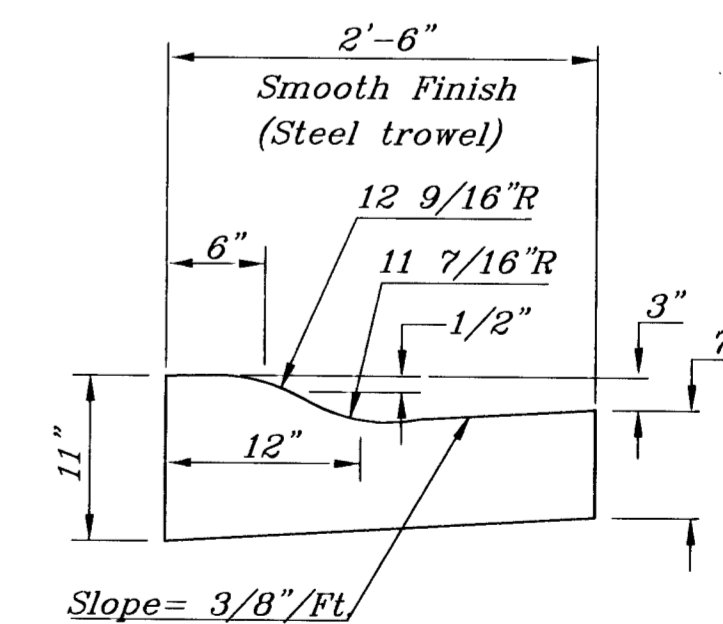


SAW JOINT DETAIL

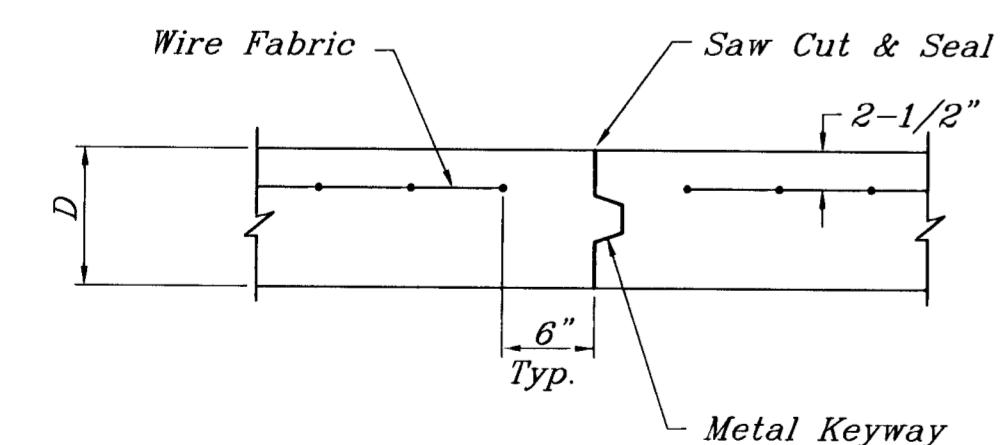


**COMBINED CURB & GUTTER (6")
TYPE 1**

WHEELCHAIR RAMP PLAN VIEW



**COMBINED CURB & GUTTER -
TYPE II SPECIAL (2'-6" WIDTH)**



**OPTIONAL CONTRACTION JOINT DETAIL
(CONSTRUCTION JOINT)**

PROJECT NUMBER 472-83131		SHEET NAME Pavdet		ENGINEERING DIRECTORY F:\37woodlawn\details	
DESIGN JFB	DRAWN KWR	APPROVED JFB	DATE April 01	SCALE NONE	BAUGHMAN NO 99-04-E338

STREET IMPROVEMENT
PAVEMENT DETAILS
BRUSH CREEK 3RD ADDITION

BAUGHMAN COMPANY, P.A.
ENGINEERING, SURVEYING, & PLANNING
316-262-7271 • 315 ELLIS • WICHITA, KANSAS 67211