

BENCHMARKS:
 R.R. Spike in N. Side of Power Pole
 780' E. of C. 151st. W. & 60' N.
 of Section Line on Kellogg.
 Elev. = 202.07 (City Datum)

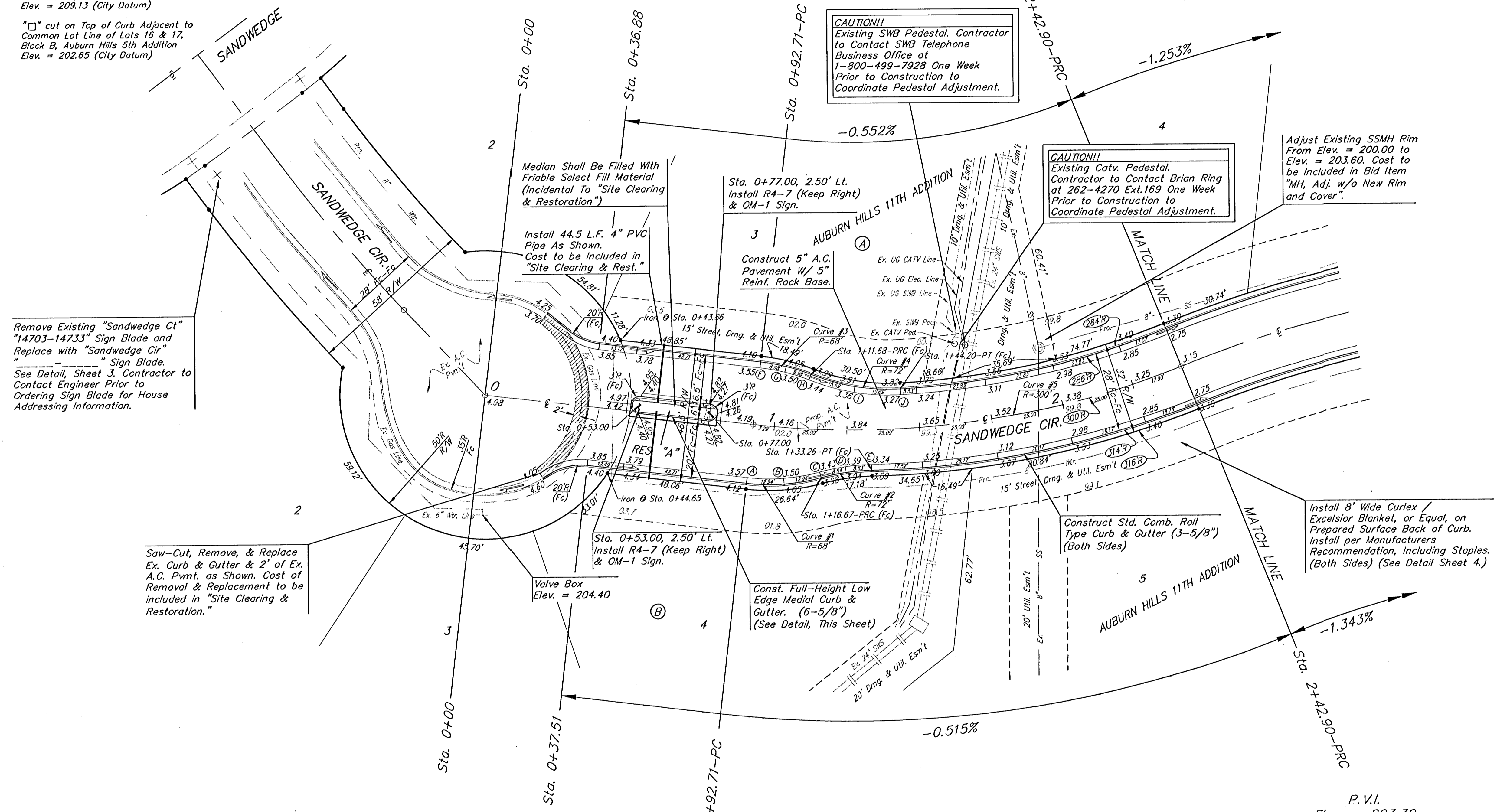
R.R. Spike in Power Pole 493' N. &
 30' E. of Section Corner @ 151st. W.
 & Kellogg, adjacent to S.S. Lift Station.
 Elev. = 207.28 (City Datum)

Top of 1" Iron 12" Deep, W1/4 Cor.,
 Sec. 26, Twp. 27-S, R-2-W.
 Elev. = 209.13 (City Datum)

"□" cut on Top of Curb Adjacent to
 Common Lot Line of Lots 16 & 17,
 Block B, Auburn Hills 5th Addition
 Elev. = 202.65 (City Datum)

P.V.I.
 Elev. = 203.30
 NO V.C.

Scale:
 1" = 20'
 • = Iron



Remove Existing "Sandwedge Cir"
 "14703-14733" Sign Blade and
 Replace with "Sandwedge Cir"
 " " Sign Blade.
 See Detail, Sheet 3. Contractor to
 Contact Engineer Prior to
 Ordering Sign Blade for House
 Addressing Information.

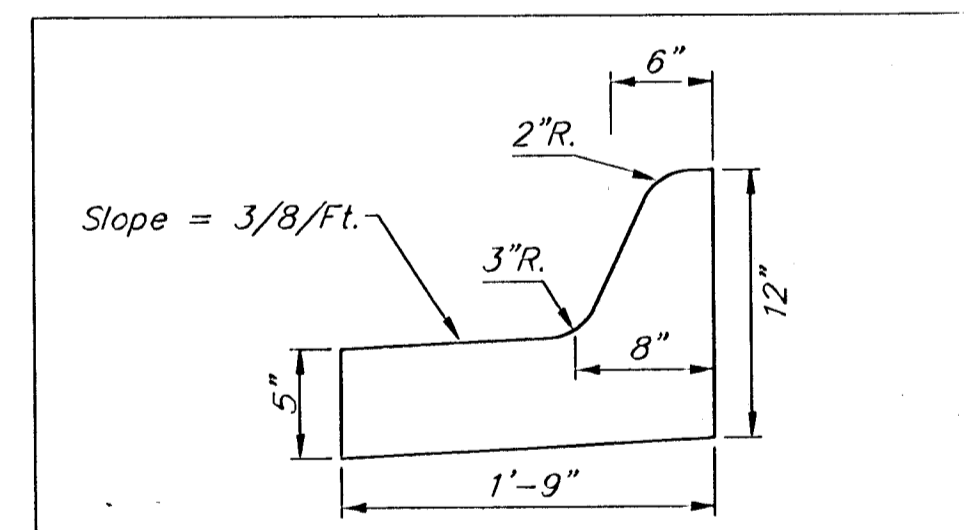
Saw-Cut, Remove, & Replace
 Ex. Curb & Gutter & 2' of Ex.
 A.C. Pvm't. as Shown. Cost of
 Removal & Replacement to be
 included in "Site Clearing &
 Restoration."

CAUTION!!
 Existing SWB Pedestal. Contractor
 to Contact SWB Telephone
 Business Office at
 1-800-499-7928 One Week
 Prior to Construction to
 Coordinate Pedestal Adjustment.

CAUTION!!
 Existing Catv. Pedestal.
 Contractor to Contact Brian Ring
 at 262-4270 Ext.169 One Week
 Prior to Construction to
 Coordinate Pedestal Adjustment.

Adjust Existing SSMH Rim
 From Elev. = 200.00 to
 Elev. = 203.60. Cost to
 be Included in Bid Item
 "MH, Adj. w/o New Rim
 and Cover".

Install 8' Wide Curlex /
 Excelsior Blanket, or Equal, on
 Prepared Surface Back of Curb.
 Install per Manufacturers
 Recommendation, Including Staples.
 (Both Sides) (See Detail Sheet 4.)



Medial Curb Detail
 (Low Edge)
 Not to Scale

Note: To be paid as Medial Curb & Gutter (6 5/8")

P.V.I.
 Elev. = 203.30
 NO V.C.

NOTE: ROLL TYPE CURB & GUTTER TO
 BE CONSTRUCTED ON THE
 PAVEMENT SHOWN ON THIS SHEET.
 TOP OF CURB ELEVATIONS ARE
 GIVEN FOR FULL HEIGHT CURB.

Curve #1
 Curve Data Based on Face of Curb
 Rad. = 68' Delta = 21° 48' 33" Tangent = 13.10'
 Arc = 25.88' L.C. = 25.73' Def/Fl. = 25.28111 Min.

Station	Arc	8 RL	Def.	T. Def.
A	-	-	0'00"00"	0'00"00"
B	12.94'	14.44'	5'27"08"	5'27"08"
C	12.94'	14.44'	5'27"08"	10'54'17"

Curve #2
 Curve Data Based on Face of Curb
 Rad. = 72' Delta = 14° 03' 55" Tangent = 8.88'
 Arc = 17.67' L.C. = 17.63' Def/Fl. = 23.87993 Min.

Station	Arc	8 RL	Def.	T. Def.
A	-	-	0'00"00"	0'00"00"
B	8.84'	7.86'	3'31"06"	3'31"06"
C	8.83'	7.85'	3'30"52"	7'01"58"

Curve #3
 Curve Data Based on Face of Curb
 Rad. = 68' Delta = 15° 08' 02" Tangent = 9.03'
 Arc = 17.96' L.C. = 17.91' Def/Fl. = 25.27932 Min.

Station	Arc	8 RL	Def.	T. Def.
F	8.98'	10.03'	3'47"01"	3'47"01"
G	8.98'	10.03'	3'47"01"	7'34"01"

Curve #4
 Curve Data Based on Face of Curb
 Rad. = 72' Delta = 24° 58' 06" Tangent = 15.94'
 Arc = 31.38' L.C. = 31.13' Def/Fl. = 23.87030 Min.

Station	Arc	8 RL	Def.	T. Def.
H	-	-	0'00"00"	0'00"00"
I	15.69'	13.92'	6'14"32"	6'14"32"
J	15.69'	13.92'	6'14"31"	12'29"03"

Curve #5
 Curve Data Based on Centerline
 Rad. = 300' Delta = 28° 41' 04" Tangent = 76.70'
 Arc = 150.19' L.C. = 148.63' Def/Fl. = 5.72963 Min.

Station	Arc	8 RL	8 RL	Def.	T. Def.
0+92.71	-	-	-	0'00"00"	0'00"00"
1+00.00	7.29'	-	-	0'41"46"	0'41"46"
1+25.00	25.00'	-	-	2'23"15"	3'05"01"
1+33.26	8.26'	-	8.87'	0'47"19"	3'52"20"
1+44.20	10.94'	10.14'	11.74'	1'02"41"	4'55"01"
1+50.00	5.80'	5.37'	6.23'	0'33"14"	5'28"15"
1+75.00	25.00'	23.16'	26.83'	2'23"14"	7'51"29"
2+00.00	25.00'	23.16'	26.83'	2'23"15"	10'14"44"
2+25.00	25.00'	23.16'	26.83'	2'23"14"	12'37"58"
2+42.90	17.90'	16.59'	19.21'	1'42"54"	14'20"32"

AUBURN HILLS 11TH ADDITION
SANDWEDGE CIR.
 STA. 0+00 TO STA. 2+42.90

BAUGHMAN COMPANY P.A.
 ENGINEERING, SURVEYING, & PLANNING

316-262-7271 • 315 ELLIS • WICHITA, KANSAS

PROJECT NUMBER
472-83403

DESIGN: BLP DRAWN: DC APPROVED: DATE: 08-01 SCALE: NOTED

17