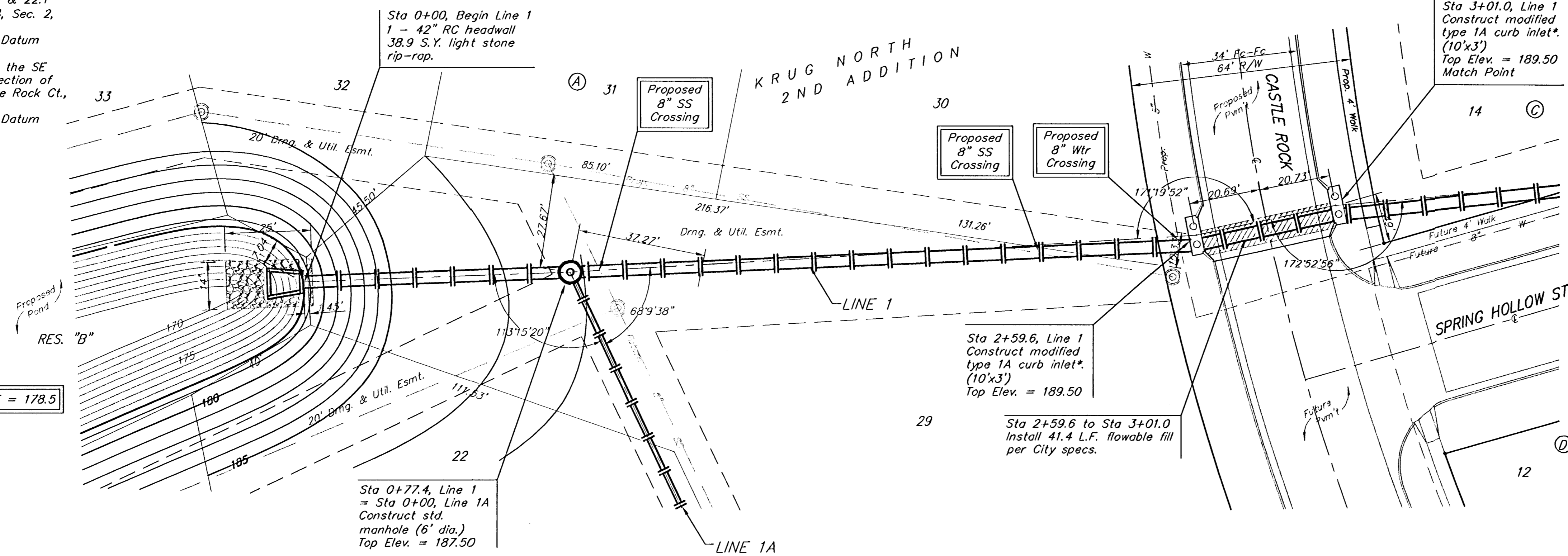


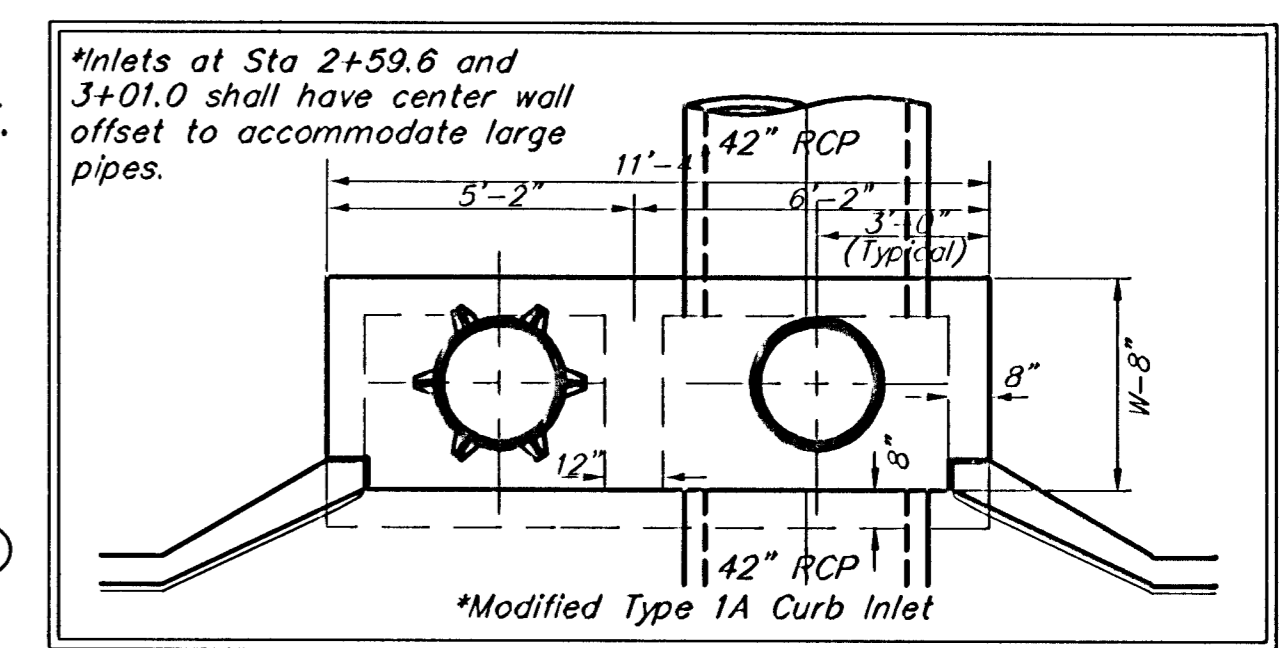
BENCHMARK:  
 BM #1: "□" Cut in middle of  
 N headwall of RCBC on 21st  
 St. North. 1004.3' W & 22.1'  
 N of SE Cor., SE1/4, Sec. 2,  
 T-27-S, R-2-E.  
 Elev. = 173.23 City Datum

BM #2: "□" Cut at the SE  
 corner of the intersection of  
 Castle Rock & Castle Rock Ct.,  
 Krug North Addition.  
 Elev. = 183.50 City Datum

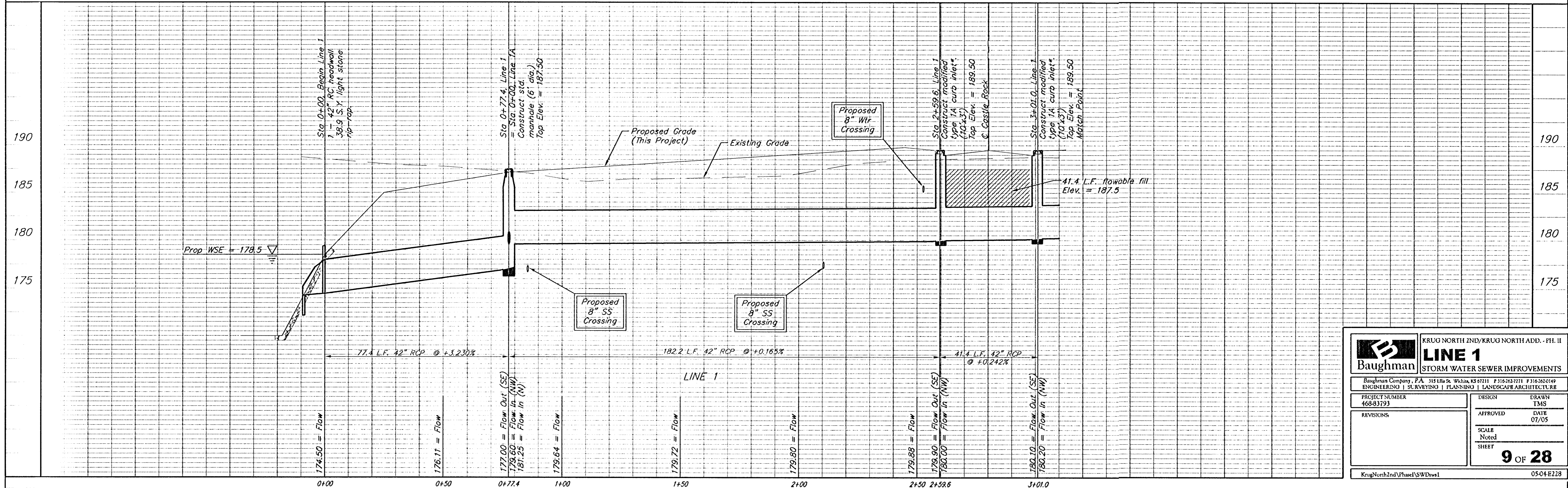
Prop WSE = 178.5



Scale: 1" = 20' Horizontal  
 1" = 5' Vertical  
 • = Iron



Remove trees only as necessary  
 for storm sewer construction and  
 only with permission of Developer  
 or Baughman Co. Cost of  
 removal to be incidental to lump  
 sum bid item "Site Clearing &  
 Restoration".



<b>Baughman</b>		KRUG NORTH 2ND/KRUG NORTH ADD. - PH. II	
<b>LINE 1</b>		STORM WATER SEWER IMPROVEMENTS	
Baughman Company, P.A. 315 Ellis St. Wichita, KS 67211 P. 316.263.7271 F. 316.262.0149			
ENGINEERING   SURVEYING   PLANNING   LANDSCAPE ARCHITECTURE			
PROJECT NUMBER 468-83793	DESIGN	DRAWN TMS	DATE 07/05
REVISIONS:	APPROVED	SCALE Noted	SHEET
			<b>9 OF 28</b>
KrugNorth2ndPhase1SWDws1			05-04-E228