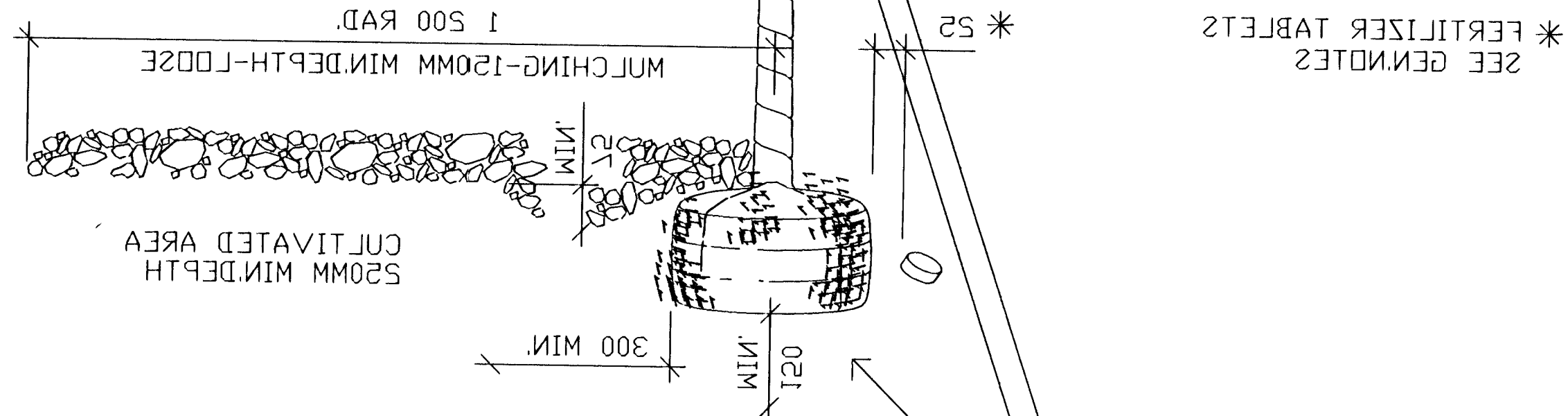


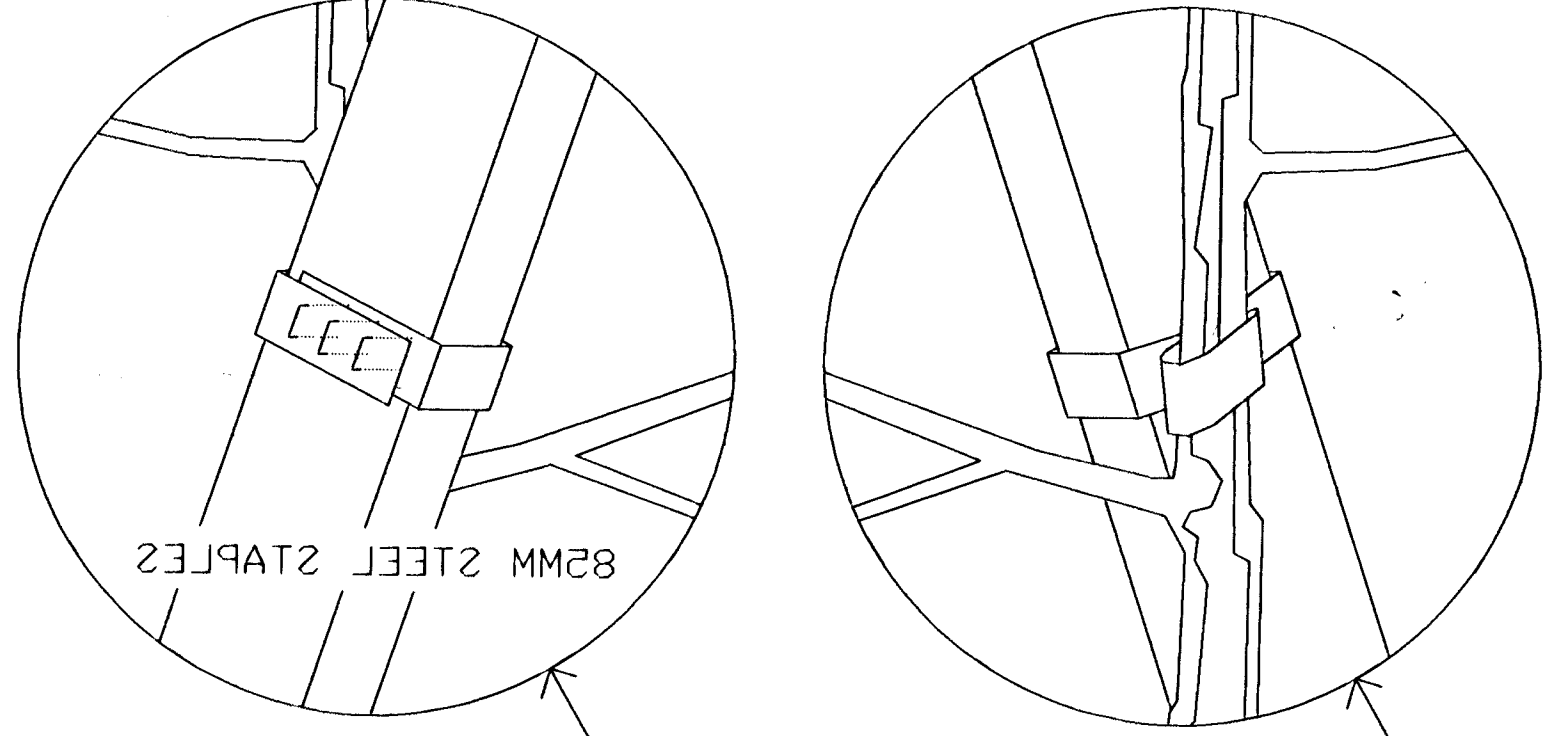
**STAKING, FERTILIZING & MULCHING
 EVERGREENS OR ORNAMENTAL TREES**

SEE GENERAL NOTES
 FIRM BELOW BALL.
 PLANTING SOIL MIX-TYP.



TREE TIE DETAIL

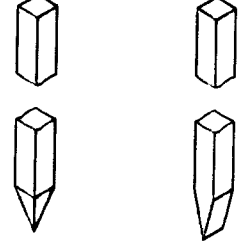
NOTE:
 IF APPROVED BY THE ENGINEER.
 THE METHODS AND MATERIALS MAY BE USED
 WOVEN NYLON TIE PER TREE. OTHER TREE
 1-25MM X 375MM MIN. VINYL IMPREGNATED
 82MM STEEL STAPLES



**AND EVERGREEN TREES
 STAKING DECIDUOUS**

TREE	STAKE SIZE
900 - 1,200MM	50MM X 50MM X 1,500MM MIN.
1,200 - 1,800MM	50MM X 50MM X 1,800MM MIN.
1,800 - 2,400MM	50MM X 50MM X 2,400MM MIN.

CUTS REQUIRED.
 SHOWN WITH 2 OR 4 DIAGONAL
 NO.1 COMMON, SHARPENED AS
 STAKES SHALL BE MIN. GRADE



NOTE:
 BOTTOM OF ALL TREES.
 SIZEL YARN AT TOP AND
 ELECTRICAL TAPE OR
 WITH STRETCHABLE PLASTIC
 WRAPPING PAPER & SECURE
 BRANCH WITH 2-PLY TREE
 HEIGHT OF THE FIRST
 WRAP THE TRUNK TO THE

PLANT LIST

QTY	BOTANICAL NAME	COMMON NAME	SIZE	COND.
23	Ulmus parvifolia	Lacepark Elm	20mm B & B	
22	Quercus borealis	Northern Red Oak	20mm B & B	
2	Malus species 'Spring Snow'	Spring Snow Crabapple	20mm B & B	
10	Malus species 'Prinfire'	Prinfire Crabapple	20mm B & B	
0	Koeleria paniculata	Goldenrain Tree	20mm B & B	
19	Fraxinus pennsylvanica 'Urbaine'	Urbaine Ash	20mm B & B	
32	Chinese pistache	Chinese Pistache	20mm B & B	
31	Acer fremanii 'Autumn Blaze'	Autumn Blaze Maple	20mm B & B	
22	Acer buergerianum	Trident Maple	20mm B & B	
25			20mm B & B	
TOTAL				

Notes:
 1. All turf areas disturbed by construction shall be reseeded.
 2. Removal of existing trees, as necessary, will be done by the paving contractor.

YEAR	SHEET NUMBER	TOTAL SHEETS
1999	45	29

