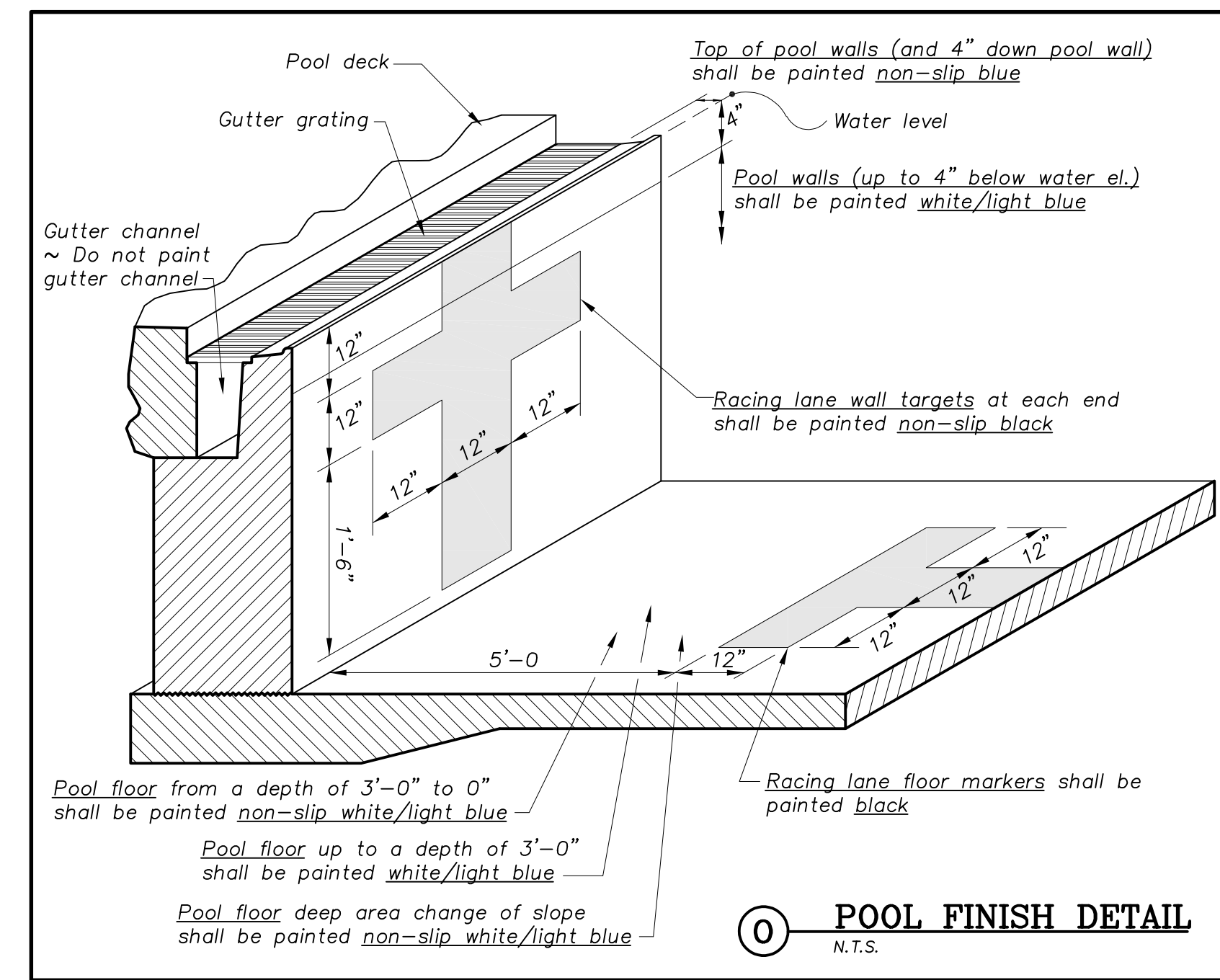
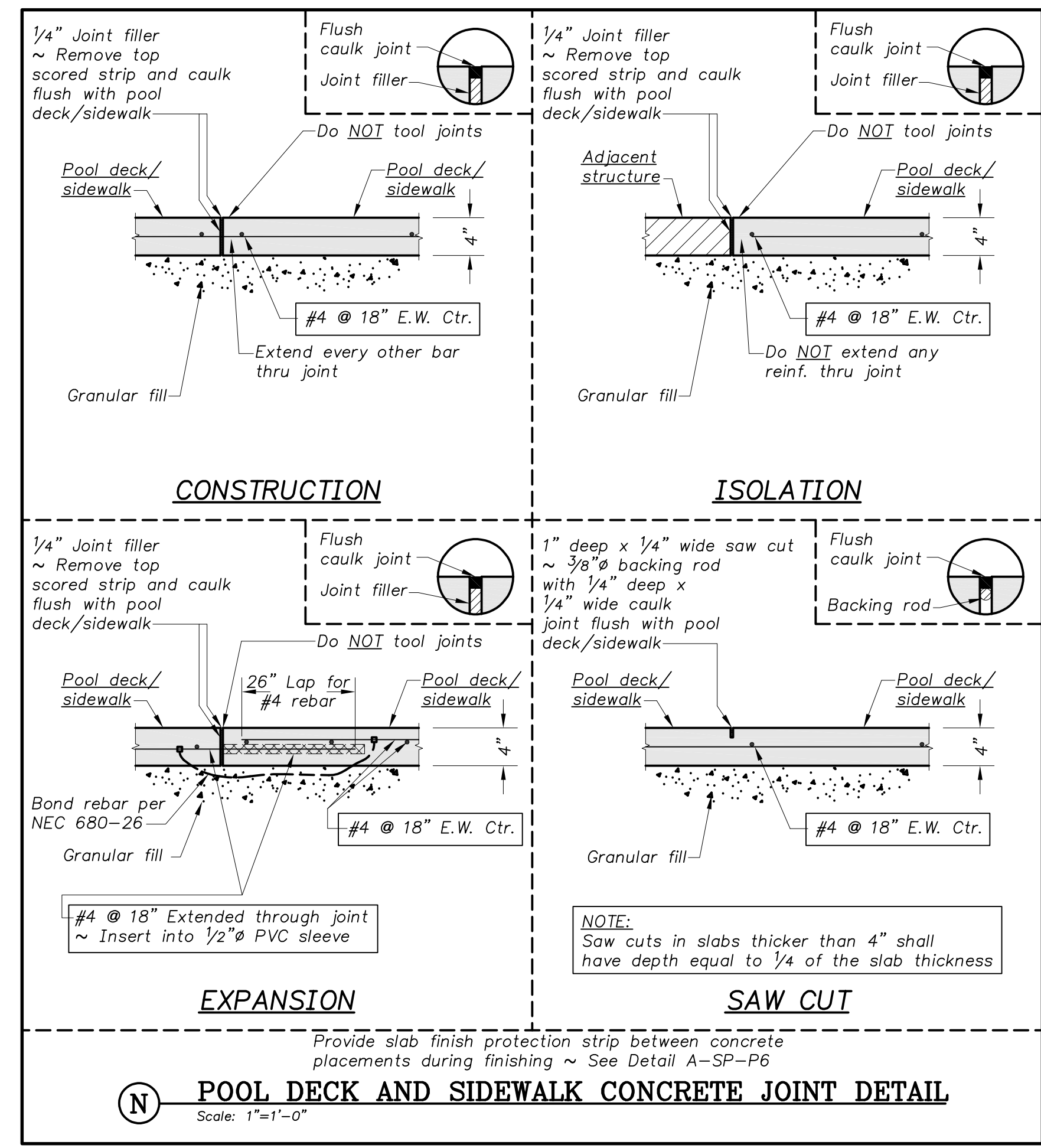
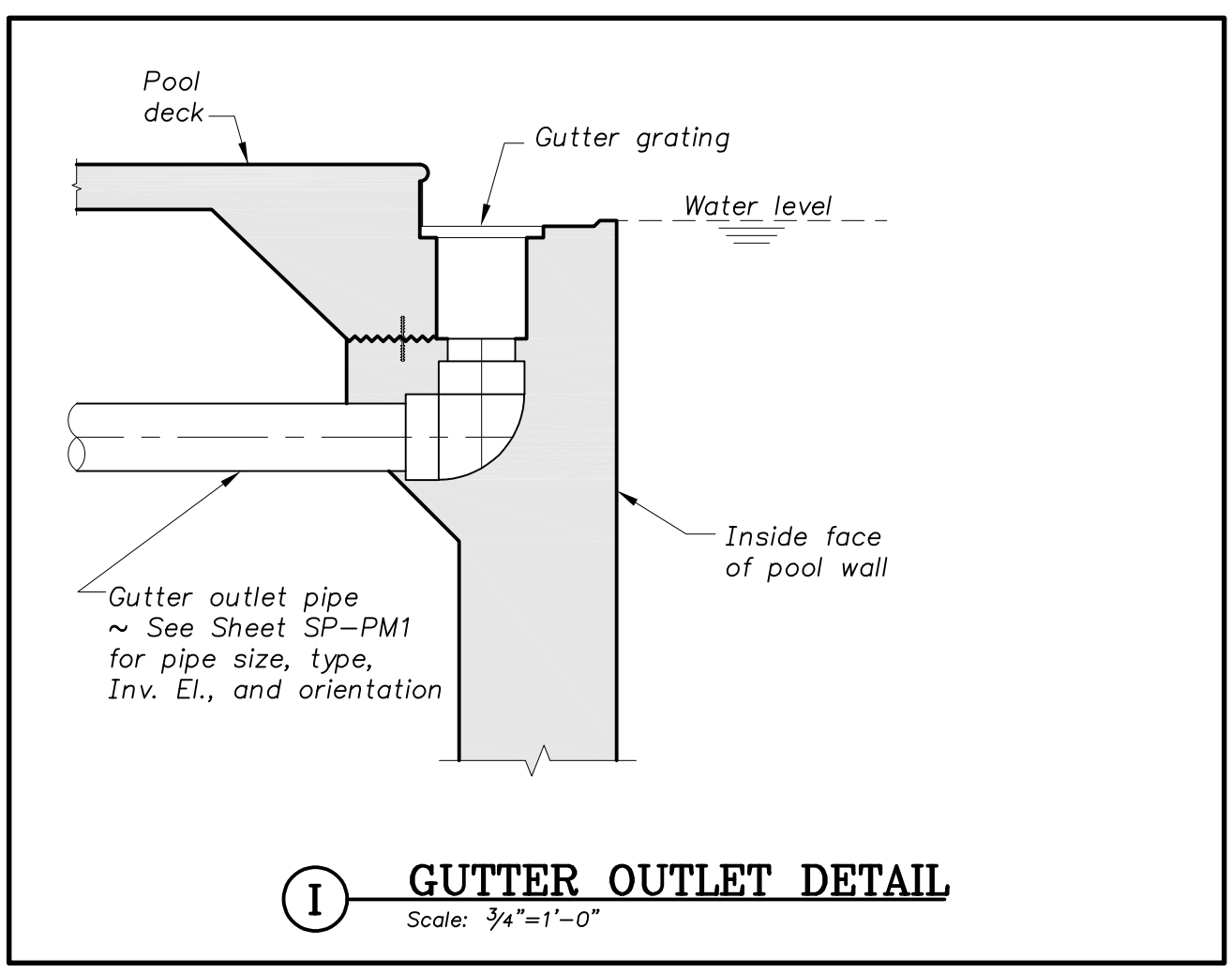
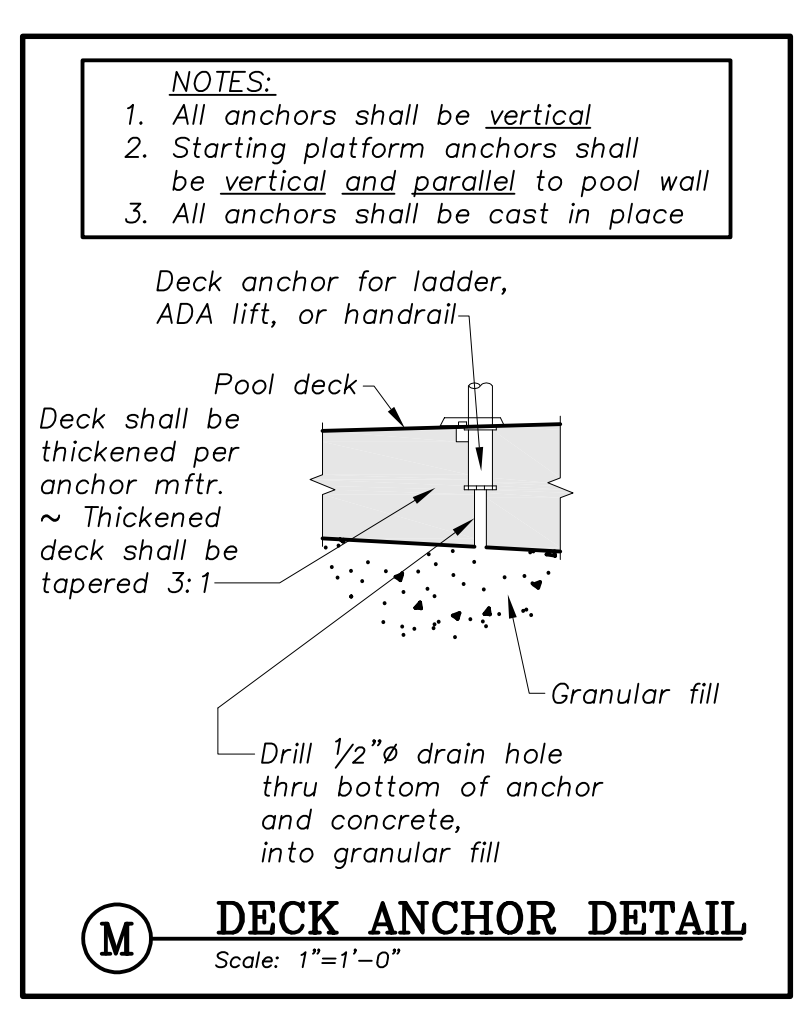
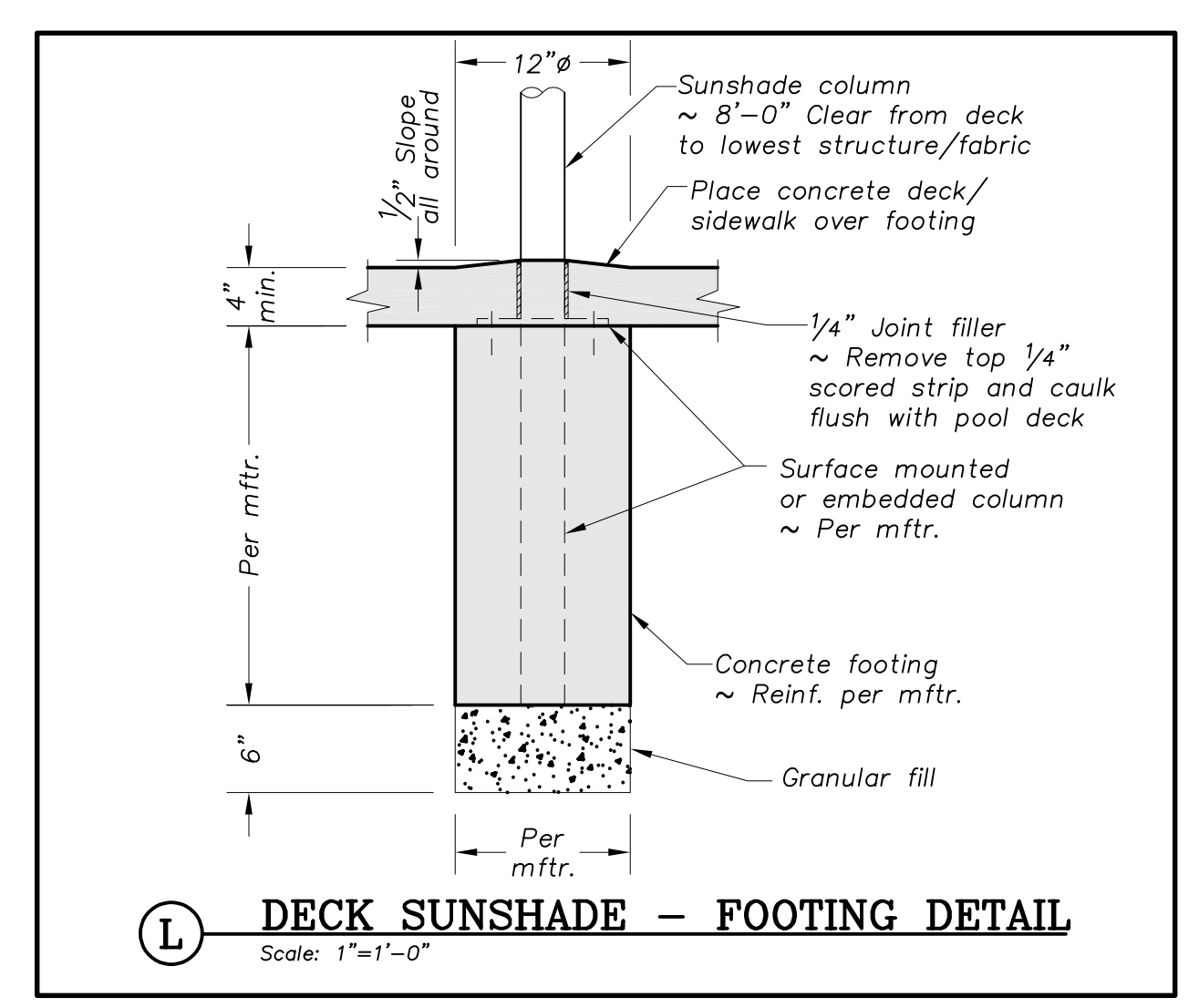
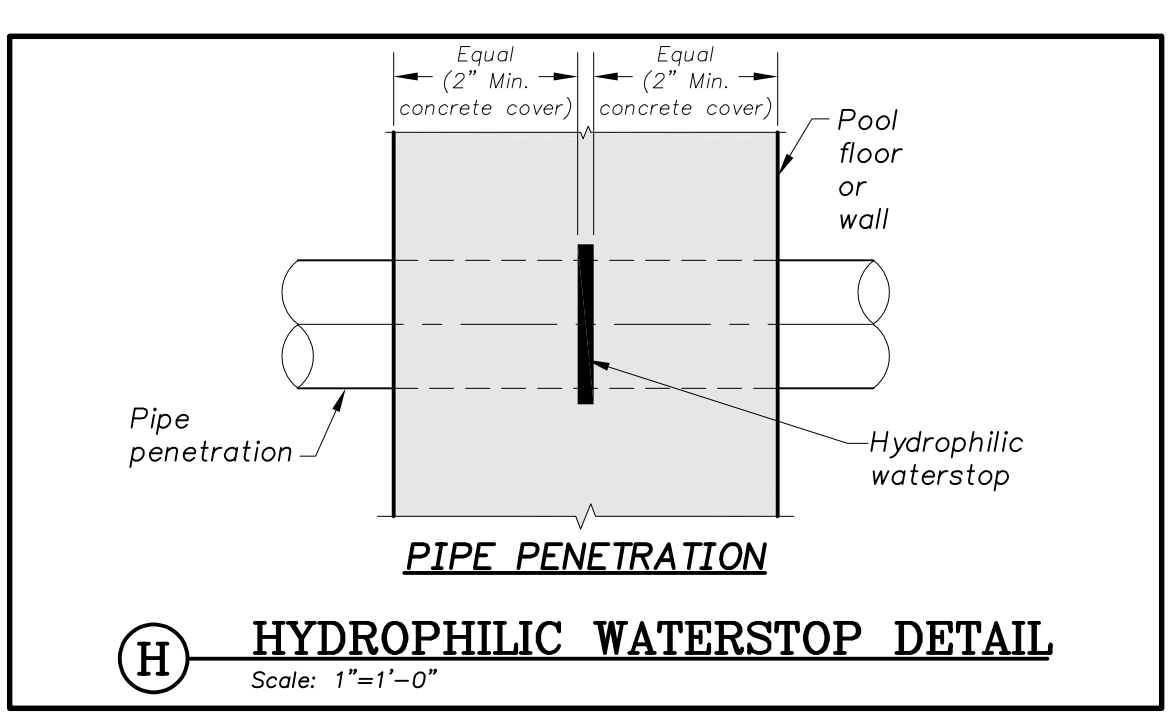
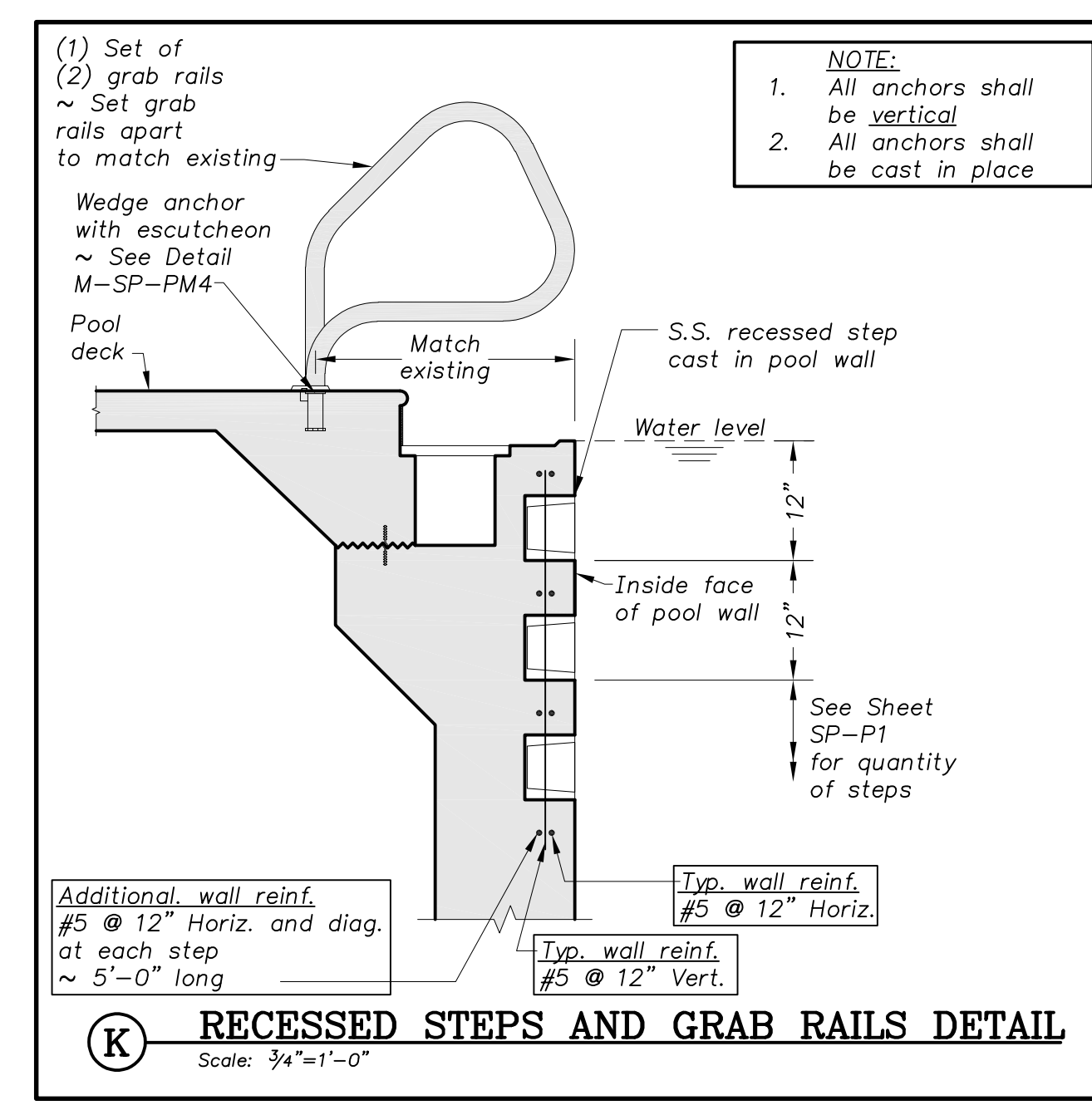
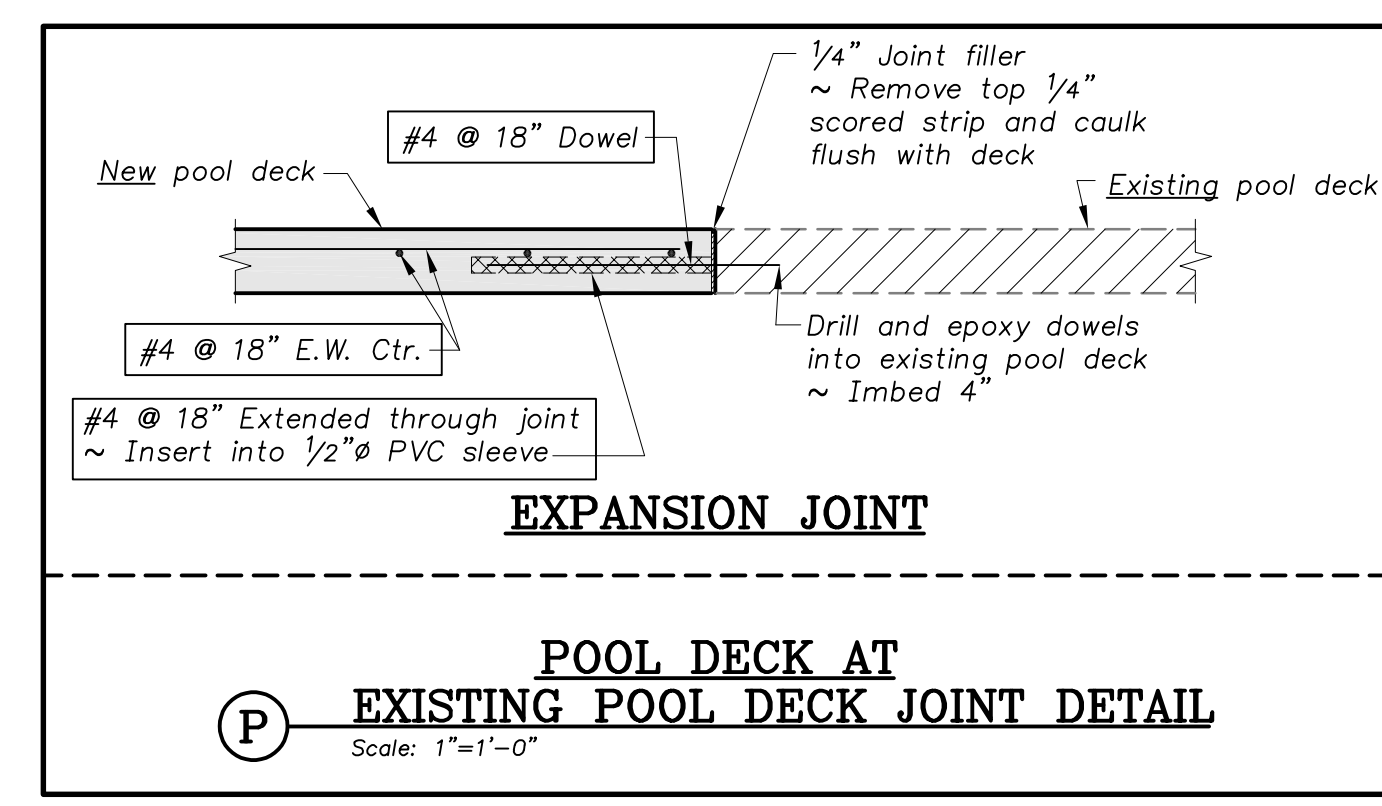


G POOL WALL REINFORCING DETAILS
Scale: 1/2"=1'-0"



- POOL FINISH NOTES**
- Pool basin ~ See Detail at Left
 - Stripe (4" wide) around main drain grate shall be painted black
 - Warning stripe (4" wide) at 5'-0" depth on pool floor and walls shall be painted black ~ Non-slip black on floor
 - ADA ramp landing curb ~ See Detail B-SP-PM3 for finish
- Exposed formed surfaces shall have a grout cleaned finish.

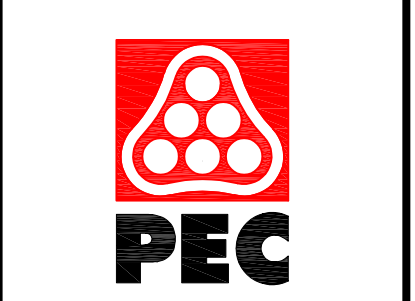


- NOTE:**
- All anchors shall be vertical
 - All anchors shall be cast in place

- NOTES:**
- All anchors shall be vertical
 - Starting platform anchors shall be vertical and parallel to pool wall
 - All anchors shall be cast in place

All colors indicated are approximate and will be selected by Owner and included in project color schedule

Contractor shall provide (3) coats of each color



WICHITA, KANSAS
Pool Improvements
COLLEGE HILL PARK

Seal: **JEFF A. BARTLEY**
LICENSE #15116
PROFESSIONAL ENGINEER
Jeff Bartley - ENGINEER
LICENSE #15116
Date: 09-27-21 Job #: 18-512
Drawn: SRS Checked: JAB
Issue: CONSTRUCTION DOCUMENTS

POOL AREA DETAILS