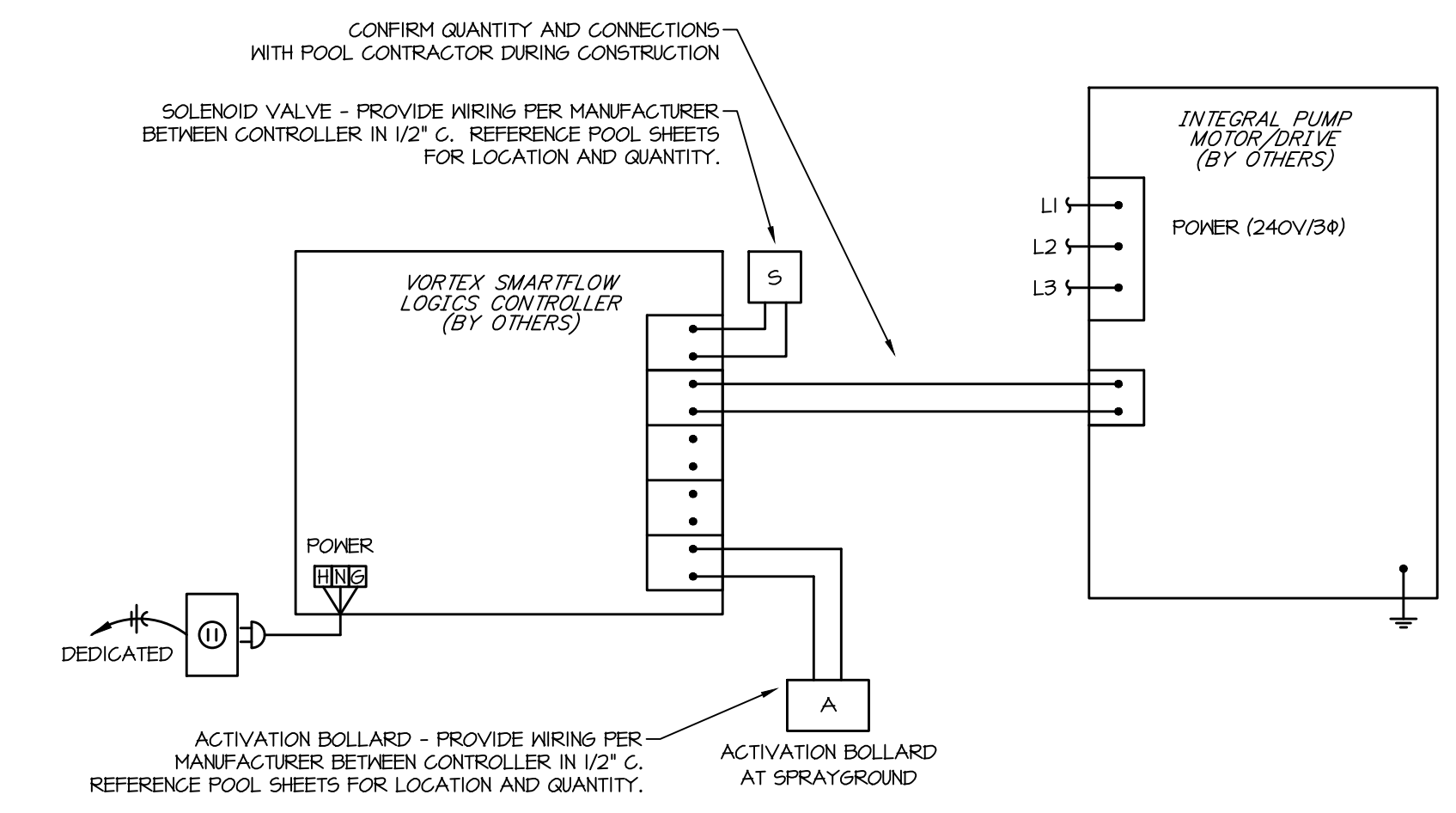
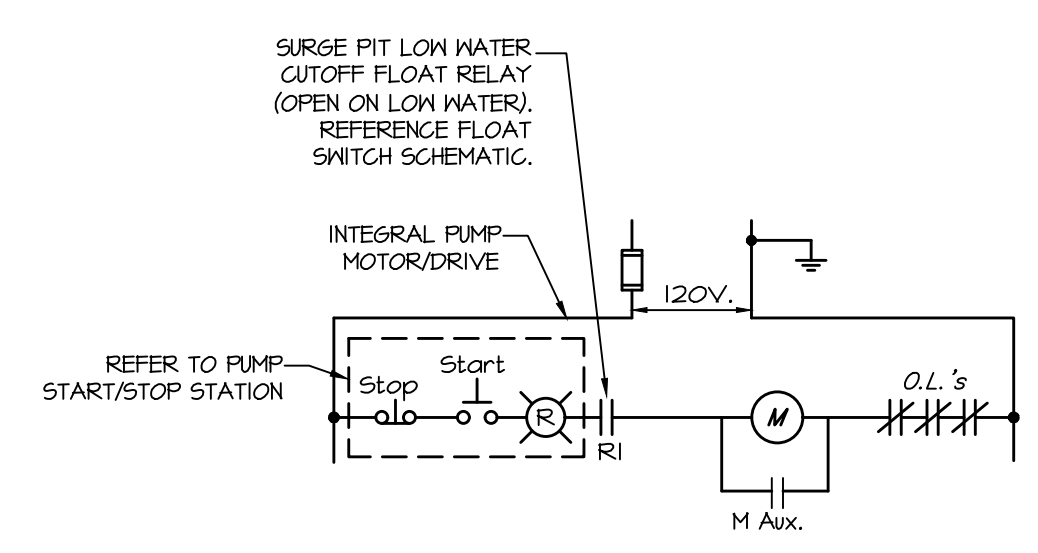


3 Float Switch Schematic
Scale: None

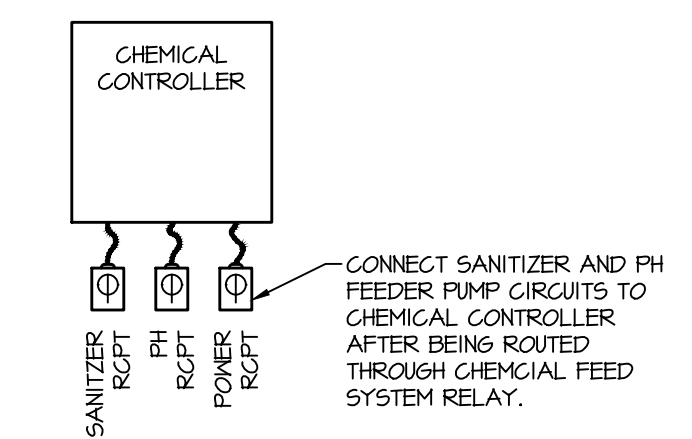
- NOTES:
- A. PROVIDE (1) FLOAT SWITCH PER PIT. INTERLOCK EACH FLOAT SWITCH WITH ALL PUMPS PUMPING FROM ITS RESPECTIVE PIT.
 - B. CONTRACTOR TO PROVIDE ABILITY TO ADJUST FLOATS A MINIMUM OF 6" ABOVE OR BELOW ITS MEDIAN SETTING.
 - C. FLOAT SWITCH IN PIT: SET TO KICK-OFF 4" BELOW MAIN DRAIN FLOAT VALVE SETTING.
 - D. COORDINATE EXACT FLOAT SWITCH LOCATION WITH POOL SHEETS.



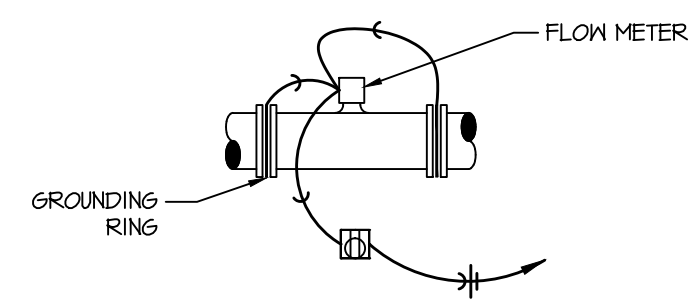
1 Features Pump Control Schematic
Scale: None



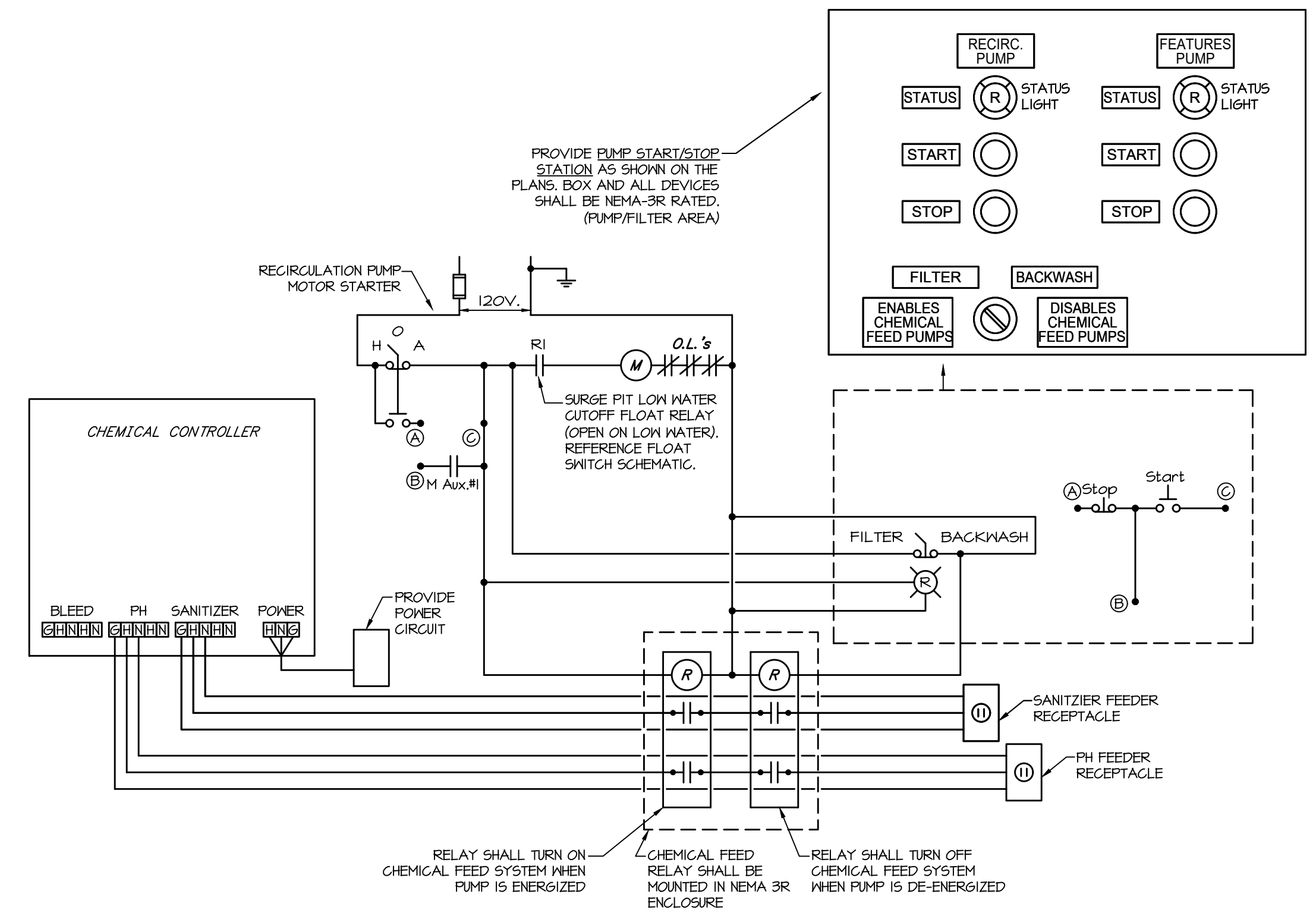
4 Features Pump Start/Stop Control Schematic
Scale: None



5 Chemical Controller Schematic
Scale: None



6 Flow Meter Grounding Detail
Scale: None

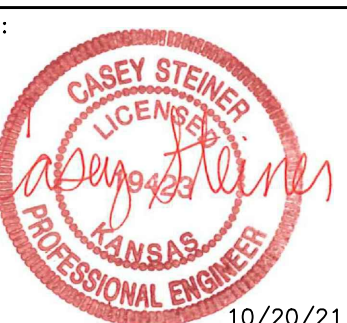


2 Recirculation Pump Control Schematic
Scale: None

ELECTRICAL CONTRACTOR IS TO PROVIDE POOL PUMP CONTROLS, POOL PUMP CONTROLS, FLOAT SWITCHES, STARTERS, VFD'S AND SWITCHES ARE NOT PROVIDED BY THE POOL CONTRACTOR.



WICHITA, KANSAS
Spray Ground
COLLEGE HILL PARK



CASEY JOHN STEINER
LICENSE #19423
Date: 10-20-21 Job #: 18-512
Drawn: CDW Checked: CJS
Issue: CONSTRUCTION DOCUMENTS

ELECTRICAL
DETAILS

SP-E2