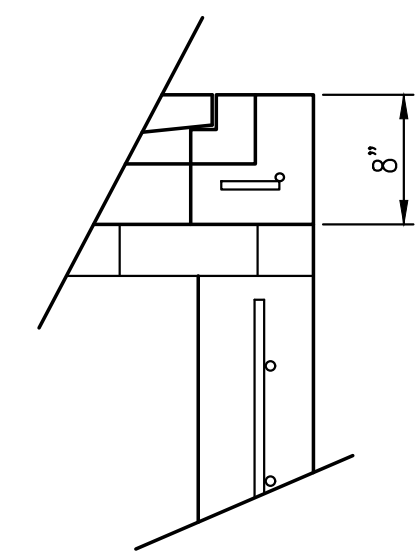
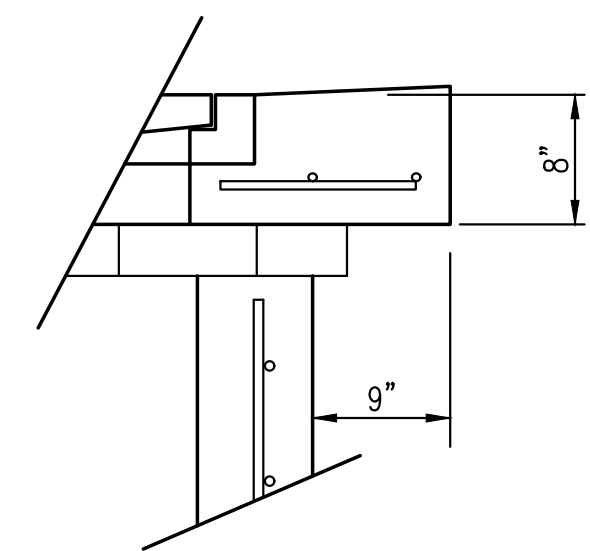


TOP VIEW

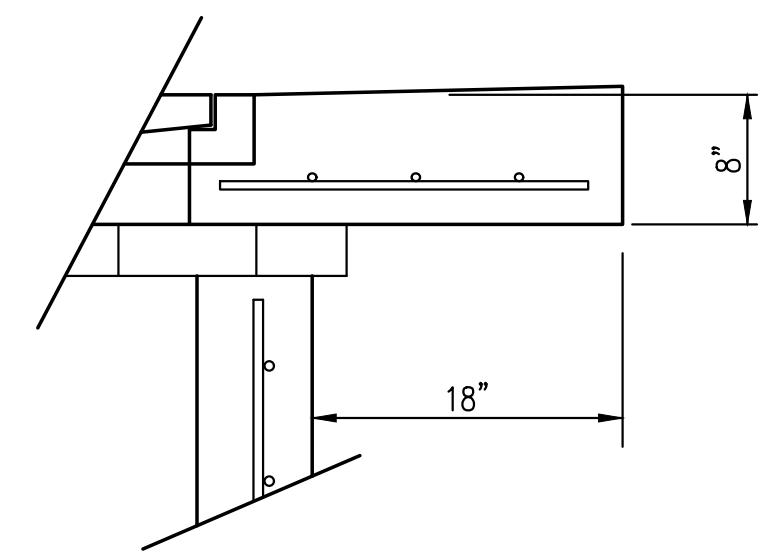


FLUSH STYLE TOP
NO APRON

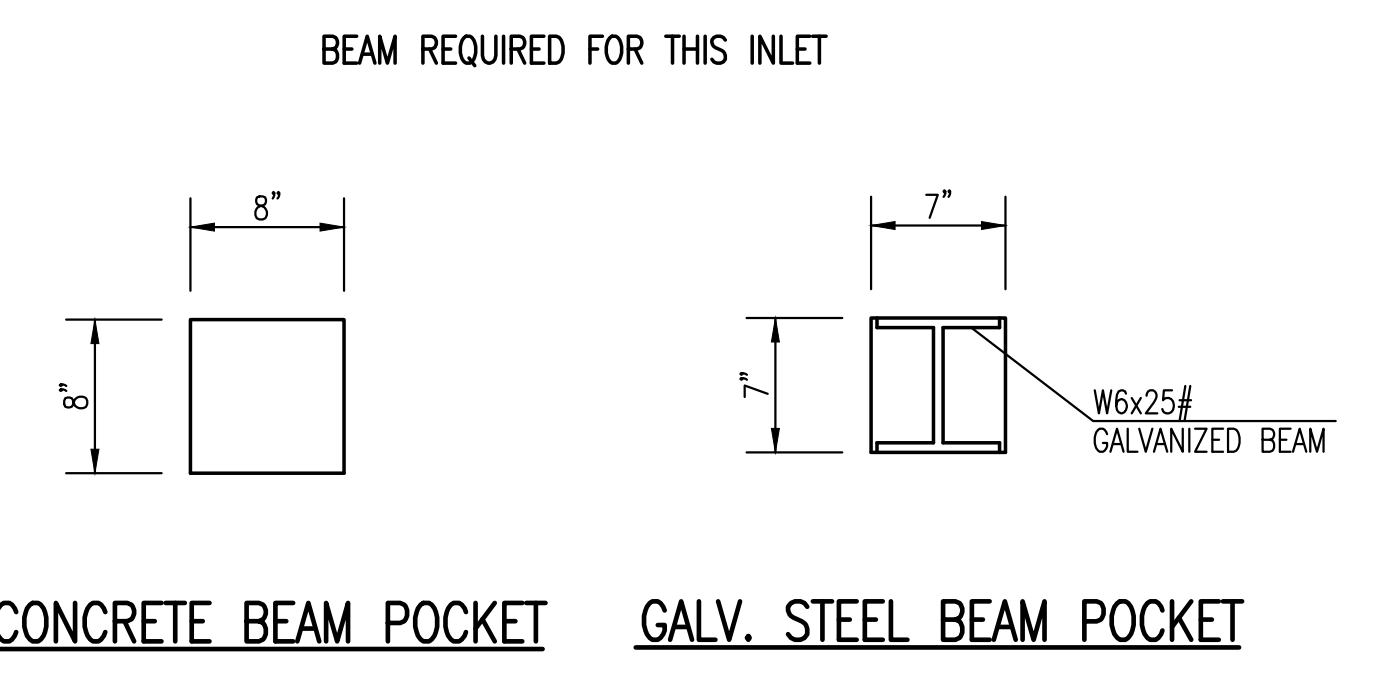


9" APRON

* APRON TO EXTEND ON ALL 4 SIDES OF INLET.
DESIGNER TO DESIGNATE APRON SIZE.



18" APRON



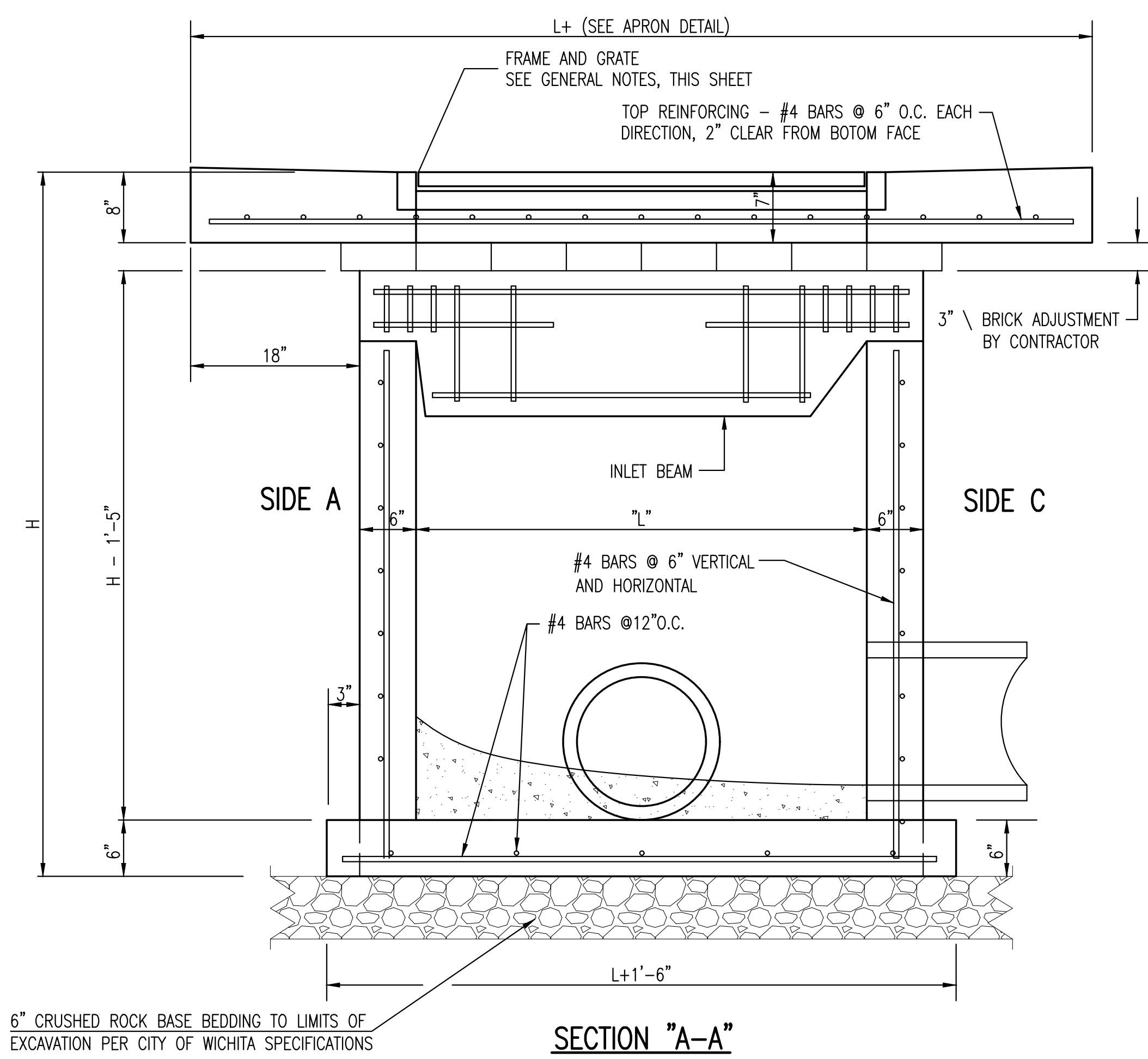
CONCRETE BEAM POCKET GALV. STEEL BEAM POCKET

W=4'-4" and L=4' for DOUBLE DROP INLET

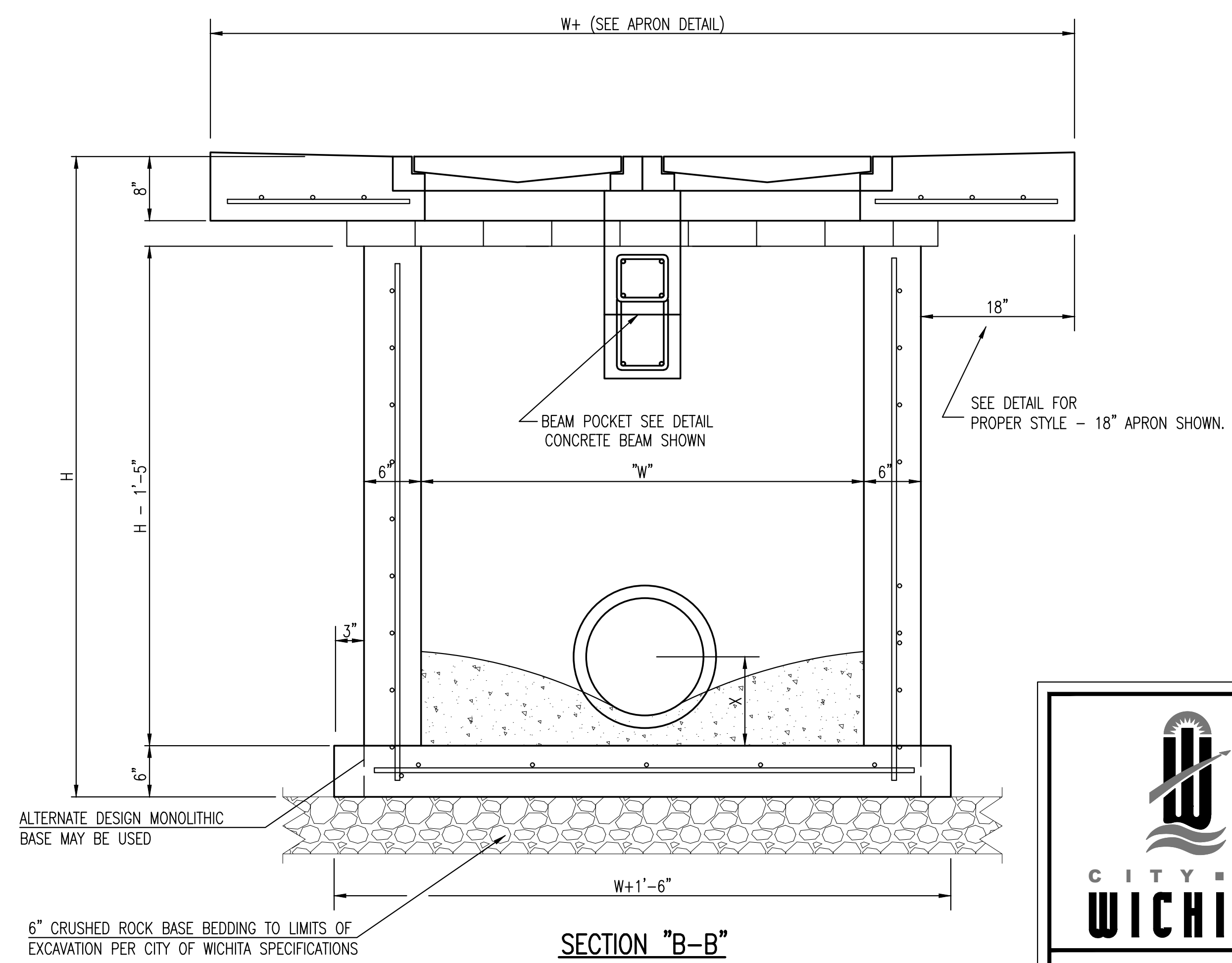
The structure(s) on this detail sheet are designed for HS-20 loading at these specific dimensions only. If larger dimensions are required, the ENGINEER shall provide a project specific structure design for approval by the City Engineer's office.

GENERAL NOTES

1. GRATE FRAME TO BE INSTALLED ON THIN MORTAR CUSHION TO INSURE FULL SUPPORT ALONG BRICK. CONCRETE USED FOR INLET CONSTRUCTION SHALL CONFORM TO CITY OF WICHITA SPECIFICATIONS FOR CONCRETE PAVEMENT MIX.
2. INLET INVERT SHALL BE SHAPED WITH 8 SACK SAND MIX CONCRETE TO CREATE FLOW CHANNELS AND TO INCREASE HYDRAULIC EFFICIENCY SUCH THAT THE INLET WILL BE SELF CLEANING BETWEEN ALL INLET AND/OR OUTLET PIPES.
3. THE ENDS OF ALL PIPES INSTALLED IN INLETS SHALL BE CUT OFF FLUSH WITH THE INSIDE FACE OF THE INLET WALL.
4. INLET FRAME AND GRATE TO BE DEETER #2433, EJIW #5391-Z1 OR APPROVED EQUAL FOR 2'x2' SINGLE DROP INLET AND DEETER #2434, EJIW #5391 Z3 OR APPROVED EQUAL FOR 2'x4' DOUBLE DROP INLET.
5. CONTRACTOR SHALL REMOVE LIFTING HOOKS AFTER INSTALLATION. RECESSES IN INLET WALL SHALL BE GROUTED FLUSH TO THE INLET WALL WITH HYDRAULIC CEMENT AFTER THE INLET IS IN PLACE. LIFTING HOLES THRU THE INLET WALL WILL NOT BE ACCEPTED.



SECTION "A-A"



SECTION "B-B"

REVISED: MARCH 2015

DOUBLE DOUBLE DROP INLET WITH BEAM

CITY ENGINEER
GARY JANZEN, P.E..

PROJECT NUMBER 468-2019-085435	OCA NUMBER ####	DATE OCT. 2021
-----------------------------------	--------------------	-------------------

CITY ENGINEER'S OFFICE
CITY HALL - SEVENTH FLOOR
455 NORTH MAIN STREET
WICHITA, KANSAS 67202-1620
(316) 268-4501

CITY OF WICHITA
PUBLIC WORKS & UTILITIES
ENGINEERING DIVISION

SHEET
03 OF 10

Saved 10-12-2021 3:30:53 PM by KGRAHAM
 Plot Scale 1:1 11-12-2021 2:30:36 PM by LUIS MIGUEL
 J:\Projects\2020\001010338 ICT Capital_135th & Maple\00 20338 CAD\SHITS\05 Civil\Sw\Public\SW-202-Double-Double Drop Inlet

J:\Projects\2020\001010338 ICT Capital_135th & Maple\00 20338 CAD\SHITS\05 Civil\Sw\Public\SW-202-Double-Double Drop Inlet.dwg