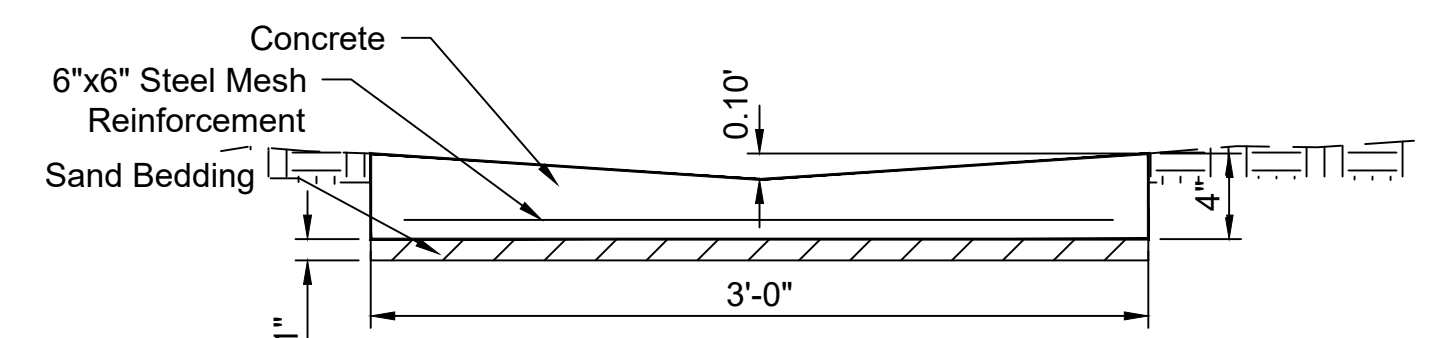
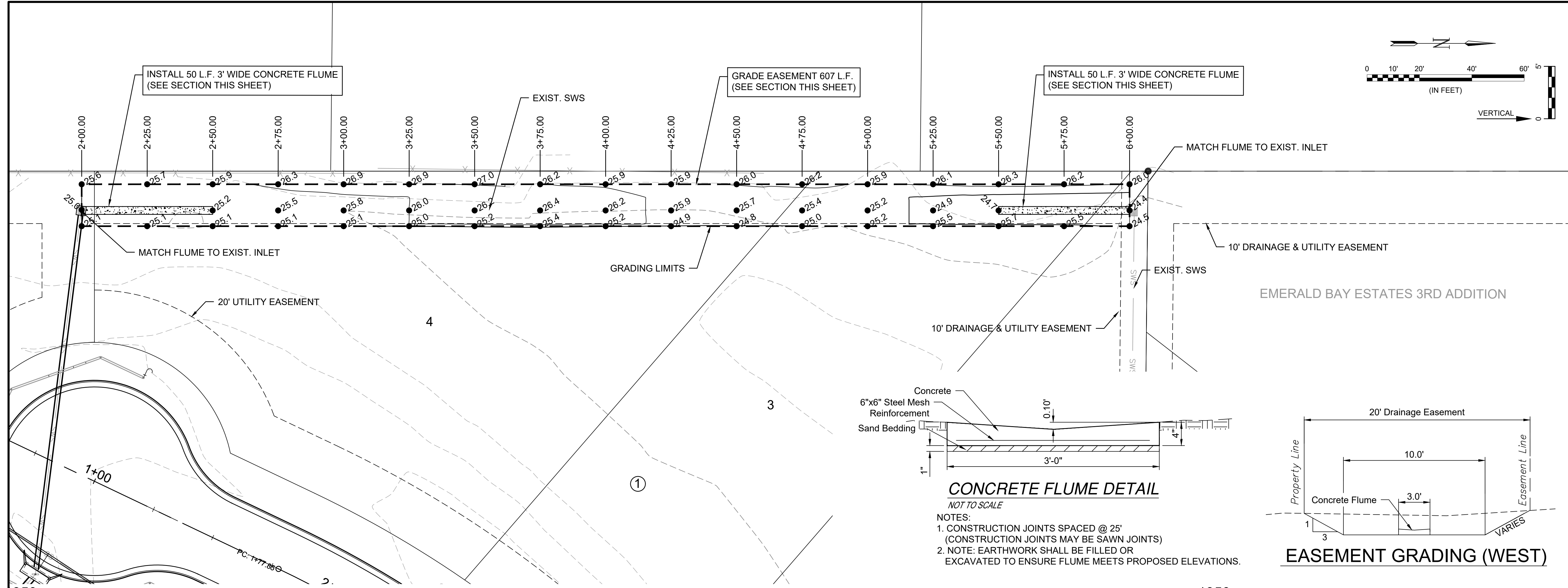
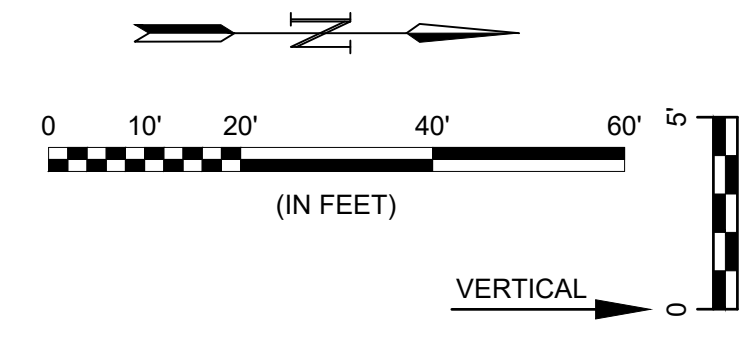




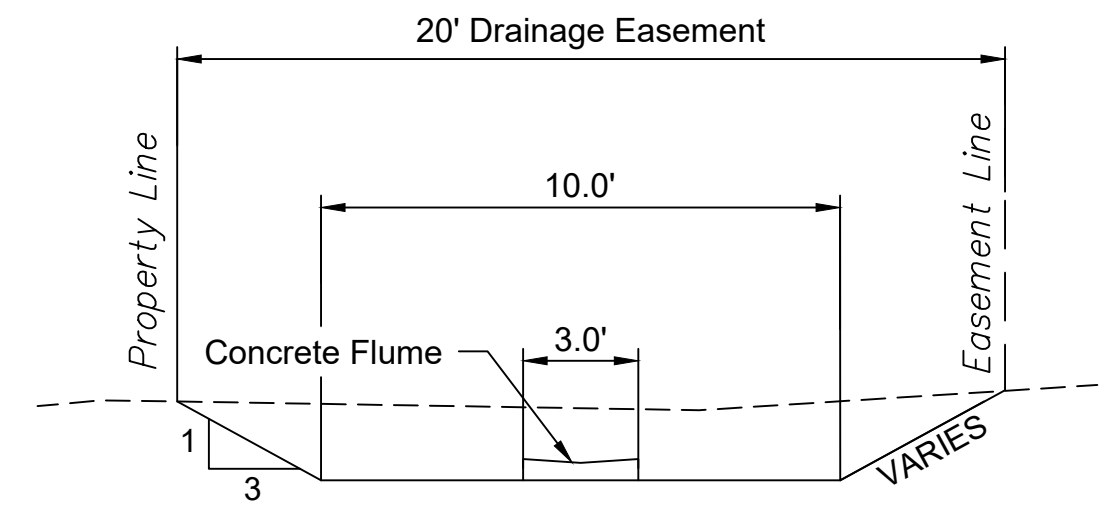
© 2021 GARVER, LLC
 THIS DOCUMENT, ALONG WITH THE IDEAS AND DESIGNS CONVEYED HEREIN, SHALL BE CONSIDERED INSTRUMENTS OF PROFESSIONAL SERVICE AND ARE PROPERTY OF GARVER, LLC. ANY USE, REPRODUCTION, OR DISTRIBUTION OF THIS DOCUMENT, ALONG WITH THE IDEAS AND DESIGNS CONTAINED HEREIN, IS PROHIBITED UNLESS AUTHORIZED IN WRITING BY GARVER, LLC OR EXPLICITLY ALLOWED IN THE GOVERNING PROFESSIONAL SERVICES AGREEMENT FOR THIS WORK.

1995 Midfield Road
 Wichita, KS 67209
 (316) 264-8008

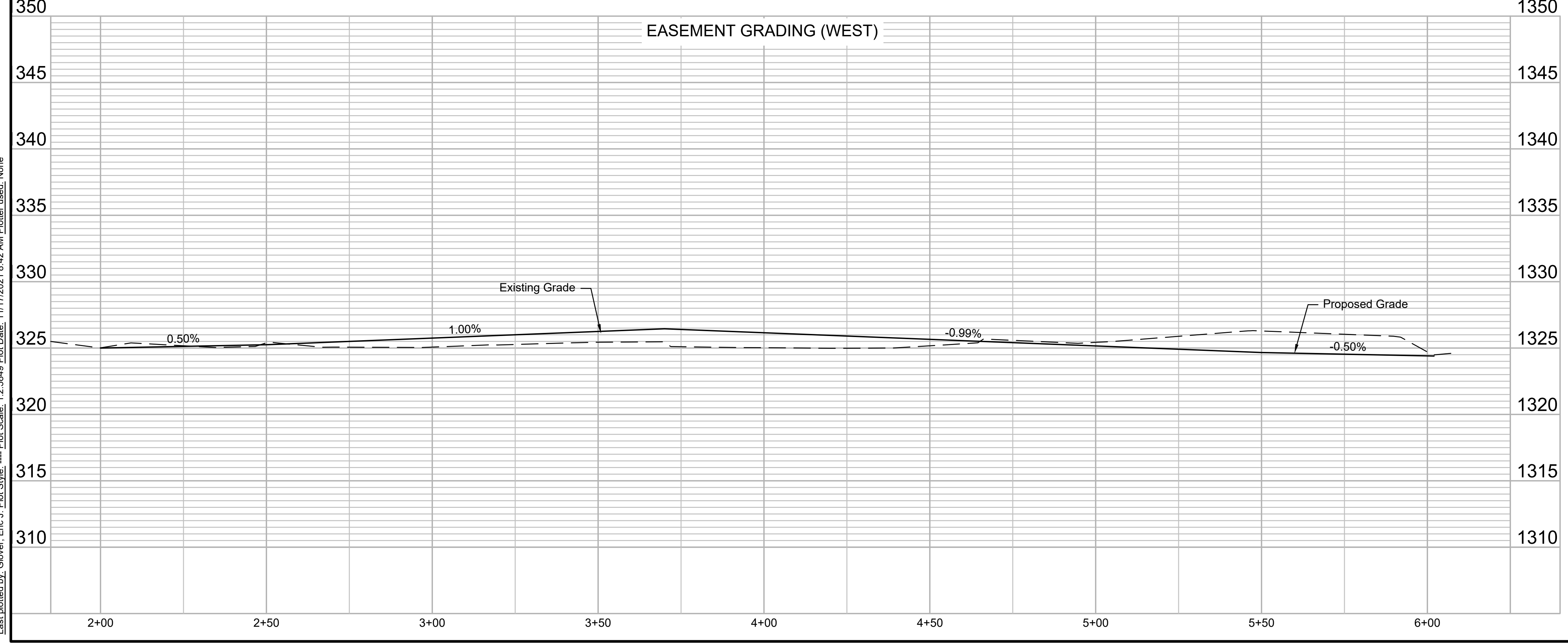


CONCRETE FLUME DETAIL
 NOT TO SCALE

- NOTES:
 1. CONSTRUCTION JOINTS SPACED @ 25'
 (CONSTRUCTION JOINTS MAY BE SAWN JOINTS)
 2. NOTE: EARTHWORK SHALL BE FILLED OR EXCAVATED TO ENSURE FLUME MEETS PROPOSED ELEVATIONS.



EASEMENT GRADING (WEST)



REV.	DATE	DESCRIPTION	BY

CITY OF WICHITA
 WICHITA, KANSAS

PAVING PLANS
 EMERALD BAY 4TH, PHASE 3

EASEMENT GRADING (WEST)

JOB NO.: 21T41004
 DATE: NOV. 2021
 DESIGNED BY: .
 DRAWN BY: .

BAR IS ONE INCH ON ORIGINAL DRAWING
 0 1" IF NOT ONE INCH ON THIS SHEET, ADJUST SCALES ACCORDINGLY.

File: L:\2021\12\14\1004 - Emerald Bay 4th Ph 3\Drawings\C3D\Paving\EASEMENT GRADING (WEST).dwg Last Save: 11/15/2021 3:32 PM Last saved by: MCarraPiedra
 Last plotted by: Glover, Eric J. Plot Style: --- Plot Scale: 1:2,5649 Plot Date: 11/17/2021 8:42 AM Plotter used: None